

ASSEMBLY INSTRUCTION

ITEM#

T512/T513-04

DESCRIPTION

END TABLE

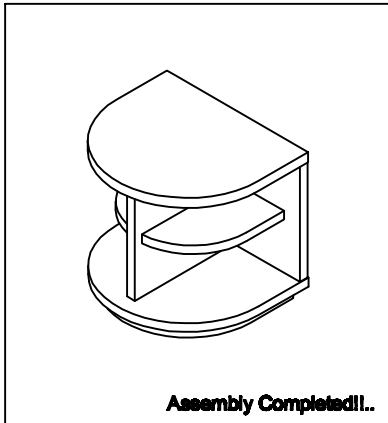
Thank you for purchasing this quality product. Be sure to check all packing material carefully for small parts which may have come loose inside the carton during shipment. Identify and count all parts and compare with Hardware/Parts Lists below:

HARDWARE LIST

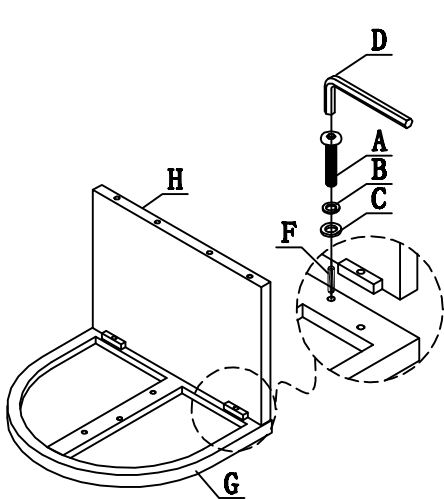
NO.	SKETCH	HARDWARE	Q' TY	NO.	SKETCH	HARDWARE	Q' TY
A		1/4**1-1/4" ALLEN BOLT	12	D		4mm ALLEN WRENCH	1
B		ø1/4" LOCK WASHER	14	E		1/4**2" ALLEN BOLT	2
C		ø1/4" FLAT WASHER	14	F		ø8/30mm DOWELL	8

PARTS LIST

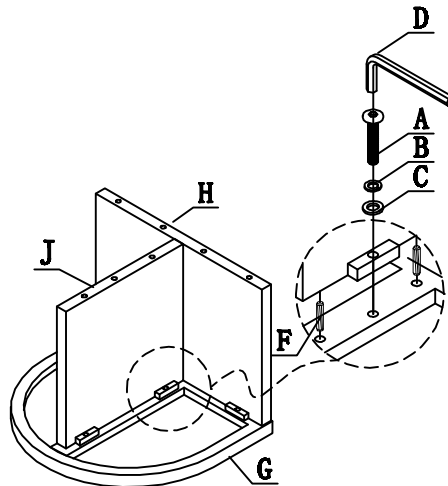
SKETCH						
DESCRIPTION	Table TOP	Back Panel	Middle Panel	Left Shelf	Right Shelf	Bottom Shelf



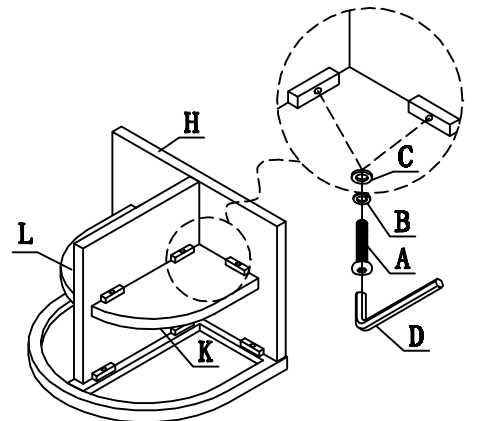
ASSEMBLY STEP



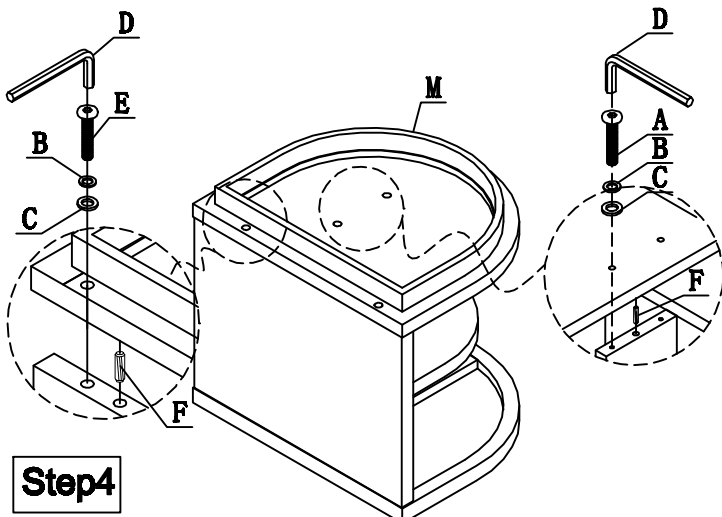
Step1



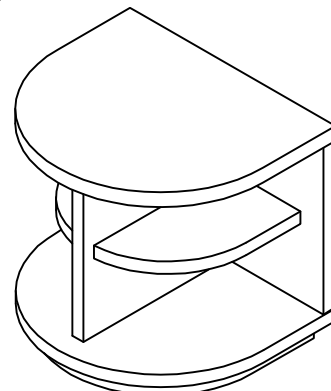
Step2



Step3



Step4



Step5