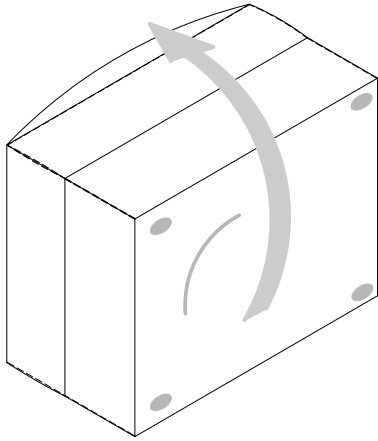


Leg Assembly Instructions

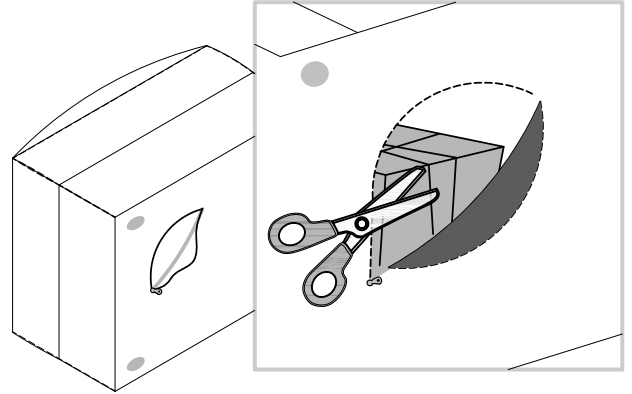
Made in China

STEP 1



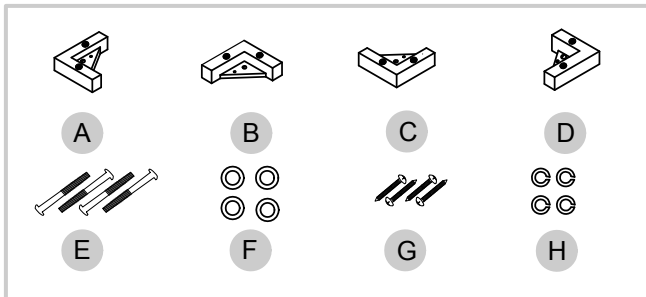
STEP 2

Unzip the storage compartment, cut the strap and remove the package.

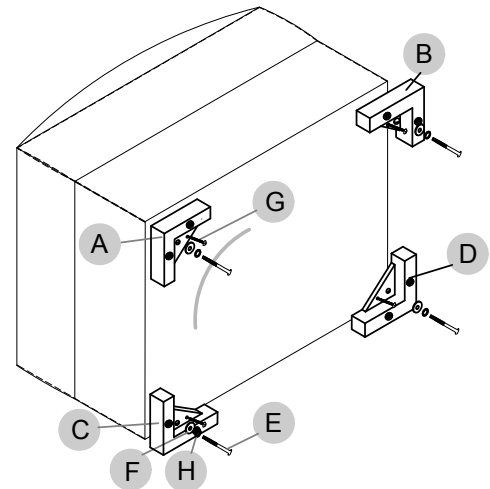


STEP 3

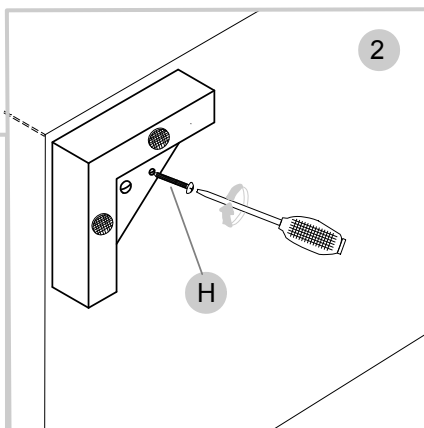
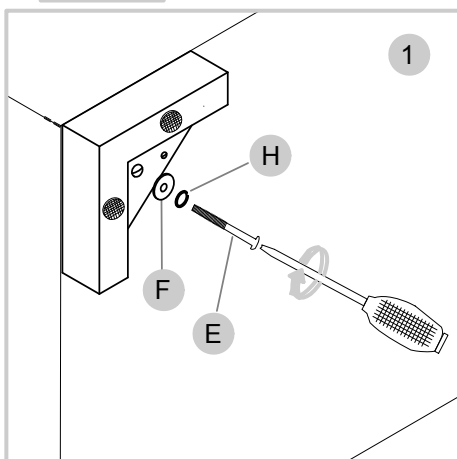
Unpack the parts package.



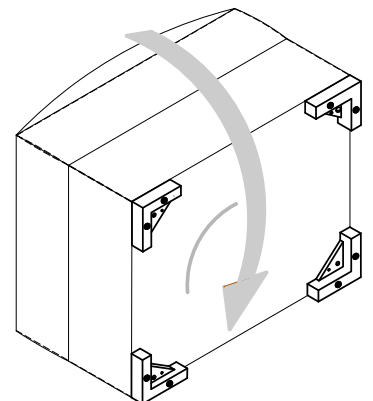
STEP 4



STEP 5



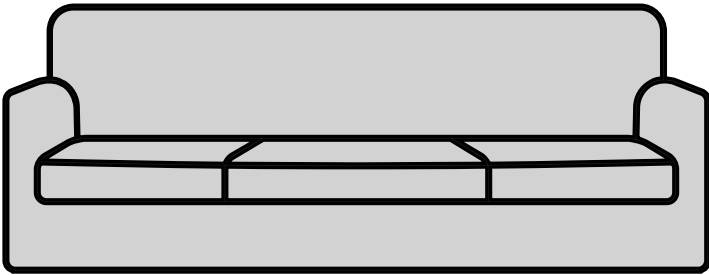
STEP 6



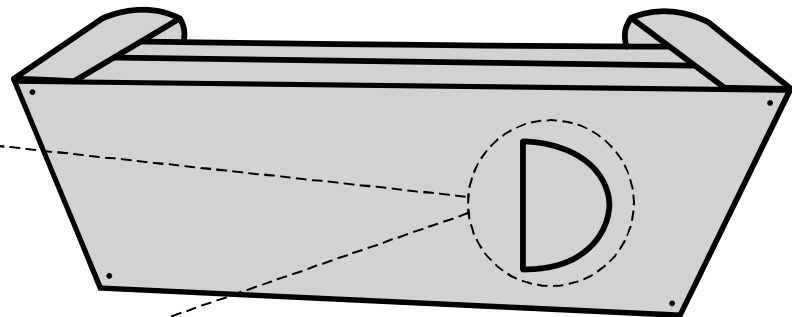
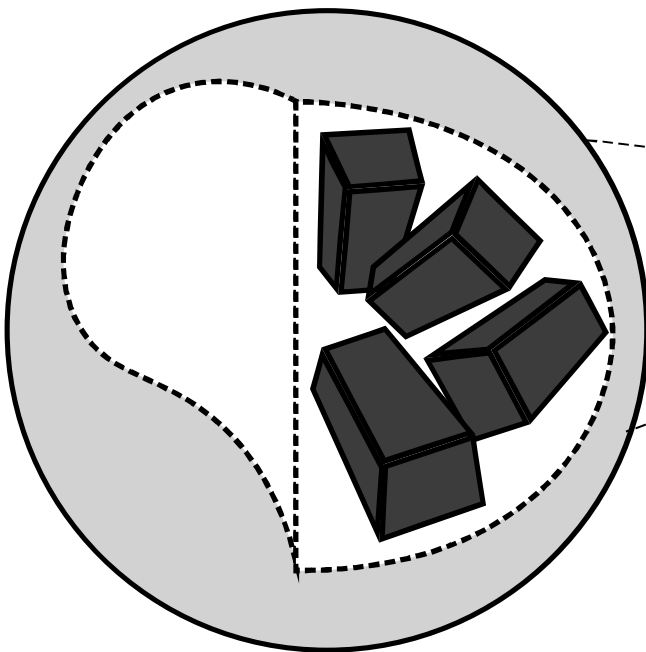
Leg Assembly Instructions

Made in China

How to Find Your Furniture Legs *Cómo encontrar las patas de su mueble*



Gently lay sofa/love seat on it's back
Coloque suavemente el sofá o el sofá de dos plazas sobre su respaldo



Locate the compartment underneath sofa/love seat
Encuentre el compartimento debajo del sofá

Open compartment to locate upholstery legs and assembly instructions
Habrá el compartimento para localizara las patas del sofá y las instrucciones de asamblea