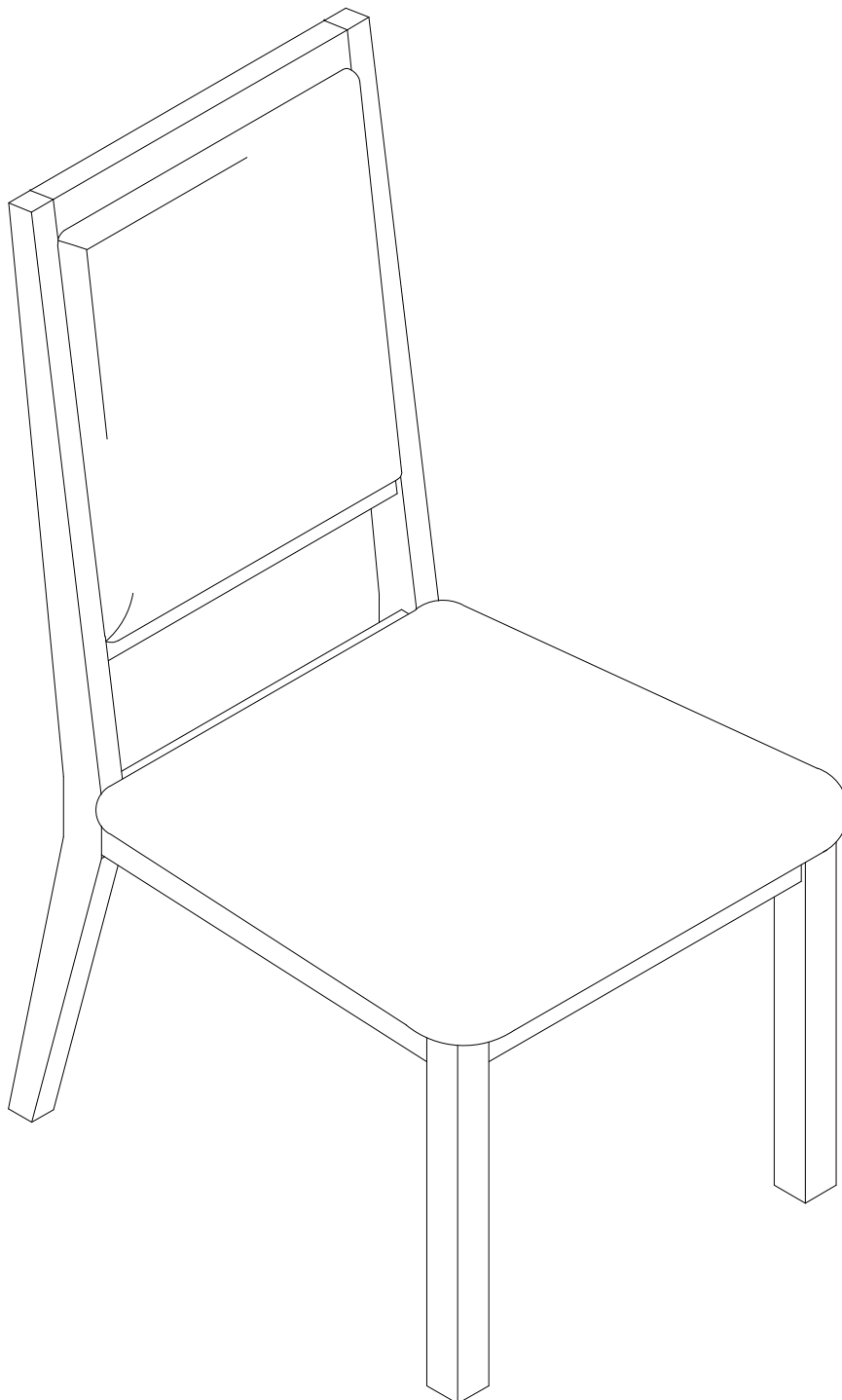
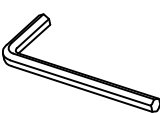
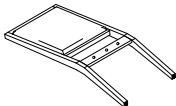
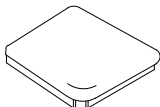
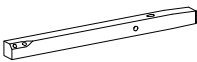


KAILANI DINING SIDE CHAIR

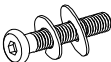
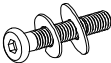
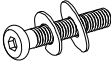
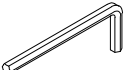
ITEM NO : D2107-227 SKU:323848



 X 2	 15 min	 X 1
---	---	--

PART	SKU#	IMAGE	DESCRIPTION	QTY
Ⓐ	323848-A-W (Walnut)		Chair Back	1
Ⓑ	323848-B-B (Beige)		Chair cushion	1
Ⓒ	323848-C-W (Walnut)		Chair Leg	2

Hardware List of Dining Chair W / Uph Seat

PART	SKU#	IMAGE	DESCRIPTION	QTY
①	318063-1(4)		Bolts M4*Ø1/4*80mm	4
②	318063-2(4)		Bolts M4*Ø1/4*60mm	4
③	318063-3(2)		Bolts M4*Ø1/4*38mm	2
④	318063-4(1)		Allen key M4	1

Note: Screwdriver will be prepared by yourself.

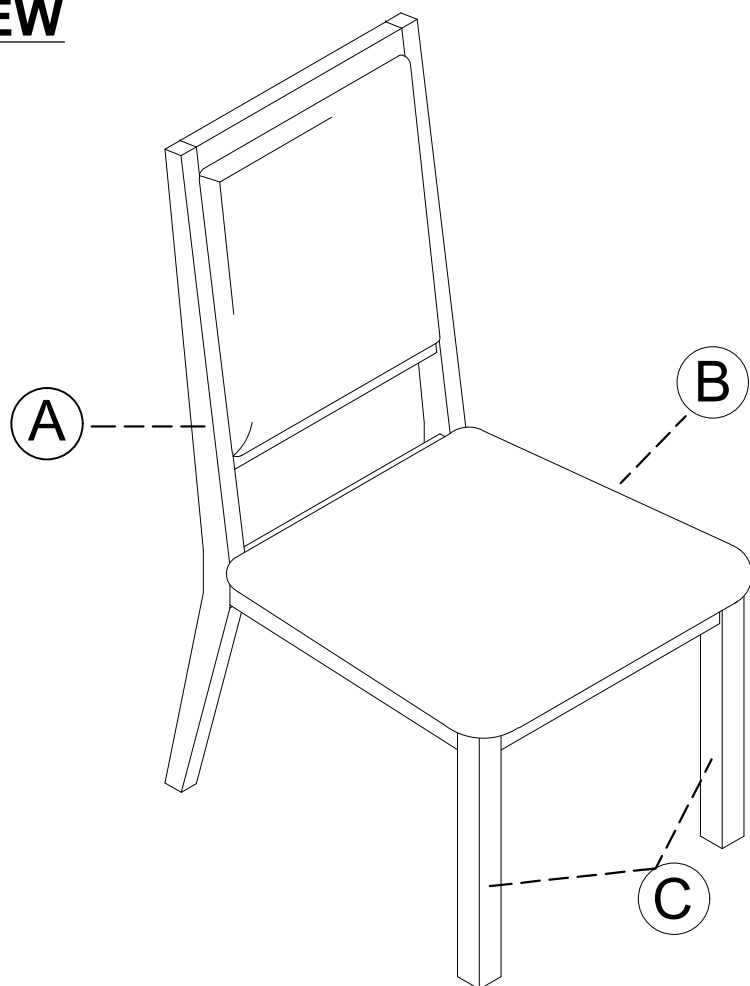
THE HARDWARE IS LOCATED IN THE PACKING ITEM

NOTE: MUST TIGHTEN SCREWS PERIODIACLLY. WITH USE SCREW MAY ENCOME LOOSE CHECK TIGHTNESS OF ALL SCREWS EVERY 6-8 WEEKS.

CLEANING INSTRUCTIONS:

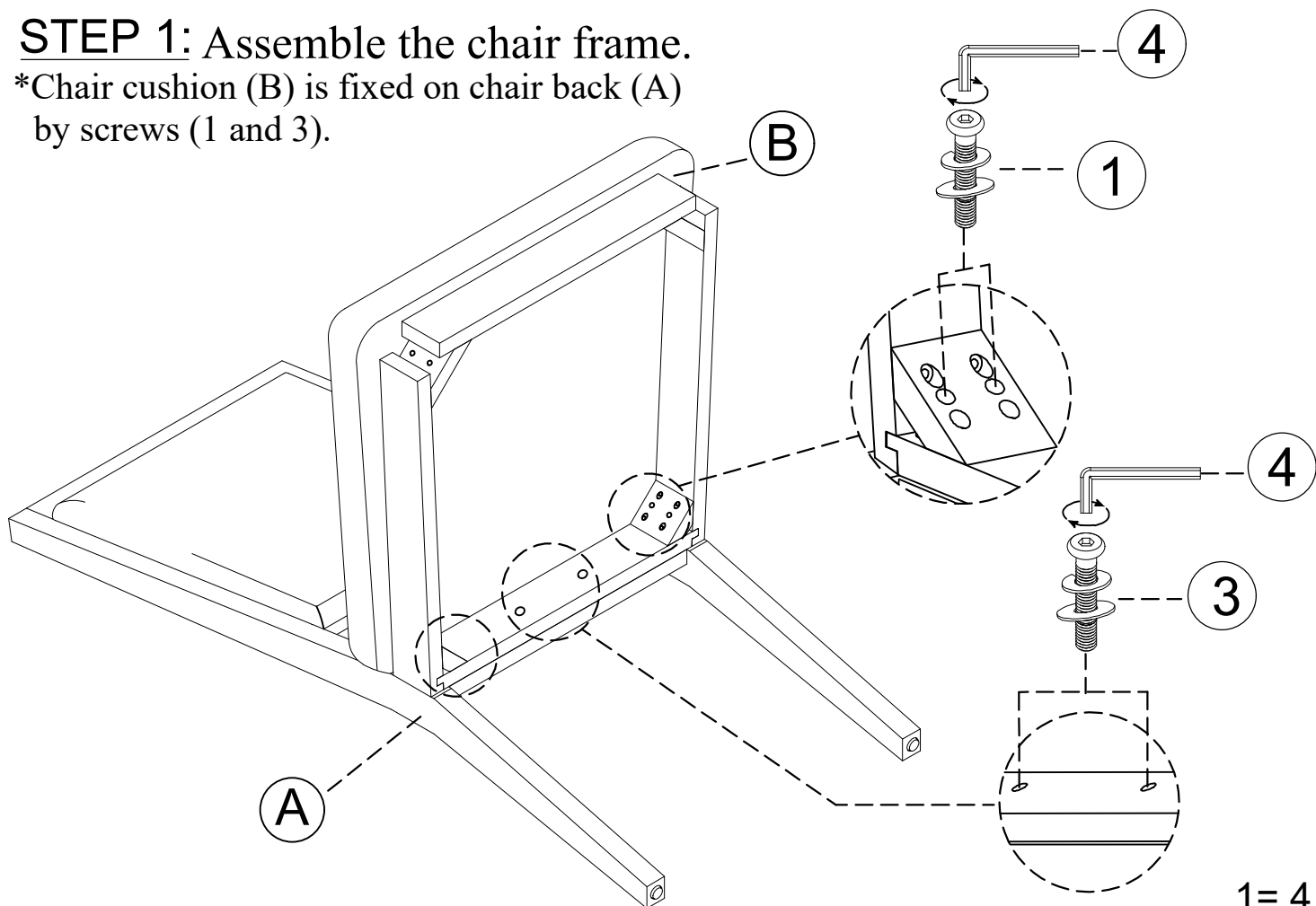
After assembly, clean and polish the completed parts if necessary with soft cloth and industrial recognized furniture polish.

DETAIL VIEW



STEP 1: Assemble the chair frame.

*Chair cushion (B) is fixed on chair back (A) by screws (1 and 3).

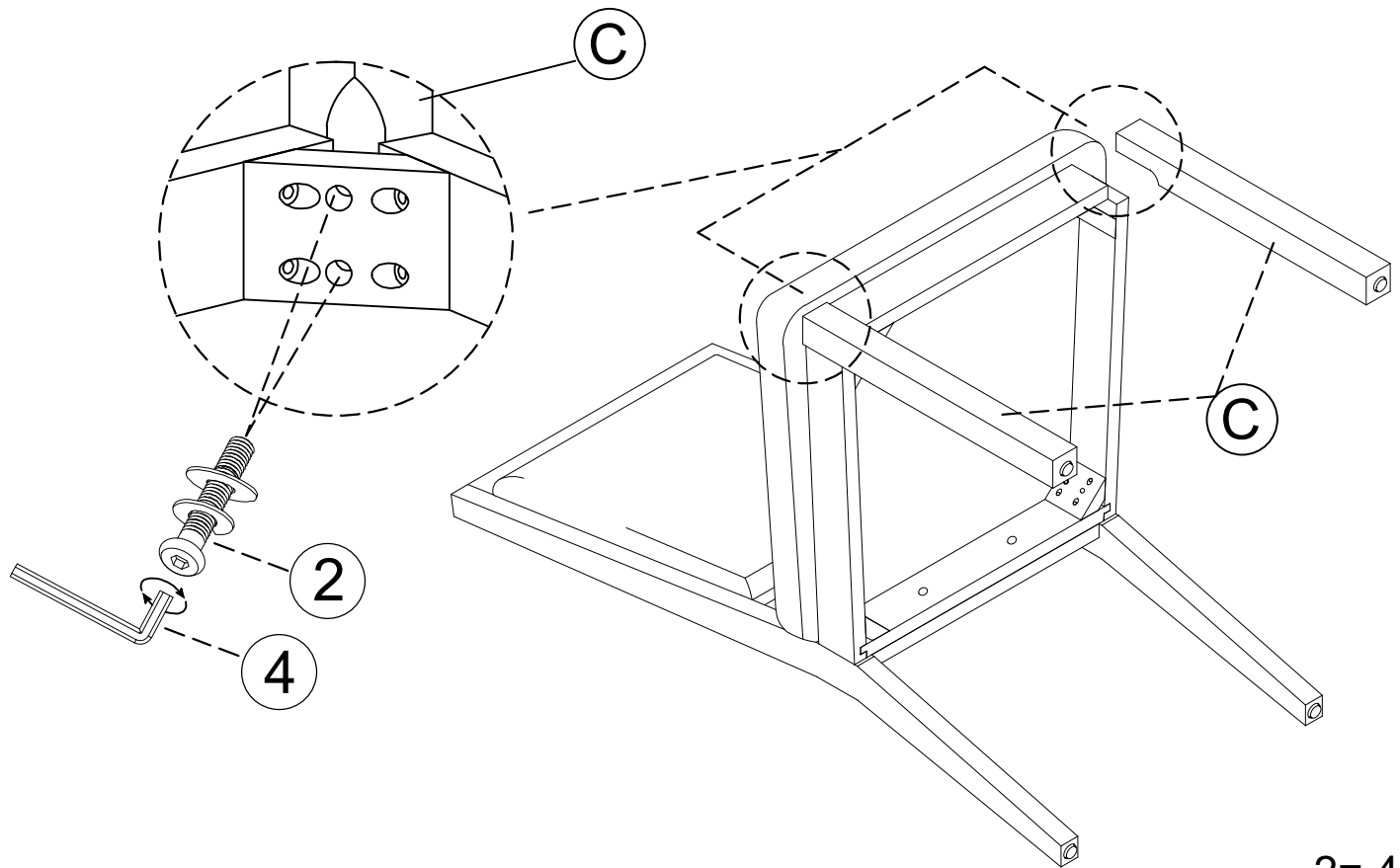


3

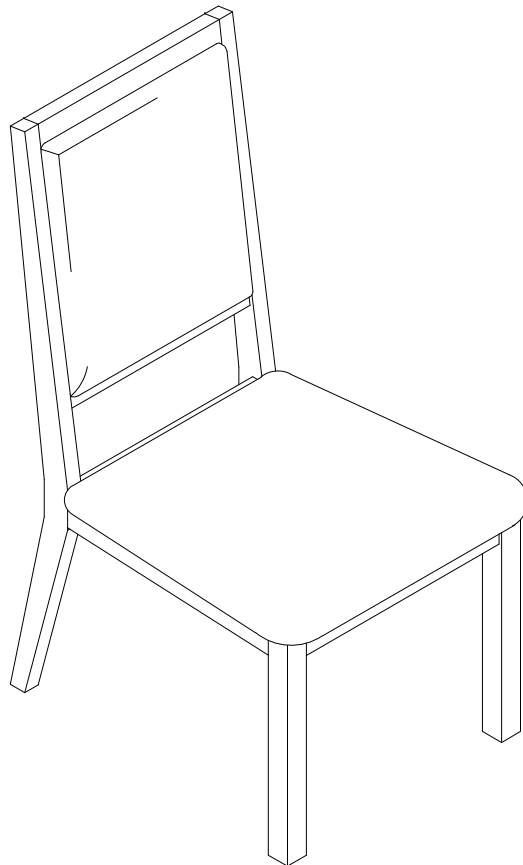
1= 4 pcs
3= 2 pcs

STEP 2: Assembly of the front leg.

*Fix leg (C) using screw(2).



2= 4 pcs



***That's it ! You've finished
assembling your item. Thank you!***