

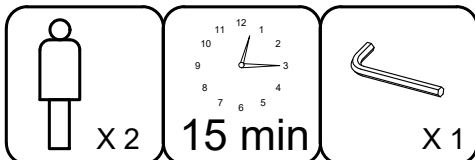
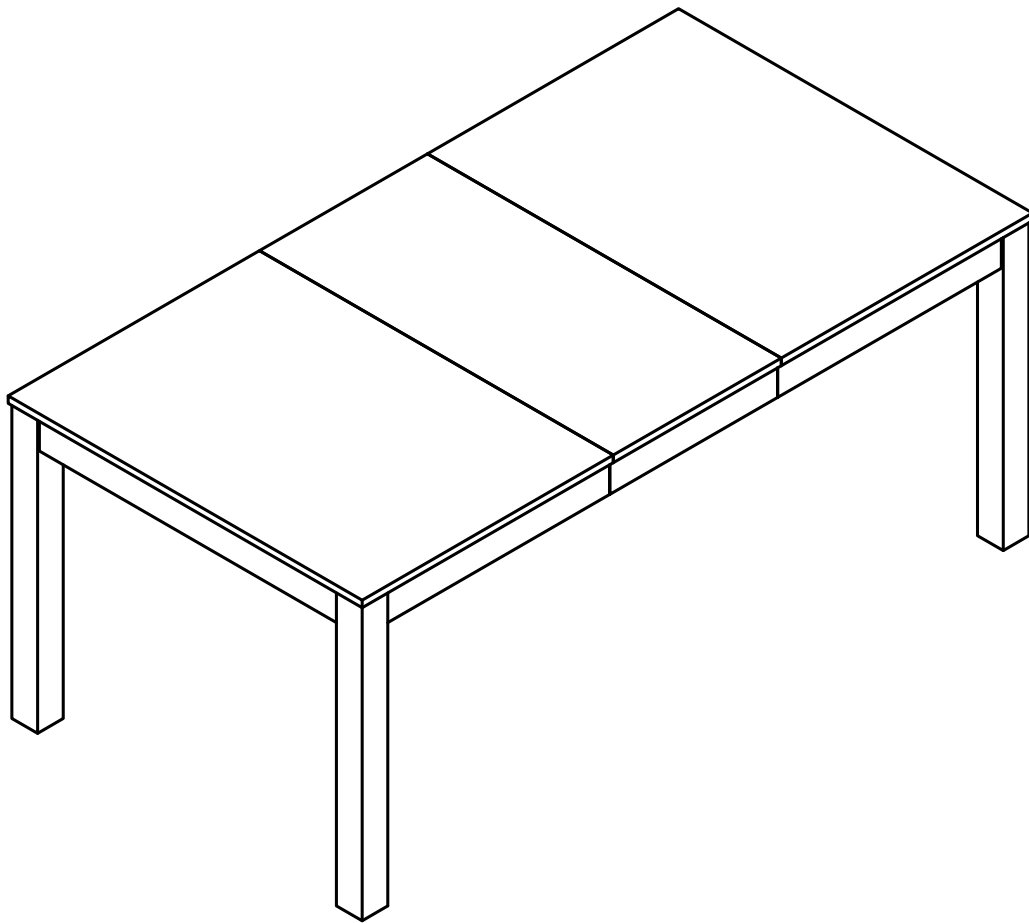



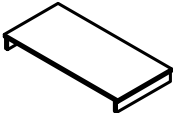

LIVING SPACES

ASSEMBLY INSTRUCTIONS

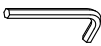



ORTA 54-72" EXT. DINING TABLE

ITEM: D2111-223 SKU:323811



PART	SKU#	IMAGE	DESCRIPTION	QTY
Ⓐ	323811-A		TABLE TOP	1
Ⓑ	323811-B		LEAF	1
Ⓒ	323811-C		LEGS	4

Hardware list of *ORTA 54-72" EXT. DINING TABLE*

PART	SKU#	IMAGE	DESCRIPTION	QTY
①	323811-4(1)		Allen key 60x22x4mm	1
②	323811-2(8)		Spring washer Ø5/16"x13	8
③	323811-3(8)		Flat washer Ø5/16"x19	8
④	323811-1(8)		Bolt 5/16"x60mm	8

Note: Screwdriver will be prepared by yourself.

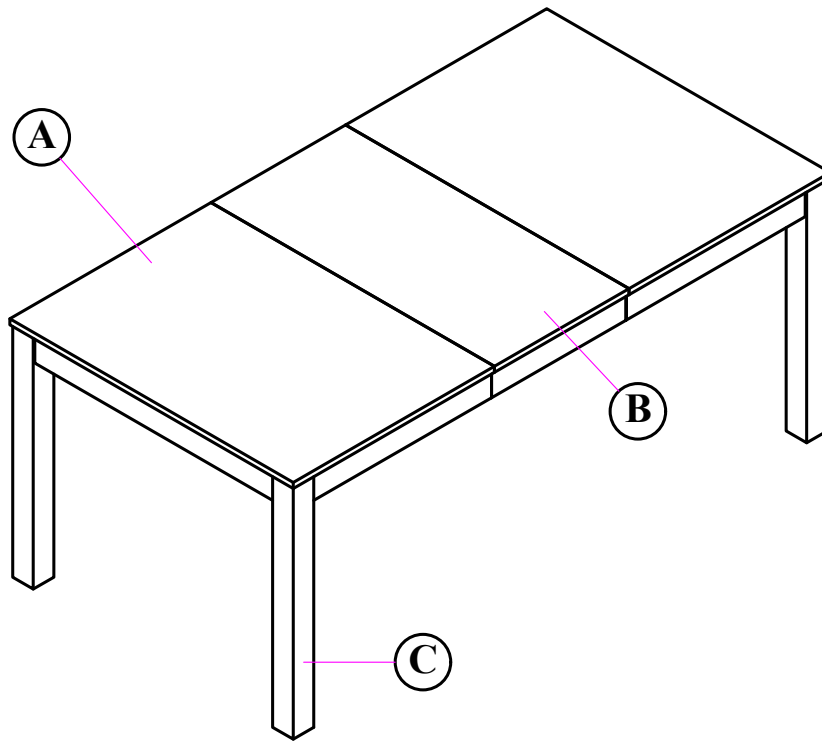
THE HARD WARE IS LOCATED IN THE PACKING ITEM

NOTE: MUST TIGHTEN SCREWS PERIODIACLLY. WITH USE SCREW MAY ENCOME LOOSE CHECK TIGHTNESS OF ALL SCREWS EVERY 6-8 WEEKS.

CLEANING INSTRUCTIONS:

After assembly, clean and polish the completed parts if necessary with soft cloth and industrial recognized furniture polish.

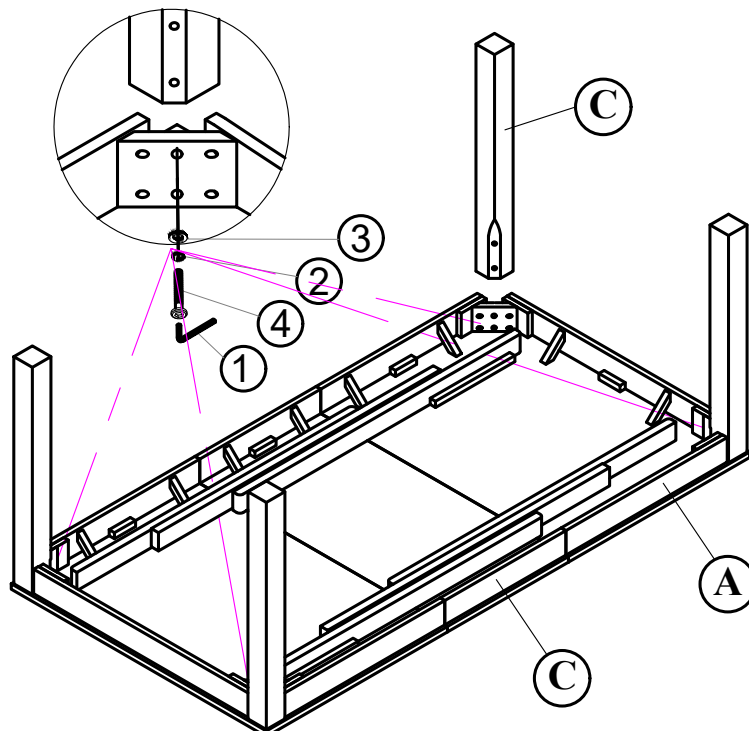
DETAIL VIEW



STEP 1:

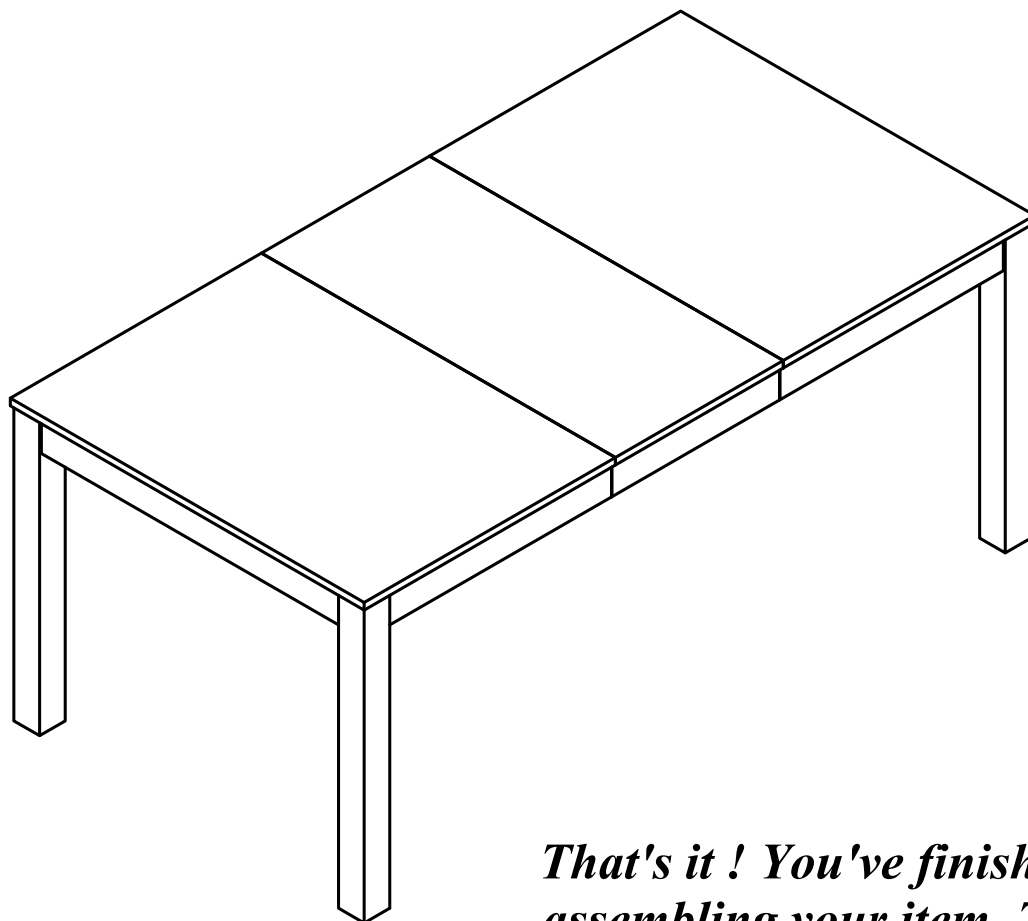
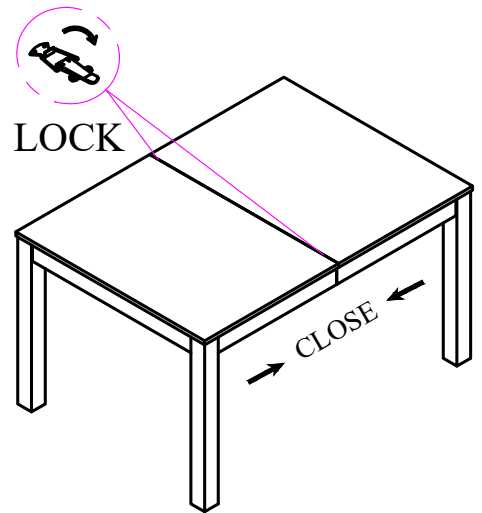
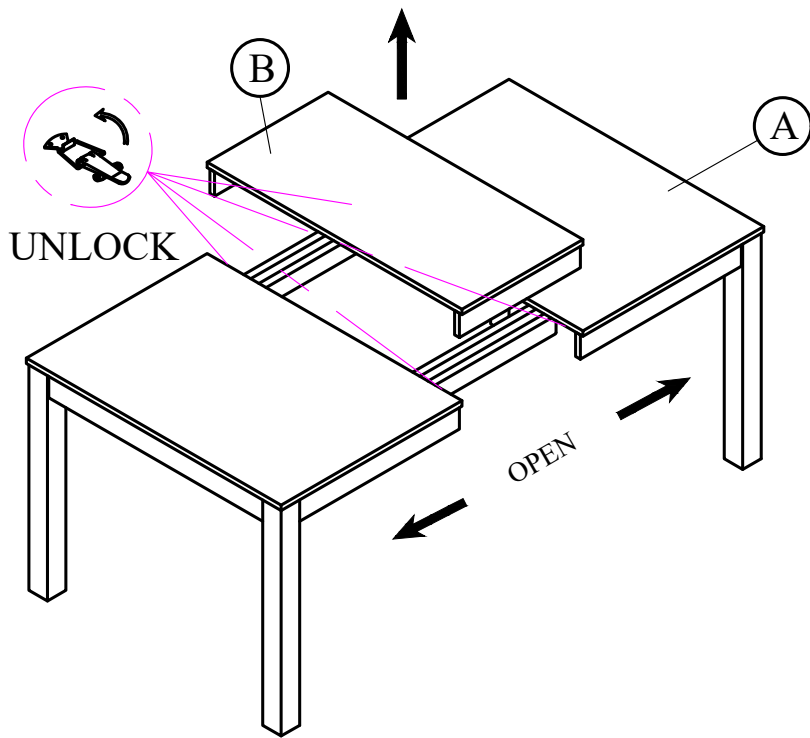
* Attach the Legs (C) to Table Top (A) and Leaf (B) by using Flat Washer (3), Spring Washer (2), Bolt (4) and tighten with Allen Key (1).

Notice: Put the Table top (A) on soft carpet to protect product.



STEP 2:

* To remove the Leaf (B) on Table top (A)



*That's it ! You've finished
assembling your item. Thank you!*