
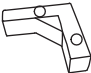


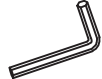


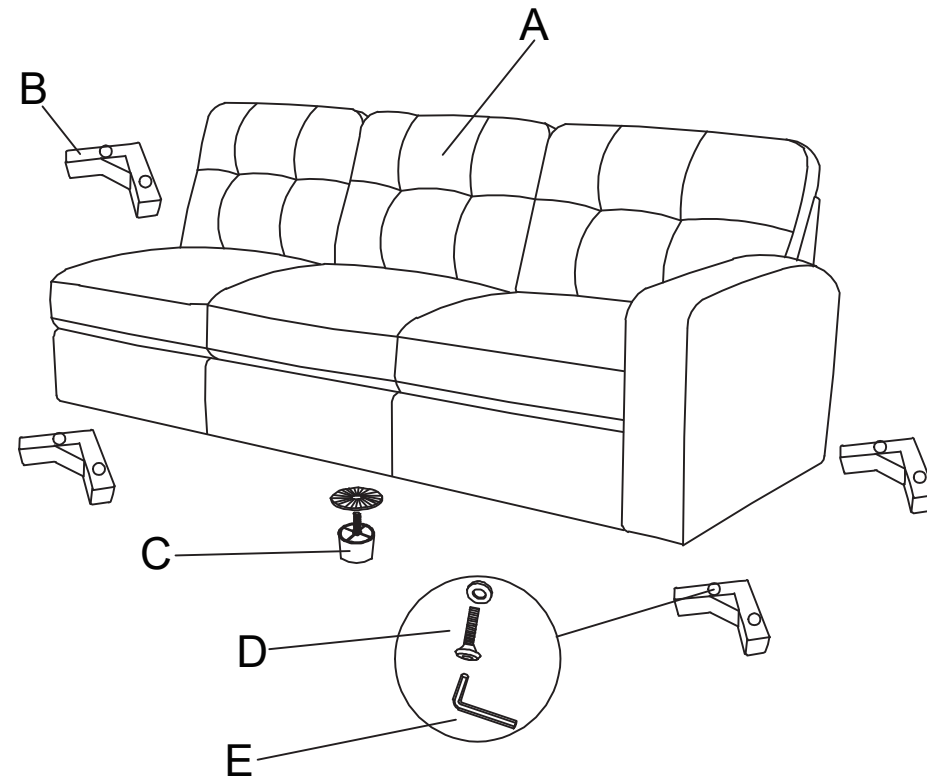
**PARTS LIST**

No.	DESCRIPTION	IMAGE	Q'TY
A	RAF SOFA		1
B	WOOD LEG		4
C	PLASTIC LEG		1
D	SCREW		8
E	WRENCH		1

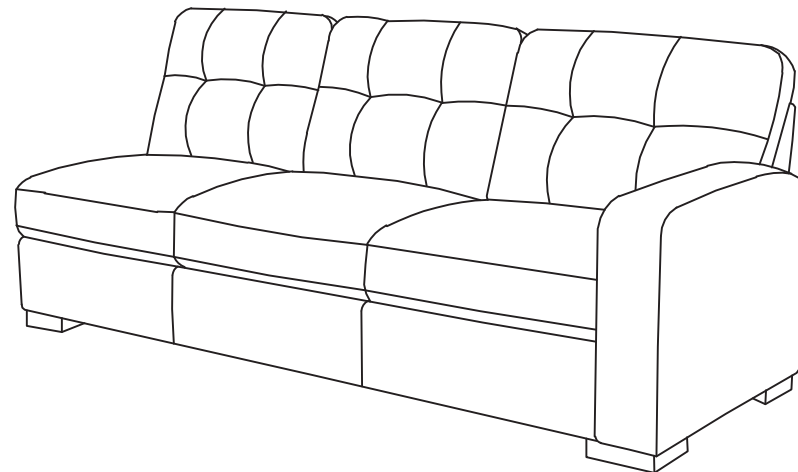
**NOTE:** PO # is located underneath/ at the back side of each item. Please be prepared to provide this # should any claim be necessary.

**CAUTION:** Item is heavy. Assembly should be performed by two people.

**1**



**2**



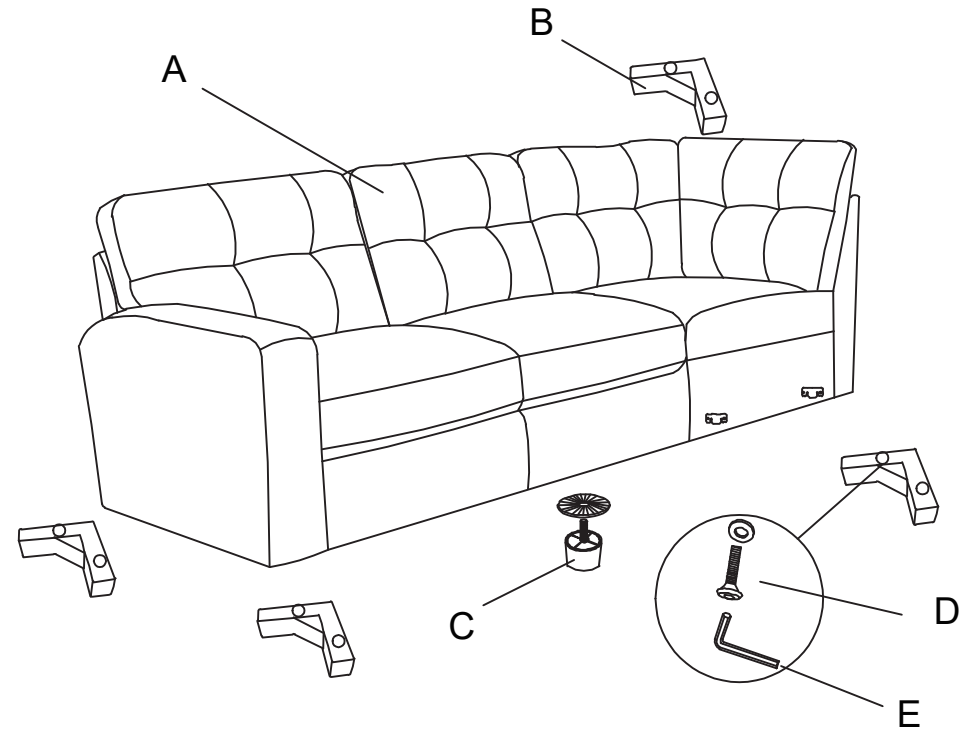
**PARTS LIST**

No.	DESCRIPTION	IMAGE	Q'TY
A	LAF SOFA		1
B	WOOD LEG		4
C	PLASTIC LEG		1
D	SCREW		8
E	WRENCH		1

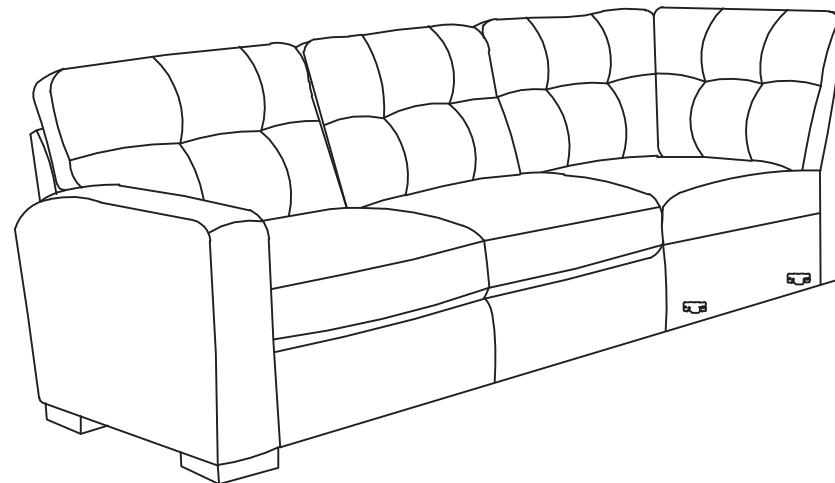
**NOTE:** PO # is located underneath/ at the back side of each item. Please be prepared to provide this # should any claim be necessary.

**CAUTION:** Item is heavy. Assembly should be performed by two people.

**1**



**2**



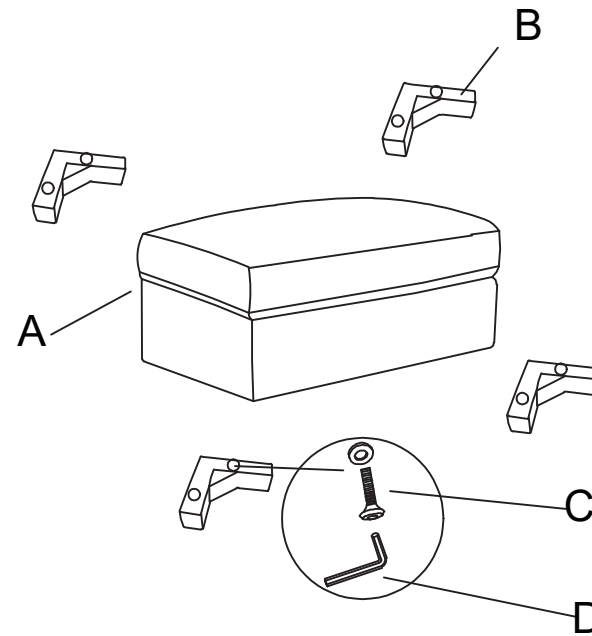
**PARTS LIST**

No.	DESCRIPTION	IMAGE	Q'TY
A	OTTOMAN		1
B	WOOD LEG		4
C	SCREW		8
D	WRENCH		1

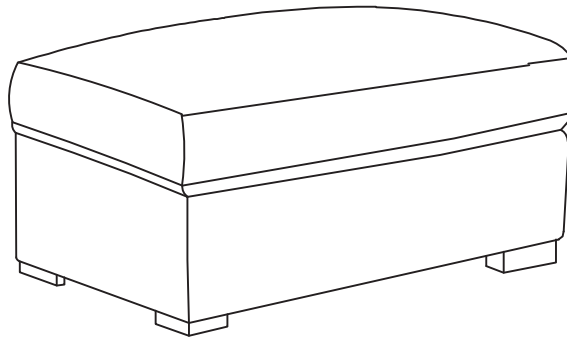
**NOTE:** PO # is located underneath/ at the back side of each item. Please be prepared to provide this # should any claim be necessary.

**CAUTION:** Item is heavy. Assembly should be performed by two people.

1



2



3

