



**Parker House**  
FURNITURE

# Assembly Instruction

Item No : DOM#84

Description : 84 IN CONSOLE WITH 4 DOORS

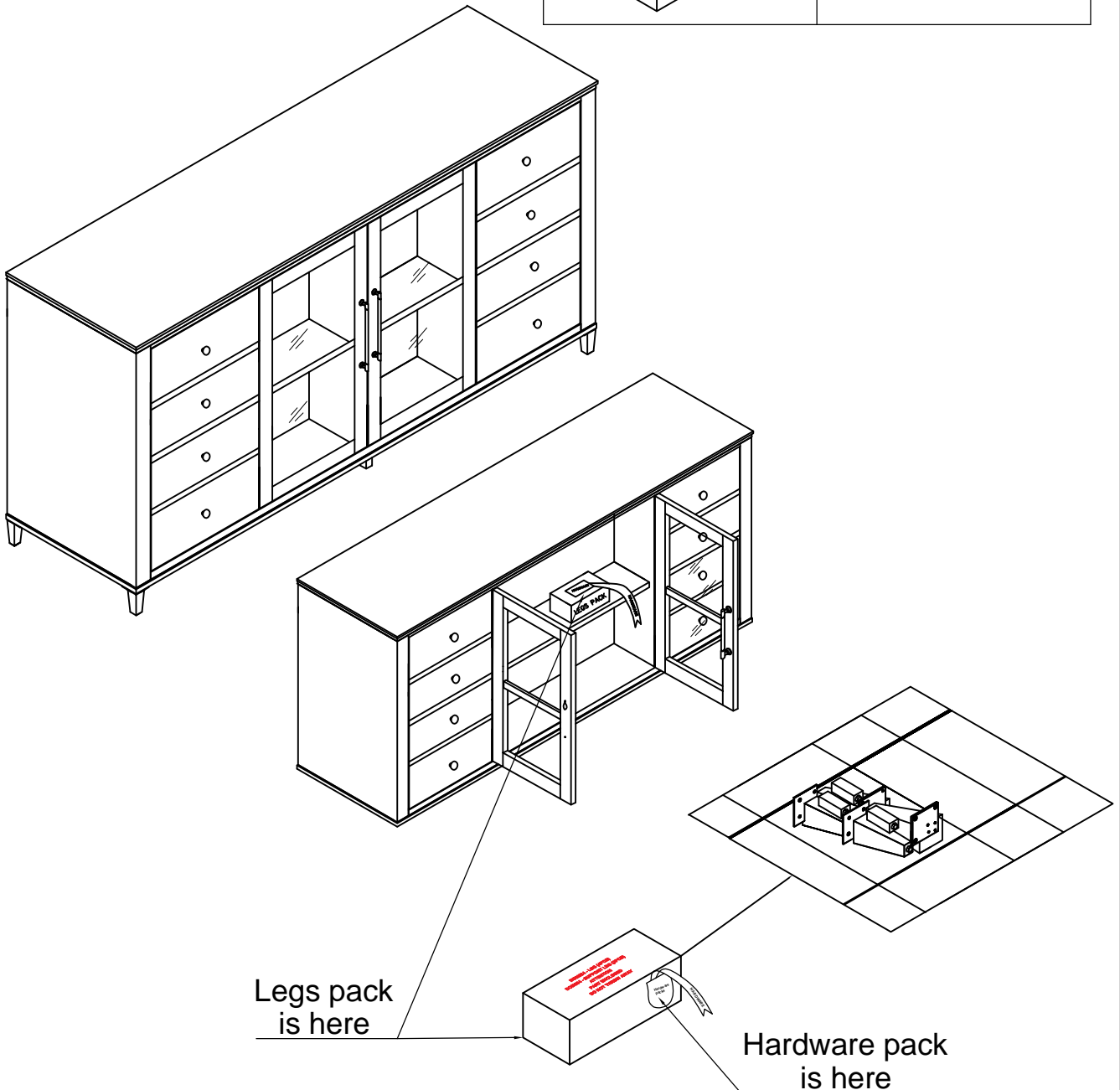
2022-05-11

## HARDWARE LIST

NO	Description	Sketch	QTY
A	Anti-tip Hardware		2pcs
B	Allen Wrench 5mm		1pcs
C	Lock Washer 5/16*Ø12*2mm		12pcs
D	Flat Washer 5/16*Ø20*1.5mm		12pcs
E	Allen Bolt 5/16*3/4"		12pcs

## PART LIST

CABINET BODY:1PC		LEGS:4PCS	
①		②	
SUPPORT LEG :3PCS			
③			





Parker House  
FURNITURE

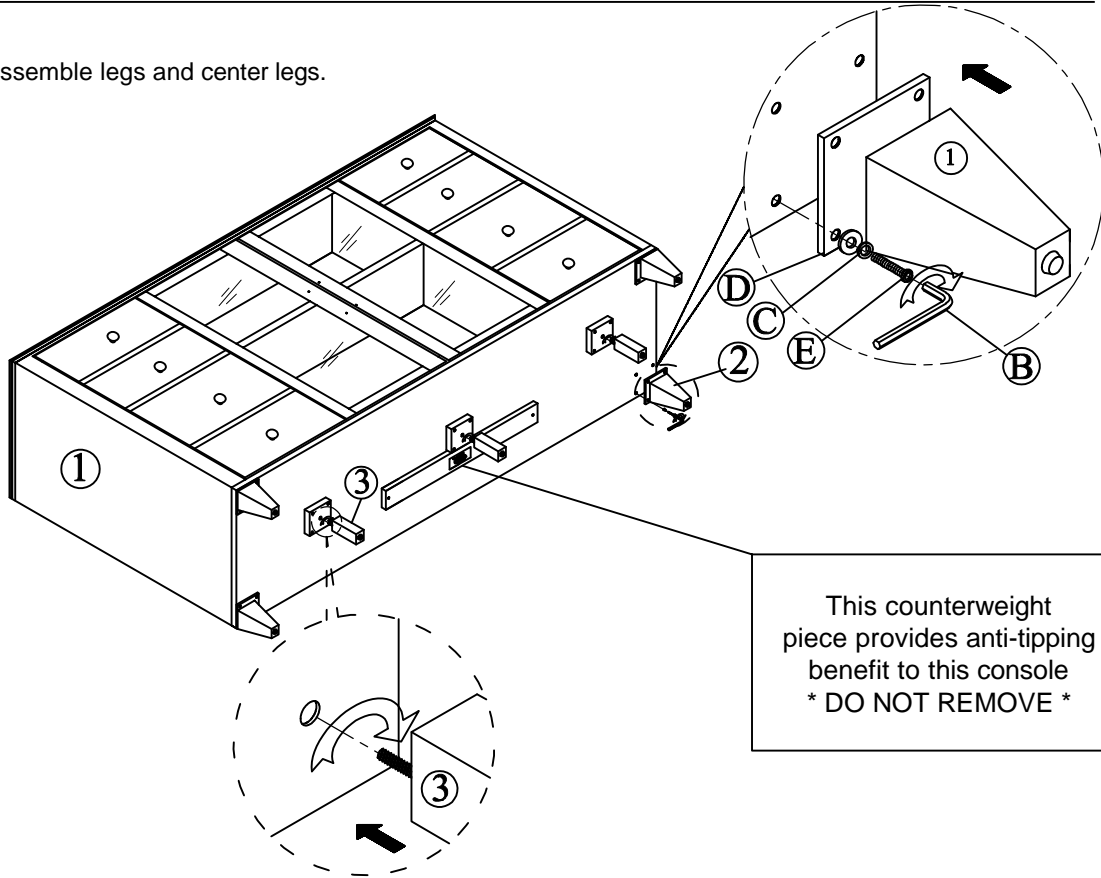
# Assembly Instruction

Item No : DOM#84

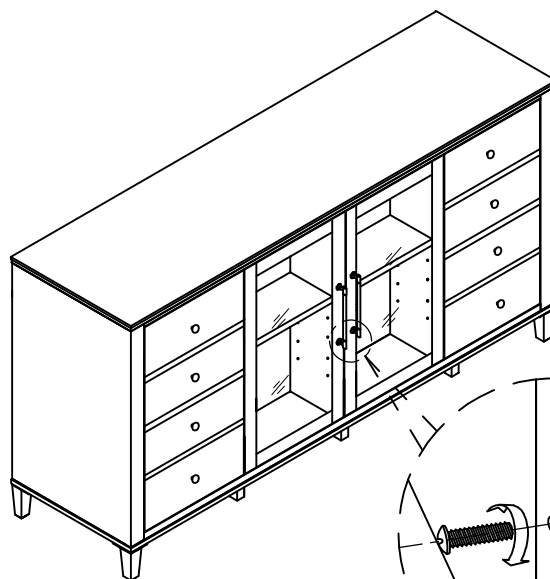
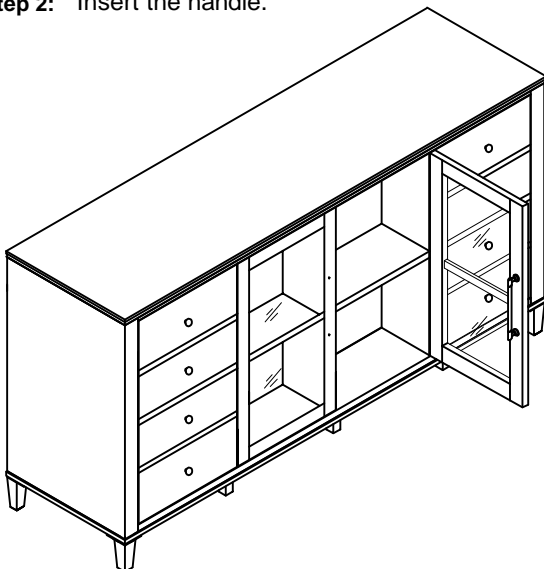
Description : 84 IN CONSOLE WITH 4 DOORS

2022-05-11

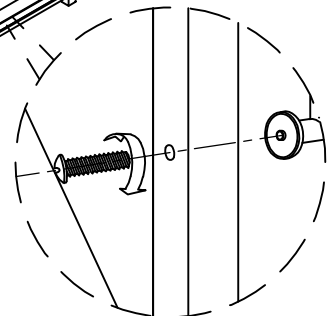
**Step 1:** Assemble legs and center legs.



**Step 2:** Insert the handle.



Open the doors, take off the handles installed on the back of door and reattach the handles on the front side as shown.





Parker House  
FURNITURE

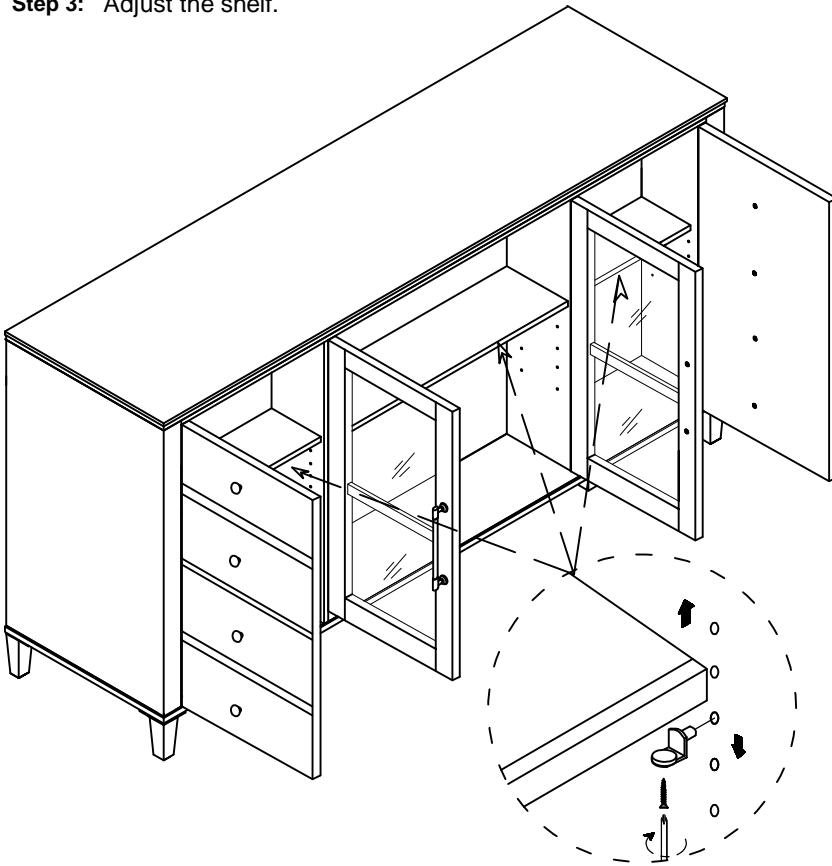
# Assembly Instruction

Item No : DOM#84

Description : 84 IN CONSOLE WITH 4 DOORS

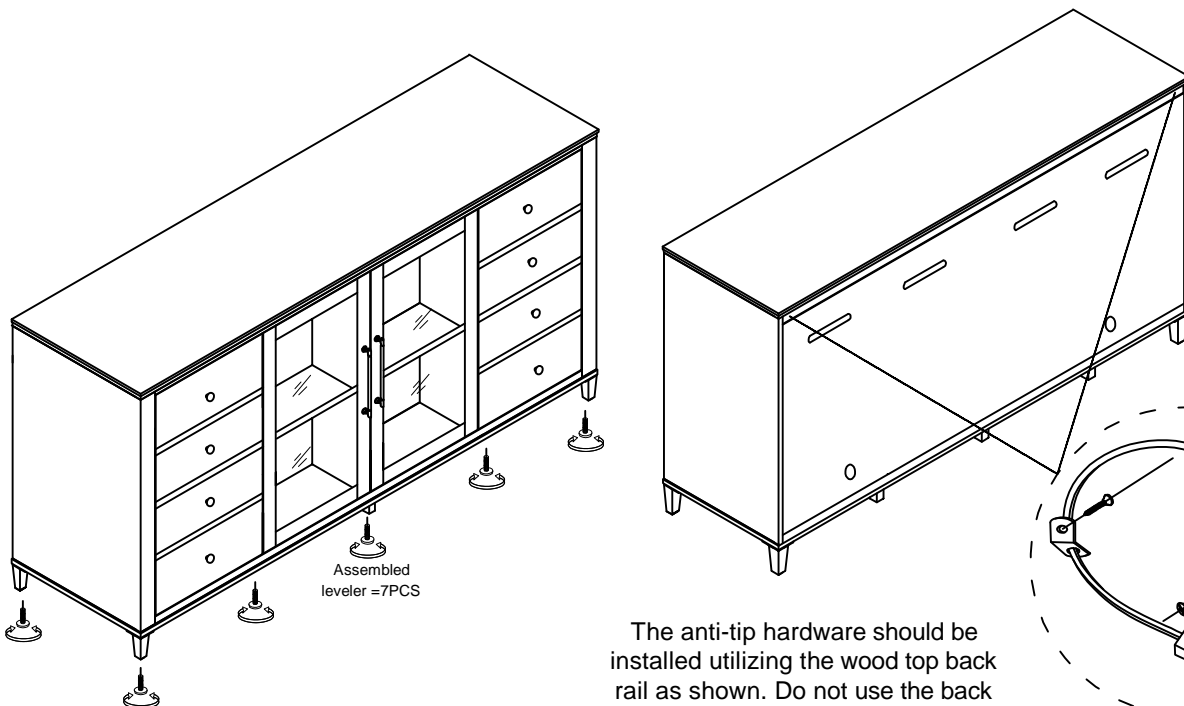
2022-05-11

**Step 3:** Adjust the shelf.



To adjust the shelf height, remove the four screws under each shelf pin. Once removed, place shelf pins at desired height and re-screw shelf pins.

**Step 4:** Adjust the leveler and assemble anti-tip hardware.



The anti-tip hardware should be installed utilizing the wood top back rail as shown. Do not use the back panel for anti-tip hardware installation.

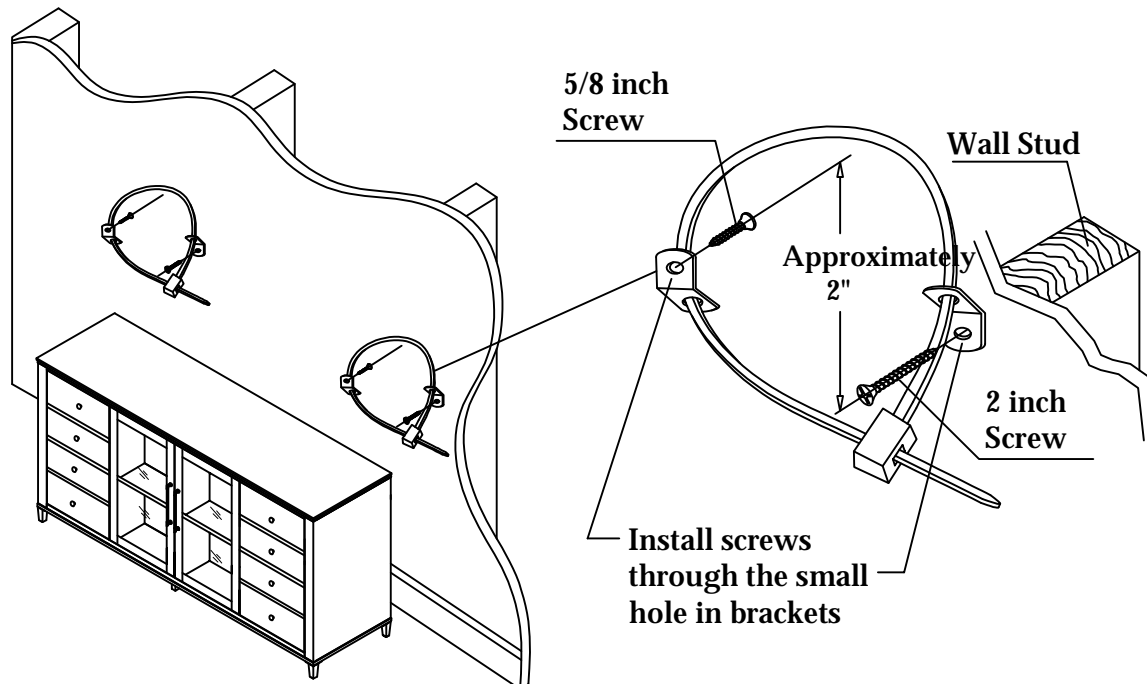


Parker House  
FURNITURE

# Anti-Tip Hardware Installation Instructions

2022-05-11

**Notice:** In homes where small children may be present, Parker House recommends that steps be taken for certain furniture items to prevent or minimize the risk of tip-over. This furniture is equipped with Tip-over Restraint Hardware for use to minimize this risk, if used. Please follow below installation steps. Parker House recommends that parents and guardians periodically visit the U.S. Consumer Product Safety Commission (CPSC) website at <http://www.cpsc.gov/> and stay up to date on all issues related to children's product safety.



1. Temporarily locate the furniture to near its final location in the room next to a wall. Locate a wall stud behind your furniture and also mark the stud's location on the back of your furniture.
2. Firmly attach one bracket to the stud approximately 2" below the top of the furniture with the 2 inch long Wood Screws provided. It may be necessary to drill 3/32 dia. pilot holes for the screws.
3. Firmly attach the other bracket onto a solid, structural part on the back of the furniture using the 5/8 inch long Wood Screws. It may also be necessary to pilot bore for these screws.
4. Move the furniture into its final position, taking care to line up the wall bracket with the furniture bracket. Thread a strap through the bracket as shown in the illustration. Tighten strap until snug but do not over tighten.

**Caution:** Parker House assumes no liability for improper installation or excessive loads placed on screws, brackets or straps. Failure to detach this restraint before moving furniture may result in personal injury and property damage.

**Warning:** This tip-over restraint is not to be a substitute for proper adult supervision. Do not allow children to climb on furniture. Items left on top of the TV and furniture, such as toys, remote controls, and treats might tempt young children to climb. Push the TV as far back as possible from the front of its stand. Place electrical cords out of a child's reach, and teach children not to play with the cords.