



LIVING SPACES

# Assembly Instruction

Item No: 323505

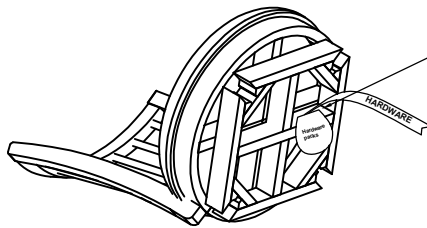
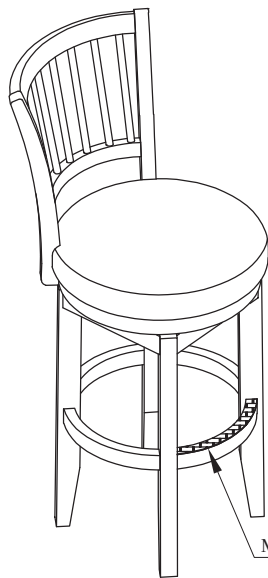
Description : Amery Spindle Back Swivel Bar Stool

## HARDWARE LIST

| No | Description           | Sketch | Q'TY |
|----|-----------------------|--------|------|
| A  | Allen Wrench 4mm      |        | 1PC  |
| B  | Bolt Ø1/4x60mm        |        | 8PCS |
| C  | Lock Washer Ø1/4x12mm |        | 8PCS |
| D  | Flat Washer Ø1/4x19mm |        | 8PCS |
| E  | Screw #4x45mm         |        | 8PCS |

## PARTS LIST

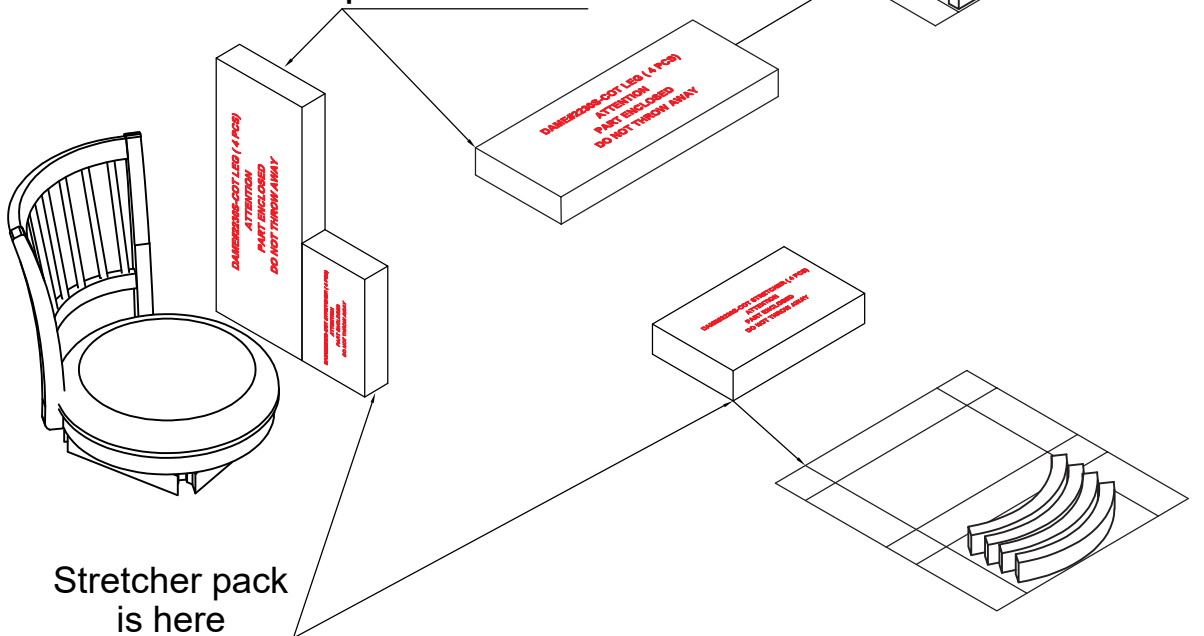
| SEAT FRAME (1PC) |  | LEG (4PCS)                       |  |
|------------------|--|----------------------------------|--|
| ①                |  | ②                                |  |
| STRETCHER (3PCS) |  | FRONT STRETCHER WITH METAL (1PC) |  |
| ③                |  | ④                                |  |



Hardware pack is screwed here

METAL BAR

Legs pack is here



Stretcher pack is here



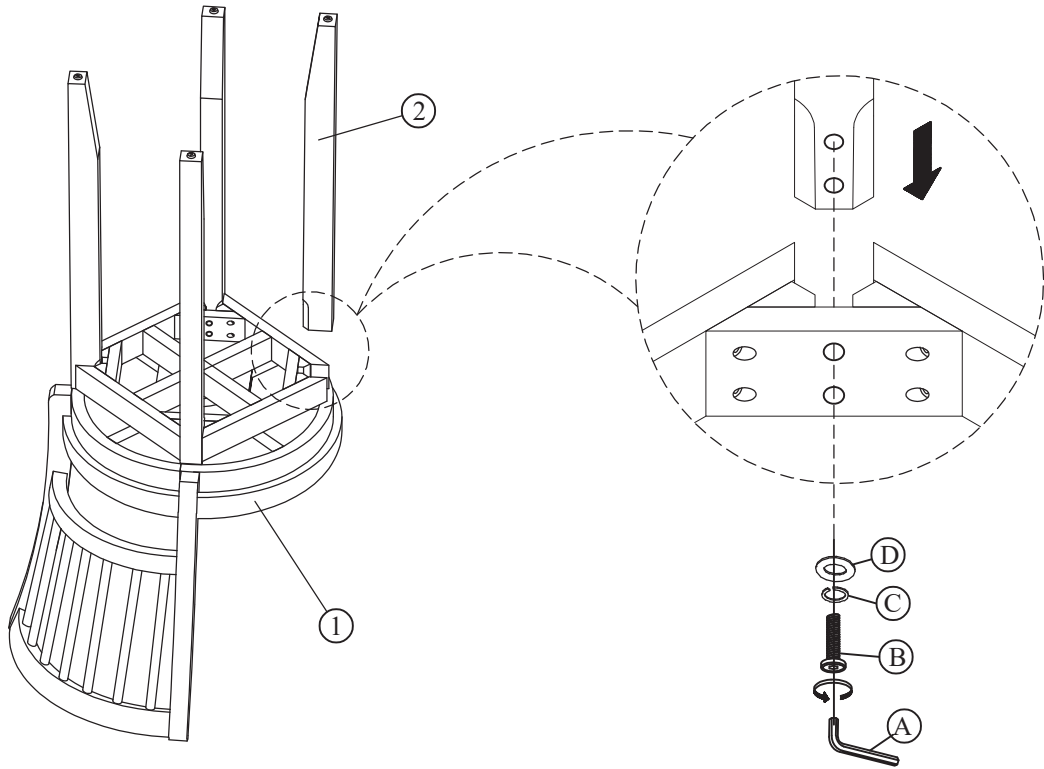
LIVING SPACES

## Assembly Instruction

Item No: 323505

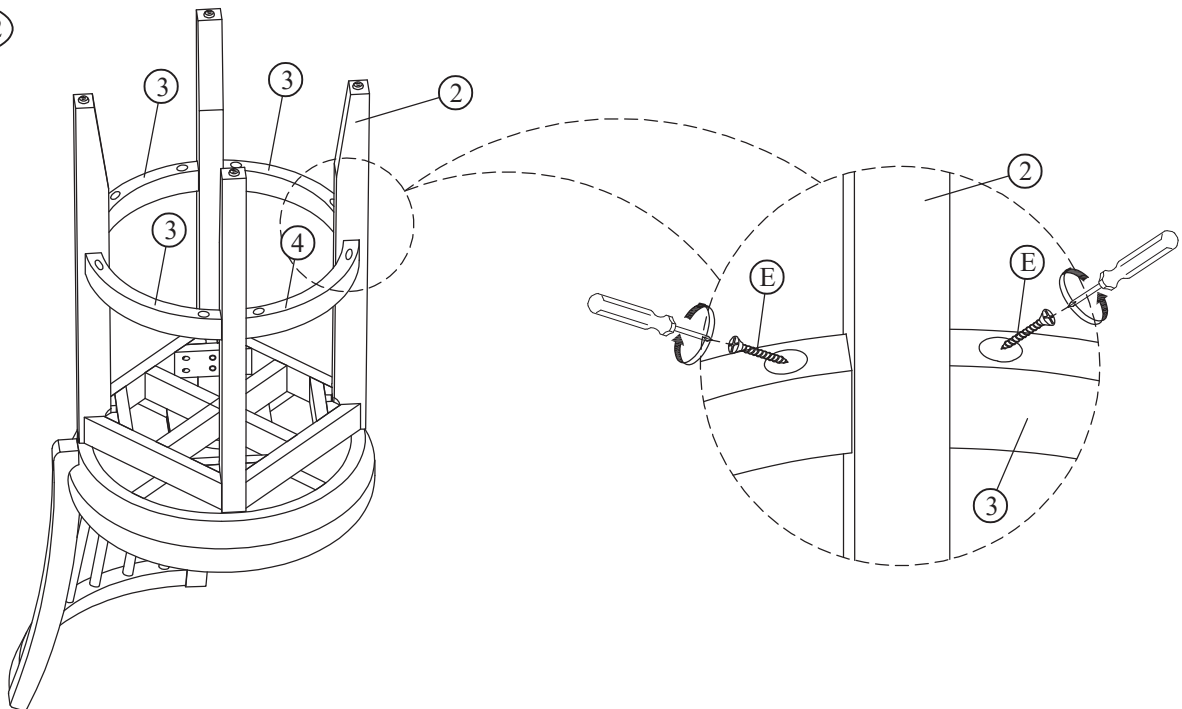
Description : Amery Spindle Back Swivel Bar Stool

STEP 1



\* Do not tighten bolts

STEP 2



\* Tighten all screws & bolts