








LIVING SPACES

AMERY

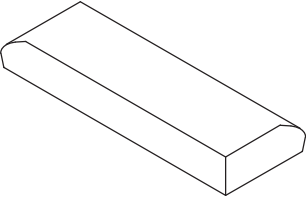
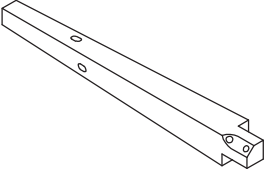
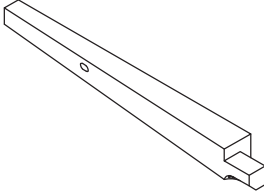
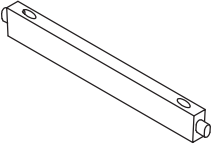
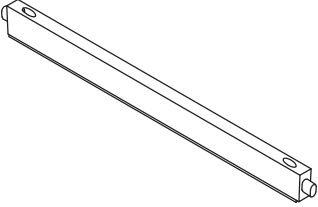
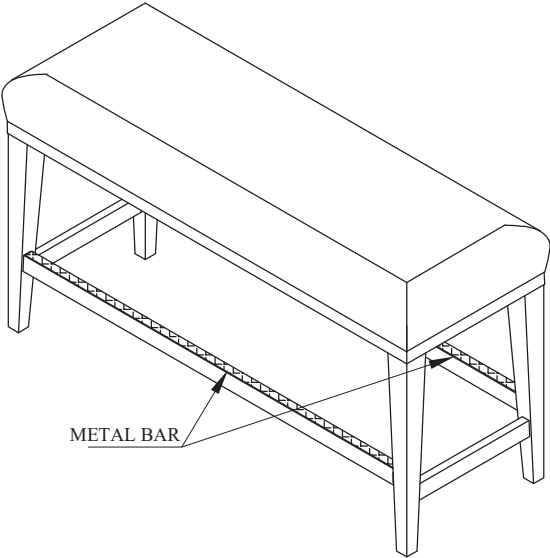
49" UPHOLSTERED COUNTER BENCH

SKU: 323500

HARDWARE LIST

No	Description	Sketch	Q'TY
A	Allen Wrench 4mm		1PC
B	Bolt Ø5/16x40mm		8PCS
C	Lock Washer Ø5/16x12mm		8PCS
D	Flat Washer Ø5/16x19mm		8PCS
E	Screw #4x50mm		8PCS

PARTS LIST

BENCH TOP (1PC)	LEFT LEG (2PCS)	RIGHT LEG (2PCS)	SHORT STRETCHER (2PCS)
<p>①</p> 	<p>②</p> 	<p>③</p> 	<p>④</p> 
<p>LONG STRETCHER WITH METAL (2PCS)</p> <p>⑤</p> 	 <p>METAL BAR</p>		



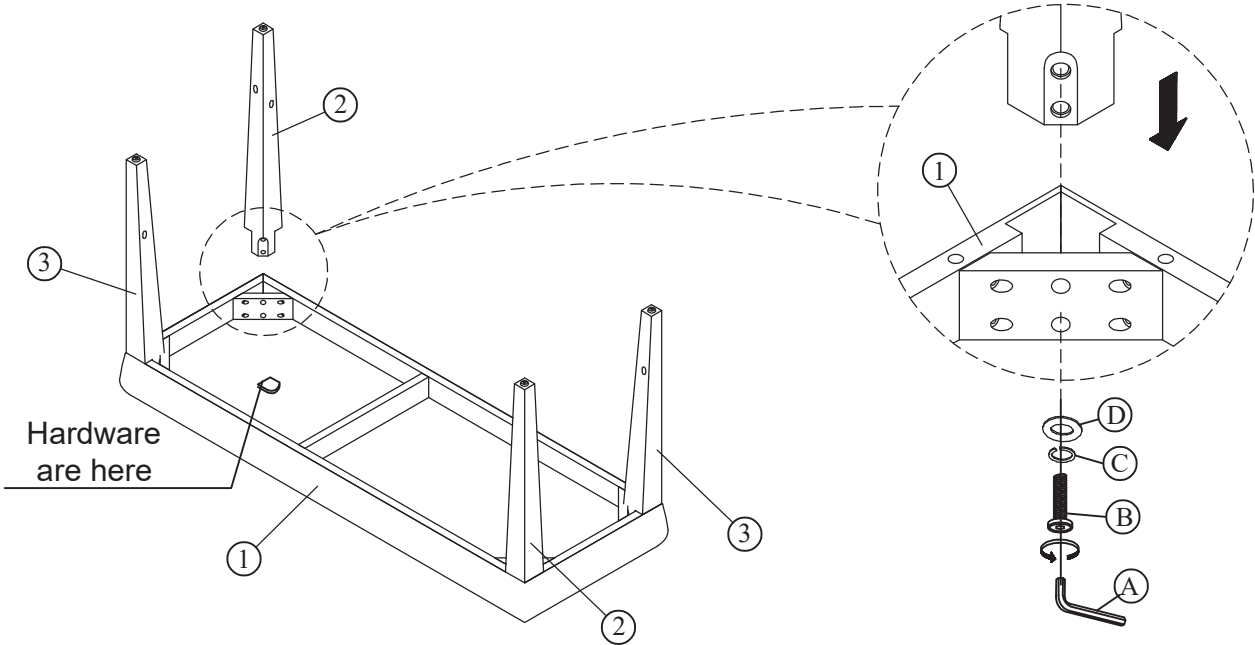
LIVING SPACES

AMERY

49" UPHOLSTERED COUNTER BENCH

SKU: 323500

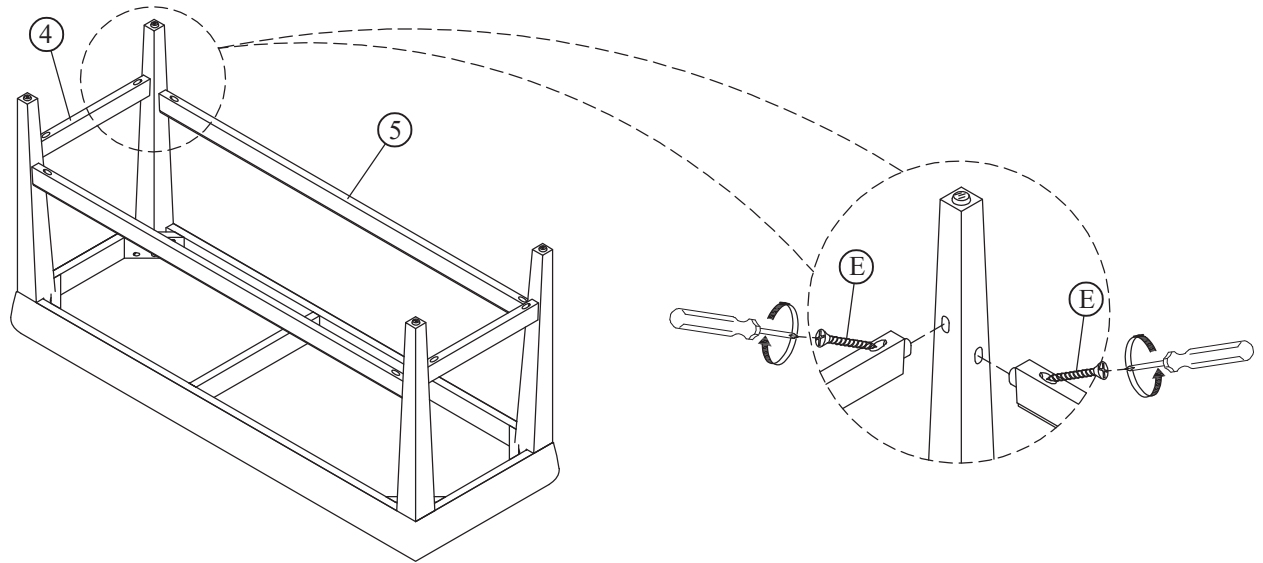
STEP 1



Hardware are here

* Do not tighten bolts

STEP 2



* Tighten all screws & bolts