

LIVING SPACES

OWNER'S MANUAL

MARIKO CANE KING STORAGE BED

LIVING SPACES SKU : 323033 / 323034 / 324000

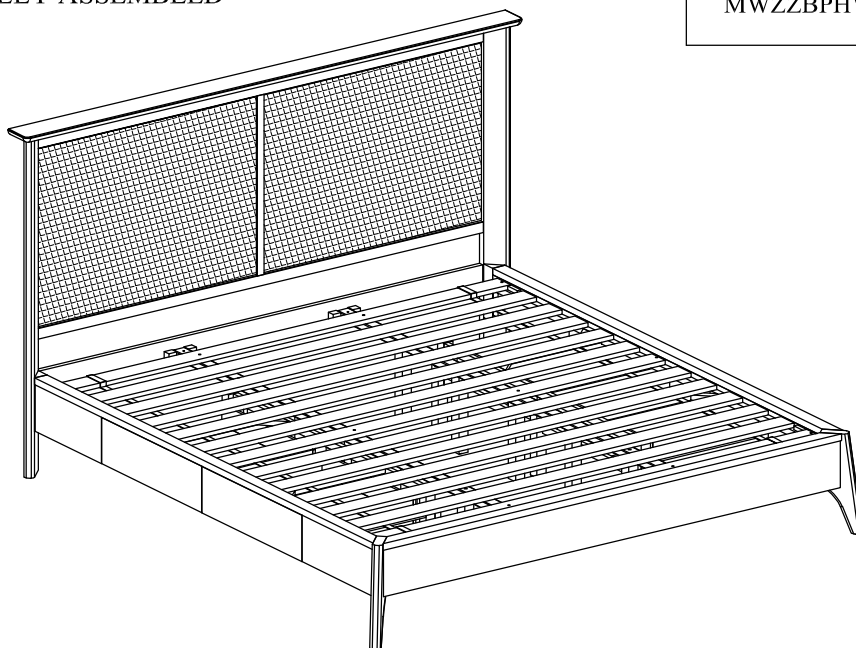
VENDOR ITEM NO. : MWNJM7BH / MWNJM7FB / MWNJN7RS



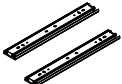

Scan QR code to view assembly video

ASSEMBLY PARTS LIST

	SKU #	IMAGE	DESCRIPTION	QTY	HARDWARE KIT PACKED IN BOX # 3			
					SKU : MWZZBPHWKS			
					SKU #	IMAGE	DESCRIPTION	QTY
BOX #1	323033		HEADBOARD	1	MWZZBPHWKS-1		ALLEN BOLT (M6 X 35MM)	12
BOX #2	323034		FOOTBOARD	1	MWZZBPHWKS-2		ALLEN BOLT (M8 X 50MM)	8
BOX #3	324000-1		SLAT ROLL	1	MWZZBPHWKS-3		ALLEN BOLT (M6 X 20MM)	2
	324000-2		LEFT SIDERAIL	1	MWZZBPHWKS-4		LOCK WASHER (M9)	22
	324000-3		RIGHT SIDERAIL	1	MWZZBPHWKS-5		FLAT WASHER (M6 X 13)	2
	MWNJBPSL		DRAWER SUPPORT LEG	6	MWZZBPHWKS-6		FLAT WASHER (M8 X 20)	20
	MWZZBPCS57S		CENTER SUPPORT	2	MWZZBPHWKS-7		WOOD SCREW (M4 X 50MM)	4
	MWNJBPLS		SUPPORT LEG	10	MWZZBPHWKS-8		WOOD SCREW (M4 X 25MM)	12
FULLY ASSEMBLED					MWZZBPHWKS-9		ALLEN KEY	2



PRE-ASSEMBLED PARTS LIST

SKU #	IMAGE	DESCRIPTION	SKU #	IMAGE	DESCRIPTION
MWZZBPDG500		DRAWER GLIDE SET	MWZZBPFC		FOOT CAP

LIVING SPACES

OWNER'S MANUAL

MARIKO CANE KING STORAGE BED

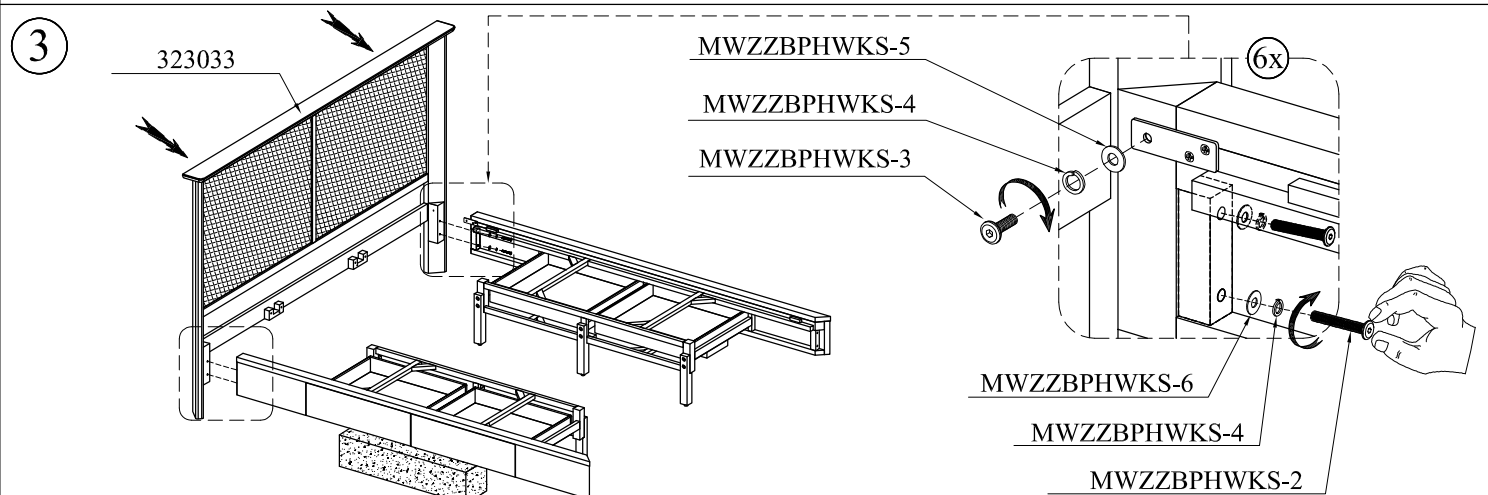
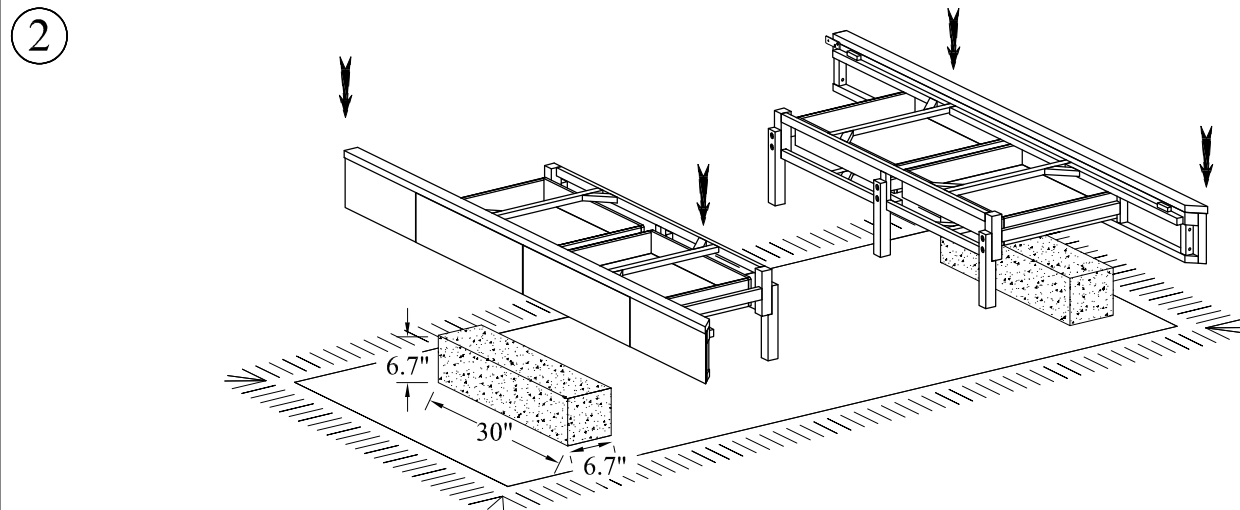
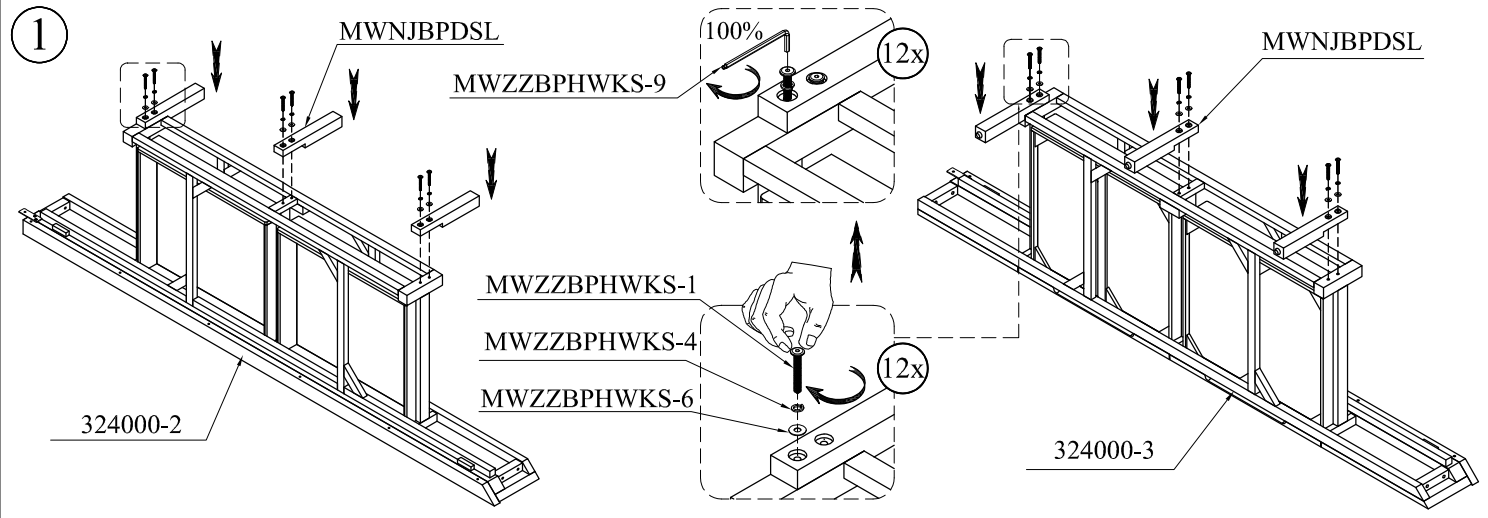
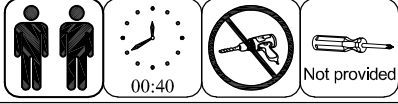
LIVING SPACES SKU : 323033 / 323034 / 324000

VENDOR ITEM NO. : MWNJM7BH / MWNJM7FB / MWNJN7RS



Scan QR code to view assembly video

ASSEMBLY INSTRUCTIONS



LIVING SPACES

OWNER'S MANUAL

MARIKO CANE KING STORAGE BED

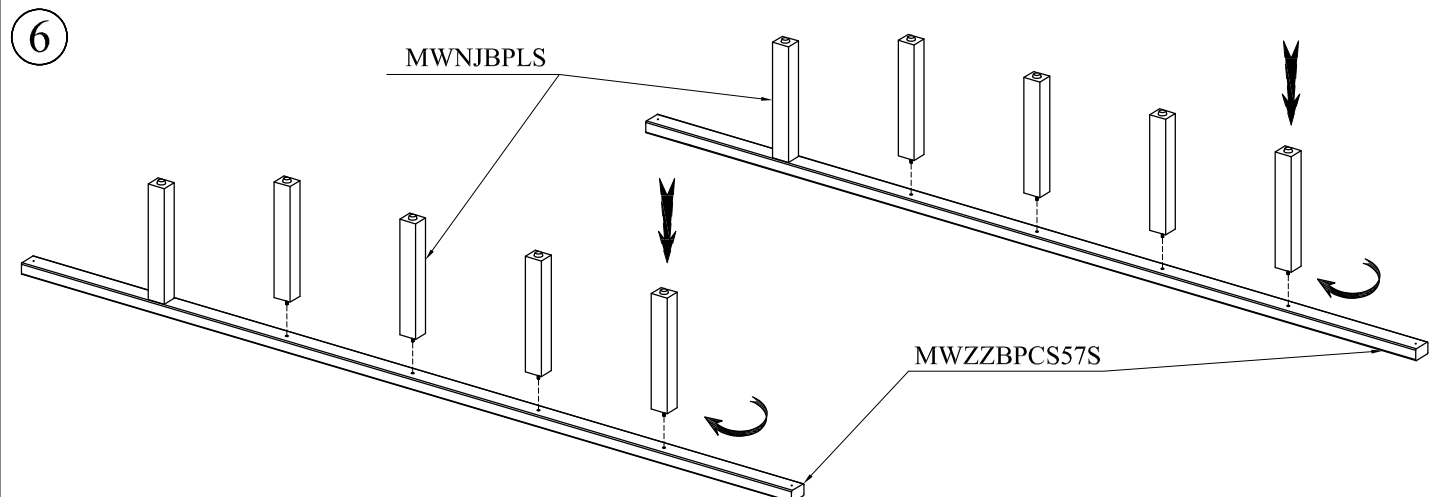
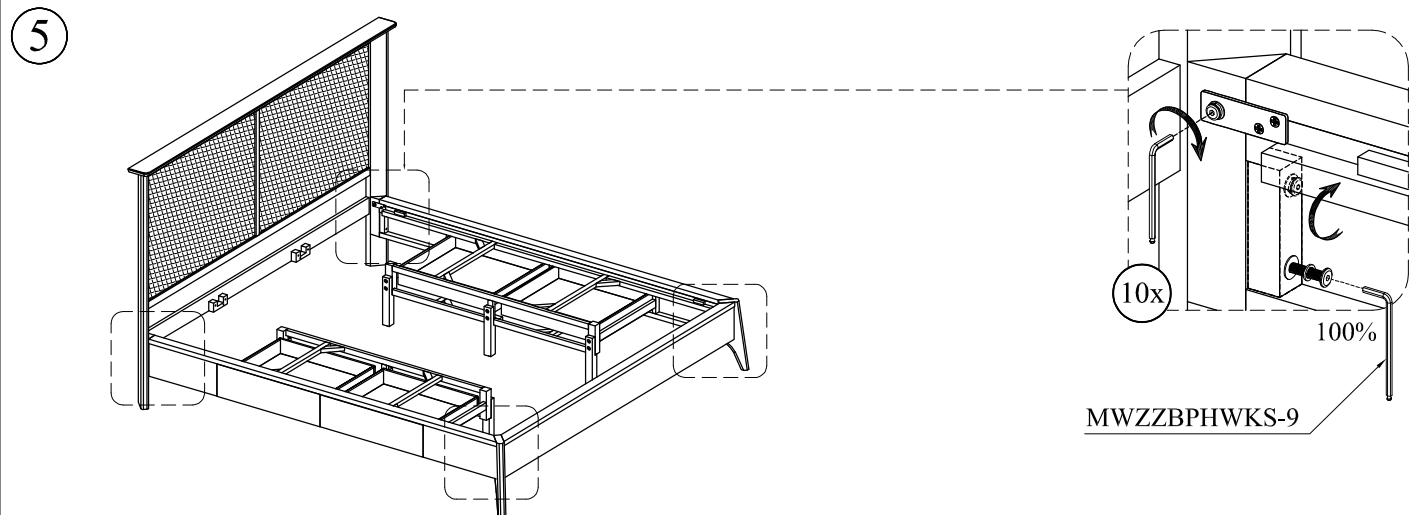
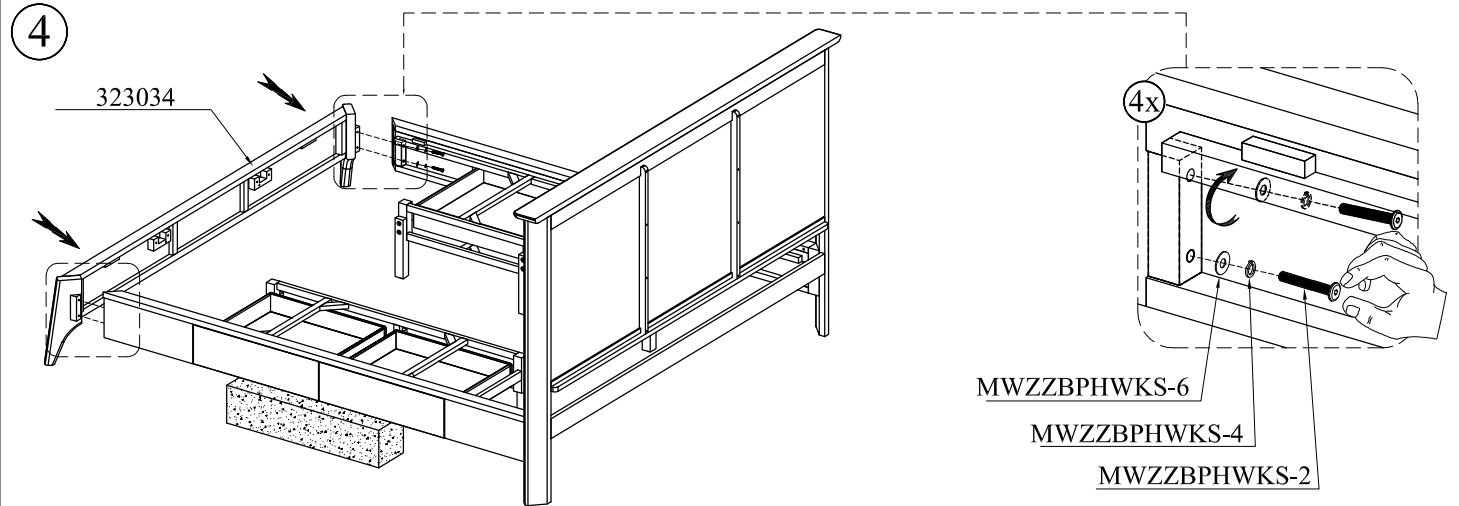
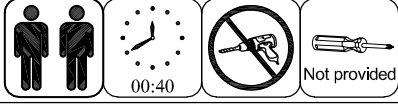
LIVING SPACES SKU : 323033 / 323034 / 324000

VENDOR ITEM NO. : MWNJM7BH / MWNJM7FB / MWNJN7RS



Scan QR code to view assembly video

ASSEMBLY INSTRUCTIONS



LIVING SPACES

OWNER'S MANUAL

MARIKO CANE KING STORAGE BED

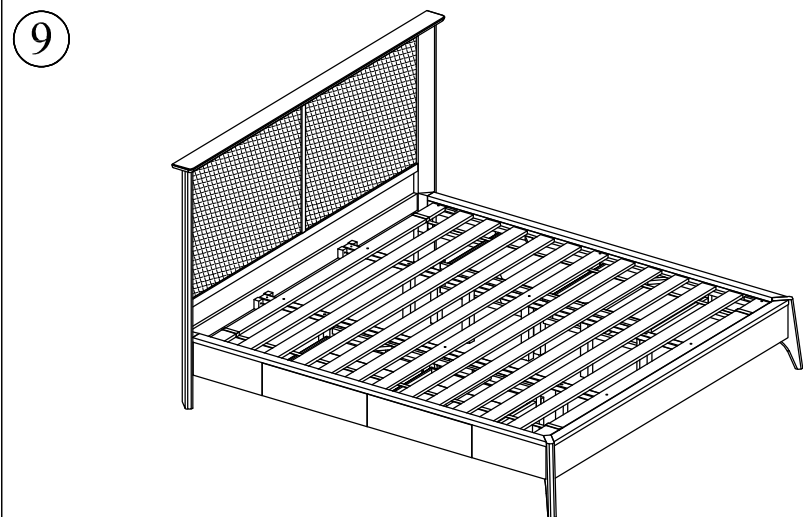
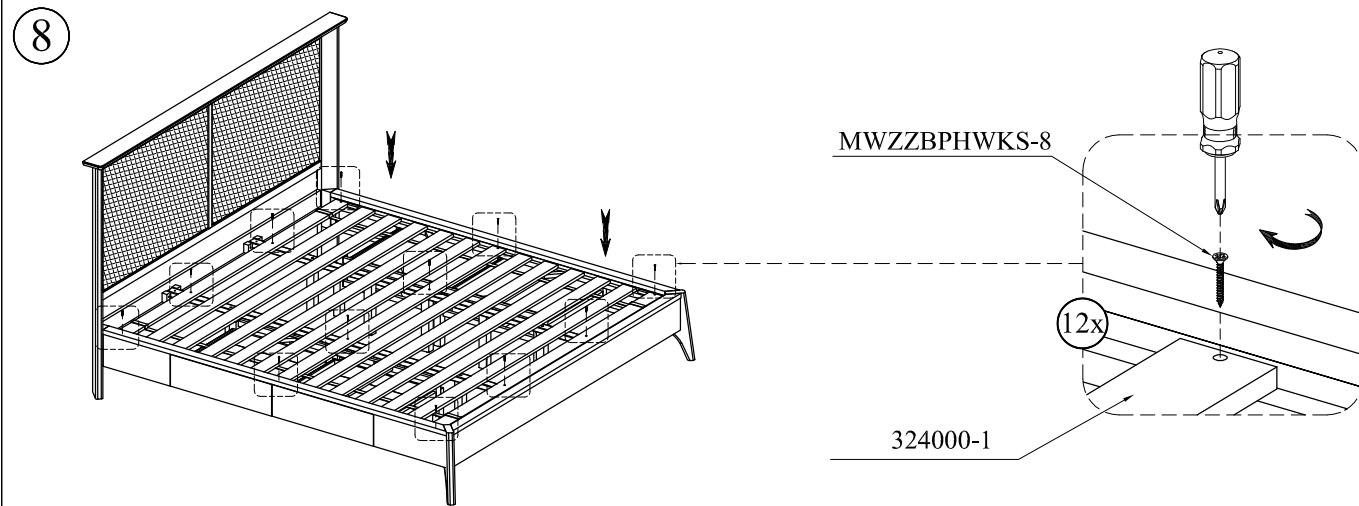
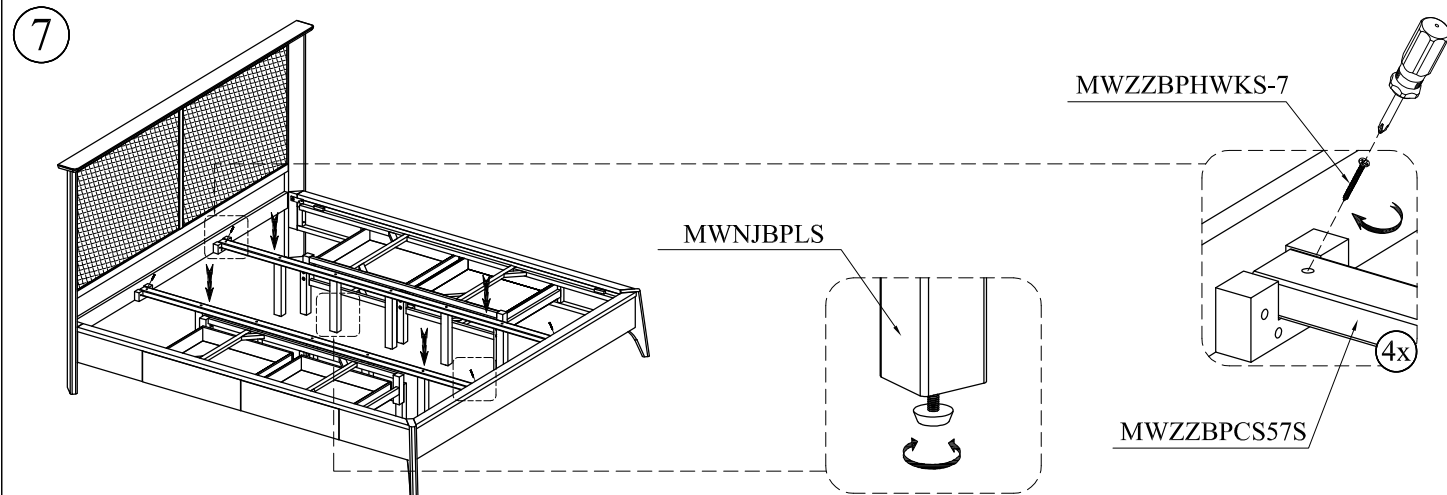
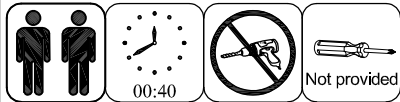
LIVING SPACES SKU : 323033 / 323034 / 324000

VENDOR ITEM NO. : MWNJM7BH / MWNJM7FB / MWNJN7RS



Scan QR code to view assembly video

ASSEMBLY INSTRUCTIONS



ASSEMBLY COMPLETE

LIVING SPACES

OWNER'S MANUAL

MARIKO CANE KING STORAGE BED

LIVING SPACES SKU : 323033 / 323034 / 324000

VENDOR ITEM NO. : MWNJM7BH / MWNJM7FB / MWNJN7RS



Scan QR code to view assembly video



WARNING:

- **Maximum distributed load capacity: 800 lbs.**
- **Drawer capacity: 50 lbs per drawer.**
- **Standing or jumping on this product may result in damage or injury.**

ROUTINE MAINTENANCE:

Periodically check that support legs are in place and are applying equal upward pressure on the bed frame. To adjust support legs, turn levelers counterclockwise to extend, clockwise to retract.

Periodically check all fittings and tighten if necessary, as they can loosen over time.

Always remove box spring and mattress before moving the bed. Lift the bed when moving it. Dragging the bed can damage the center support. Readjust levelers after moving the bed.

CARE AND CLEANING: SOLID WOOD FURNITURE

Congratulations on purchasing this handcrafted solid wood furniture product. Please keep in mind that wood is sensitive to changes in humidity. As the weather changes so does the relative humidity in your home and the moisture content of your solid wood furniture. We have taken every precaution to stabilize the lumber used to build this product. Still, you may observe plank movement or small cracks as the seasons change, particularly during the first 6-12 months of ownership. This is normal for solid wood furniture and will not affect the performance or longevity of this product.

Dust frequently with a clean, damp, lint-free cloth. Frequent dusting will remove abrasive build-up which can damage a finish over time. Avoid using oily polishes or waxes. Avoid exposing your furniture to strong sunlight. Prolonged exposure to direct sunlight can fade the finish of your furniture. Do not expose your furniture to any liquids. Never allow water to sit on your furniture. Do not place hot items on top of surface, always use a mat or other protector. Alcohol, nail polish and perfume are also dangerous, as they can dissolve the furniture finish on contact and may require professional repairs.