

# LIVING SPACES

## OWNER'S MANUAL

MARIKO CANE KING BED













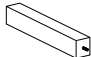


LIVING SPACES SKU : 323033 / 323034 / 323999

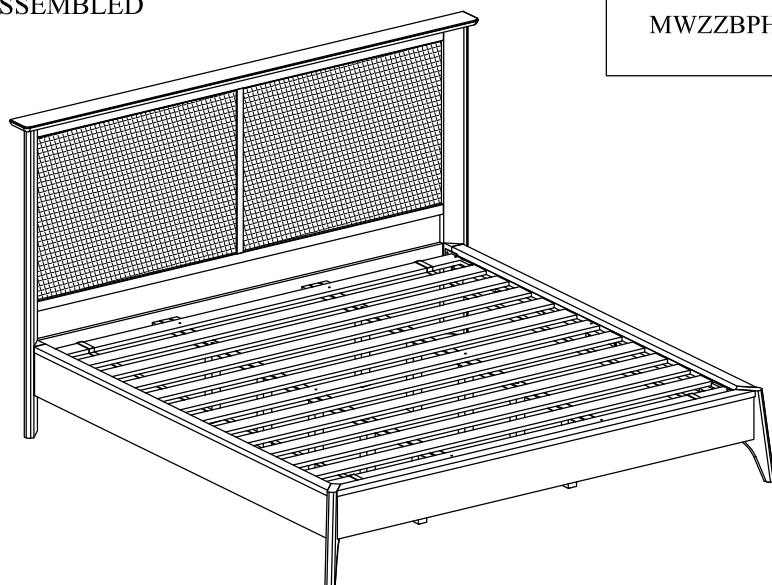
VENDOR ITEM NO. : MWNJM7BH / MWNJM7FB / MWNJM7RS




Scan QR code to view assembly video

### ASSEMBLY PARTS LIST

	SKU #	IMAGE	DESCRIPTION	QTY	HARDWARE KIT PACKED IN BOX # 3 SKU : MWZZBPHWK			
					SKU #	IMAGE	DESCRIPTION	QTY
<b>BOX #1</b>	323033		HEADBOARD	1	MWZZBPHWK-1		ALLEN BOLT (M8 X 50MM)	8
<b>BOX #2</b>	323034		FOOTBOARD	1	MWZZBPHWK-2		ALLEN BOLT (M6 X 20MM)	2
<b>BOX #3</b>	323999-1		SLAT ROLL	1	MWZZBPHWK-3		LOCK WASHER (M9)	10
	323999-2		LEFT SIDERAIL	1	MWZZBPHWK-4		FLAT WASHER (M6 X 13)	2
	323999-3		RIGHT SIDERAIL	1	MWZZBPHWK-5		FLAT WASHER (M8 X 20)	8
	MWZZBPCS57		CENTER SUPPORT	2	MWZZBPHWK-6		ALLEN KEY	2
	MWNJBPLS		SUPPORT LEG	10	MWZZBPHWK-7		WOOD SCREW (M4 X 50MM)	4
FULLY ASSEMBLED					MWZZBPHWK-8		WOOD SCREW (M4 X 25MM)	12



### PRE-ASSEMBLED PARTS LIST

SKU #	IMAGE	DESCRIPTION	SKU #	IMAGE	DESCRIPTION
MWZZBPFC		FOOT CAP			

# LIVING SPACES

## OWNER'S MANUAL

MARIKO CANE KING BED

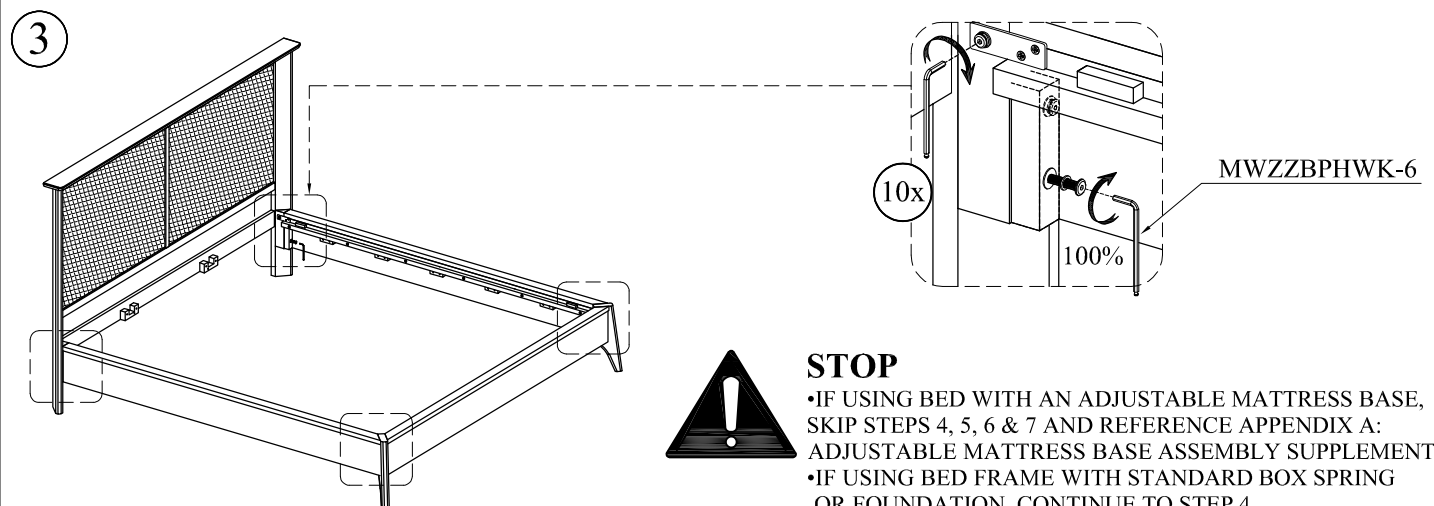
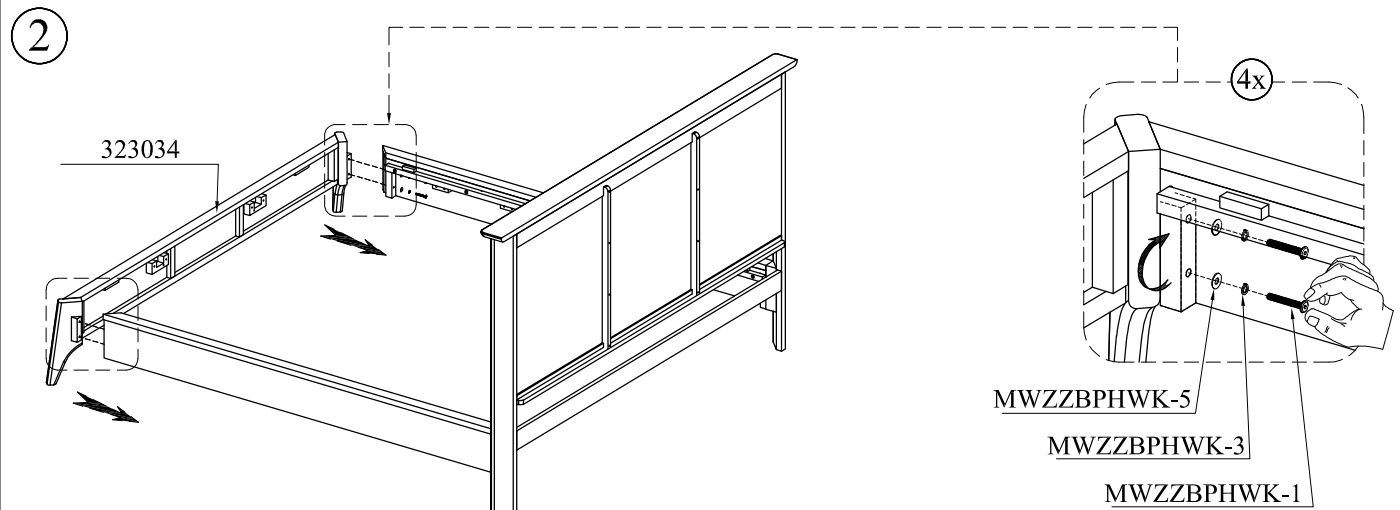
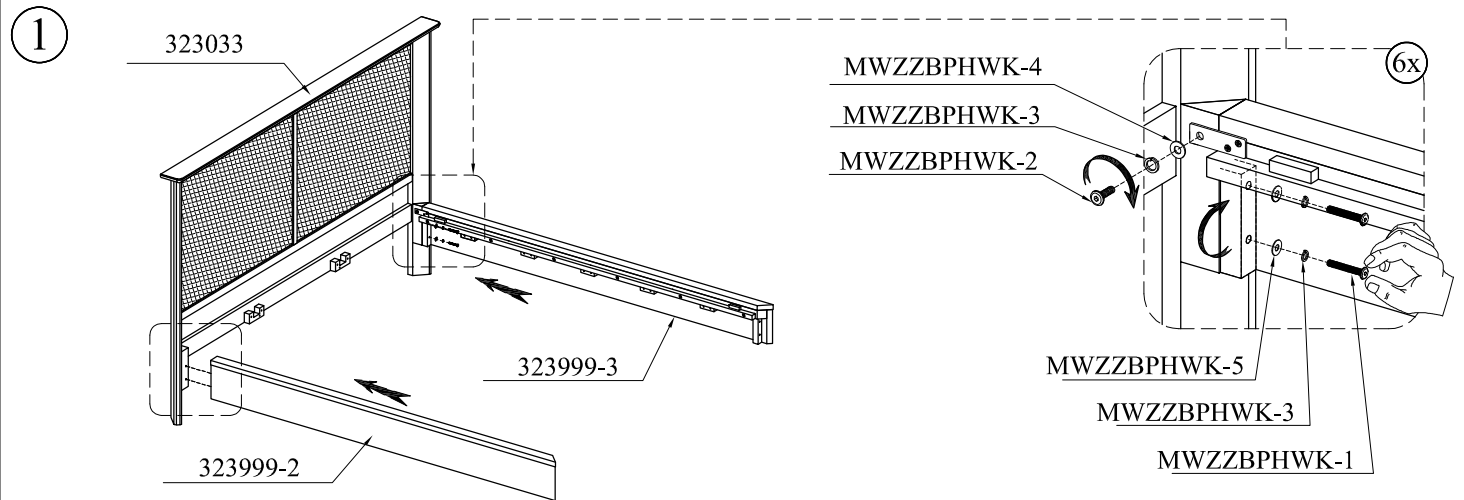
LIVING SPACES SKU : 323033 / 323034 / 323999

VENDOR ITEM NO. : MWNJM7BH / MWNJM7FB / MWNJM7RS



Scan QR code to view assembly video

### ASSEMBLY INSTRUCTIONS



# LIVING SPACES

## OWNER'S MANUAL

MARIKO CANE KING BED

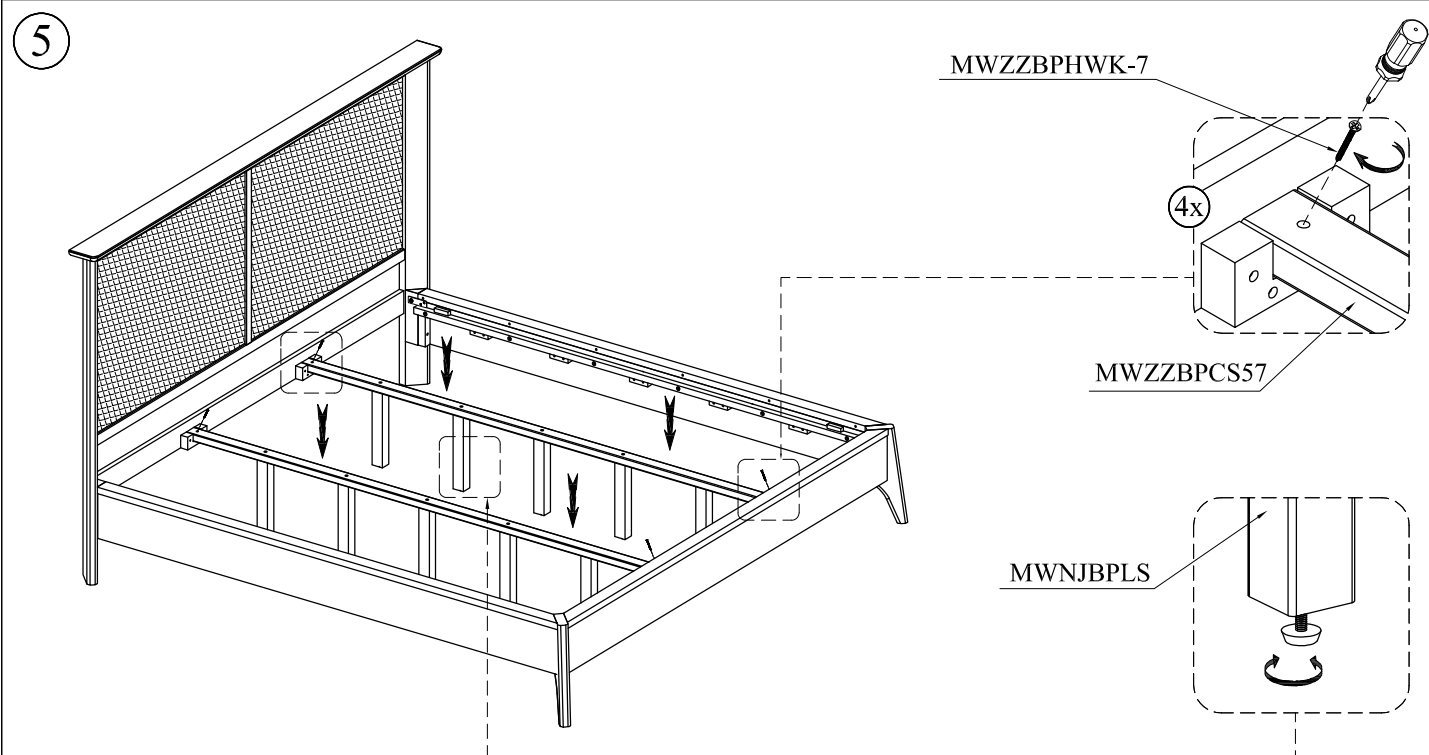
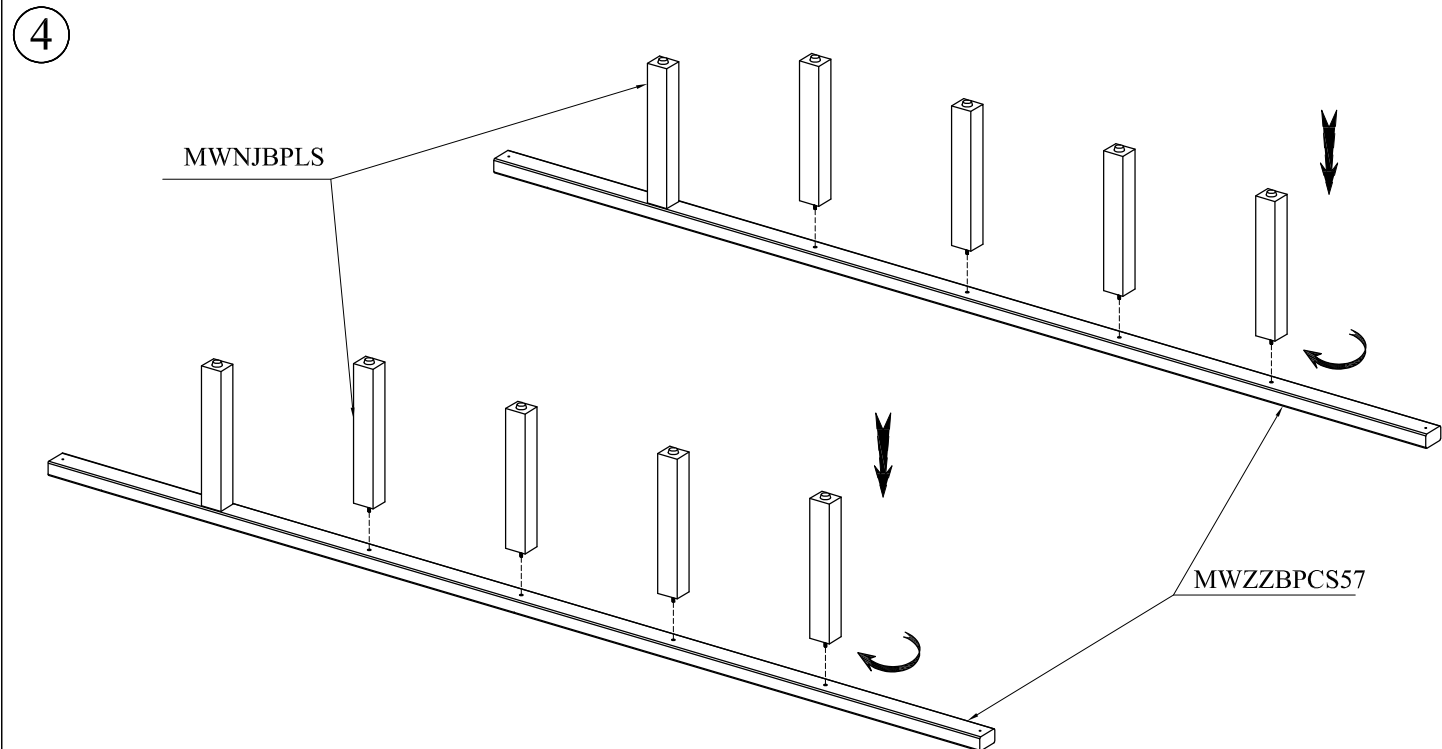
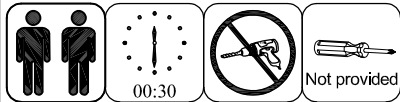
LIVING SPACES SKU : 323033 / 323034 / 323999

VENDOR ITEM NO. : MWNJM7BH / MWNJM7FB / MWNJM7RS



Scan QR code to view assembly video

### ASSEMBLY INSTRUCTIONS



# LIVING SPACES

## OWNER'S MANUAL

MARIKO CANE KING BED

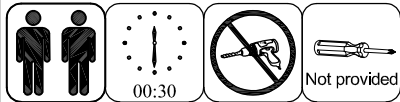
LIVING SPACES SKU : 323033 / 323034 / 323999

VENDOR ITEM NO. : MWNJM7BH / MWNJM7FB / MWNJM7RS

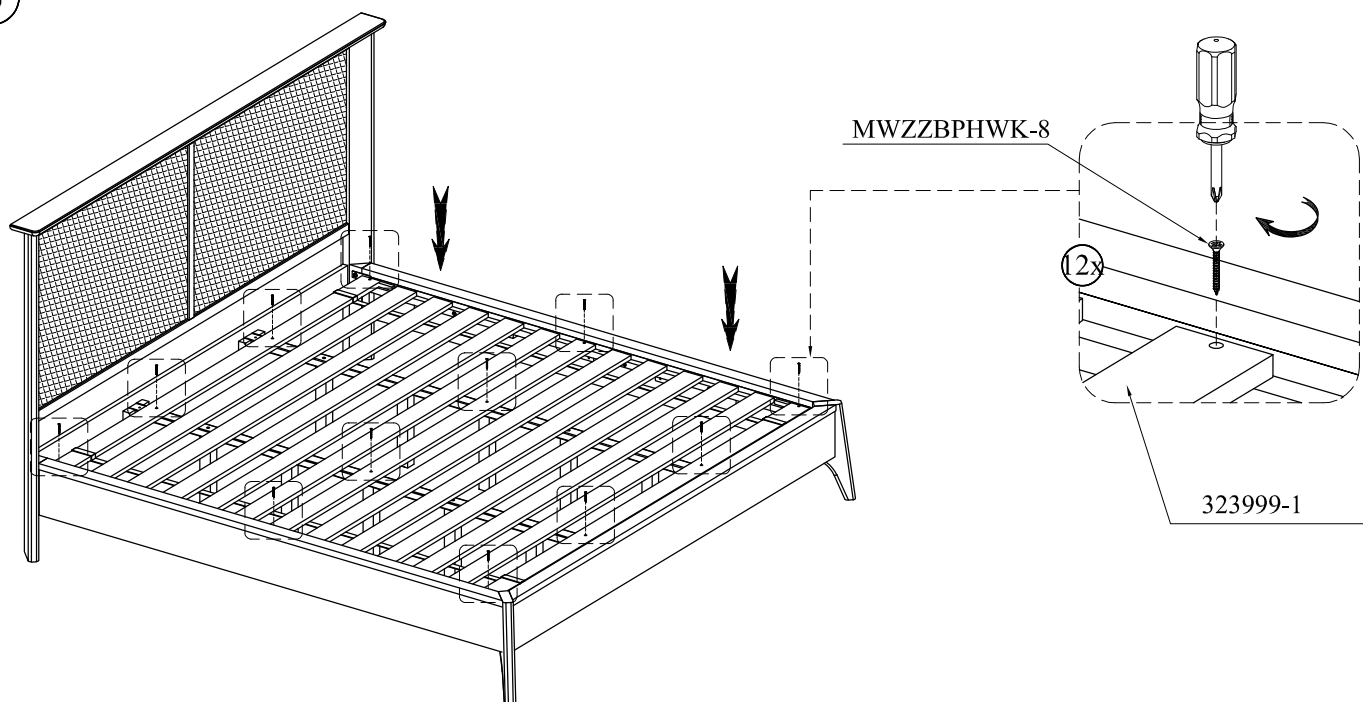


Scan QR code to view assembly video

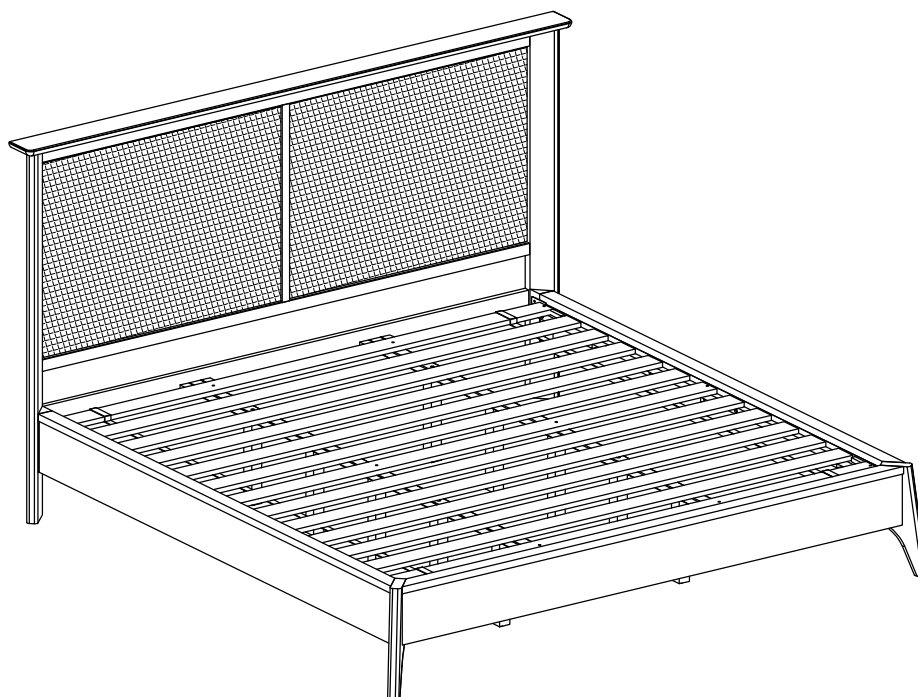
### ASSEMBLY INSTRUCTIONS



6



7



ASSEMBLY COMPLETE

# LIVING SPACES

## OWNER'S MANUAL

MARIKO CANE KING BED

LIVING SPACES SKU : 323033 / 323034 / 323999

VENDOR ITEM NO. : MWNJM7BH / MWNJM7FB / MWNJM7RS



Scan QR code to view assembly video

### APPENDIX A: ADJUSTABLE MATTRESS BASE ASSEMBLY SUPPLEMENT

AN ADJUSTABLE MATTRESS BASE IS A FREESTANDING MATTRESS SUPPORT THAT SITS WITHIN THE PERIMETER OF THE BED FRAME. IF USING THIS BED FRAME WITH A STANDARD BOX SPRING OR FOUNDATION THESE INSTRUCTIONS DO NOT APPLY.

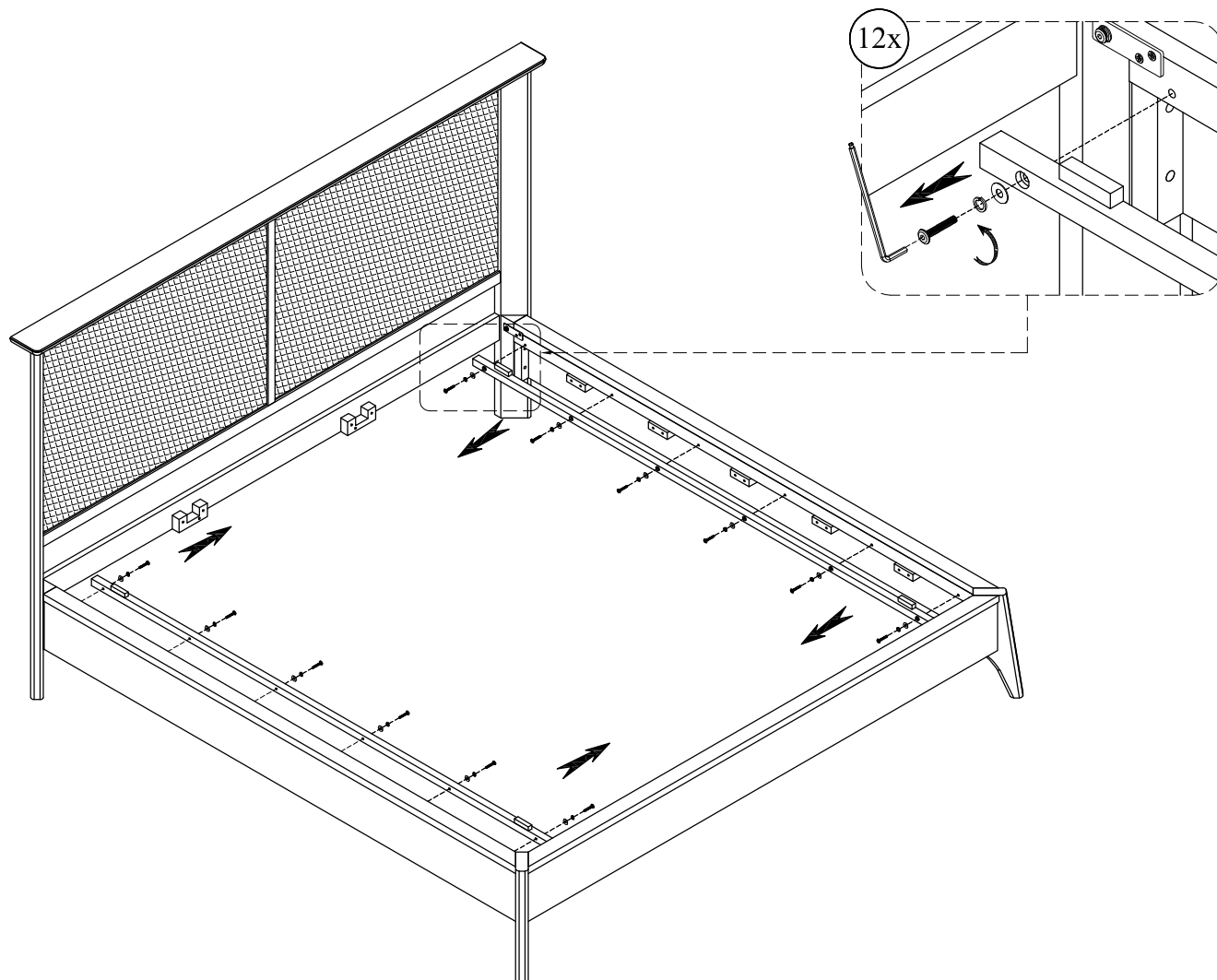
PRE-ASSEMBLED SIDE RAIL CLEATS OBSTRUCT ADJUSTABLE BASE INSTALLATION AND OPERATION. FOLLOW THESE INSTRUCTIONS TO REMOVE THEM.

THE FOLLOWING PARTS ARE NOT REQUIRED FOR ADJUSTABLE MATTRESS BASE INSTALLATION:

* 323999-1 / SLAT ROLL	:1 SET	*WOOD SCREW (M4x50mm)	:4 PCS
* MWZZBPCS57 / CENTER SUPPORT	:2 PCS	*WOOD SCREW (M4x25mm)	:12 PCS
* MWNJBPLS / SUPPORT LEG	:10 PCS		

#### STEP #1:

USE ALLEN KEY (MWZZBPHWK-6) TO UNSCREW ALLEN BOLTS AND REMOVE PRE-ASSEMBLED SIDE RAIL CLEATS.



NOTE: YOU MAY WISH TO RETAIN UNUSED PARTS IF IN THE FUTURE YOU INTEND TO USE THE BED FRAME WITH A STANDARD BOX SPRING OR FOUNDATION.