

LIVING SPACES

OWNER'S MANUAL

MARIKO CANE QUEEN BED







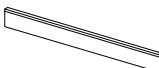





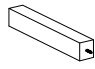


LIVING SPACES SKU : 323025 / 323026 / 323027

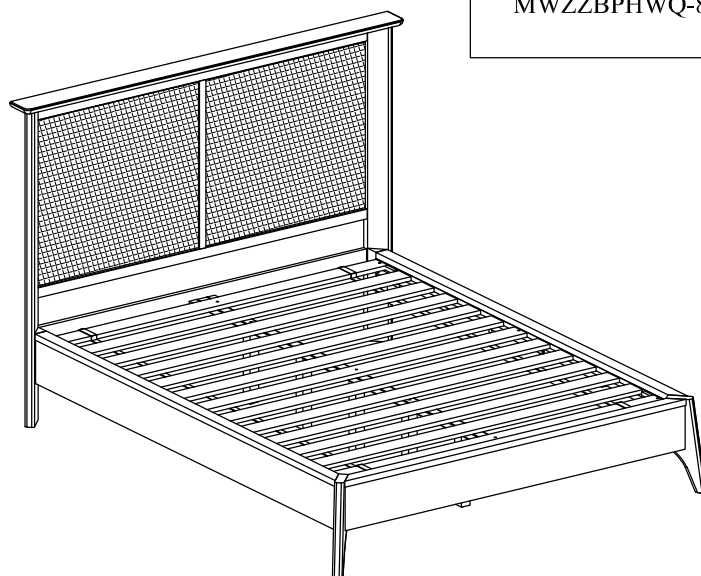
VENDOR ITEM NO. : MWNJM5BH / MWNJM5FB / MWNJM5RS




Scan QR code to view assembly video

ASSEMBLY PARTS LIST

	SKU #	IMAGE	DESCRIPTION	QTY	HARDWARE KIT PACKED IN BOX # 3 SKU : MWZZBPHWQ			
					SKU #	IMAGE	DESCRIPTION	QTY
BOX #1	323025		HEADBOARD	1	MWZZBPHWQ-1		ALLEN BOLT (M8 X 50MM)	8
BOX #2	323026		FOOTBOARD	1	MWZZBPHWQ-2		ALLEN BOLT (M6 X 20MM)	2
BOX #3	323027-1		SLAT ROLL	1	MWZZBPHWQ-3		LOCK WASHER (M9)	10
	323027-2		LEFT SIDERAIL	1	MWZZBPHWQ-4		FLAT WASHER (M6 X 13)	2
	323027-3		RIGHT SIDERAIL	1	MWZZBPHWQ-5		FLAT WASHER (M8 X 20)	8
	MWZZBPCS57		CENTER SUPPORT	1	MWZZBPHWQ-6		ALLEN KEY	2
	MWNJBPLS		SUPPORT LEG	5	MWZZBPHWQ-7		WOOD SCREW (M4 X 50MM)	2
FULLY ASSEMBLED					MWZZBPHWQ-8		WOOD SCREW (M4 X 25MM)	9



PRE-ASSEMBLED PARTS LIST

SKU #	IMAGE	DESCRIPTION	SKU #	IMAGE	DESCRIPTION
MWZZBPFC		FOOT CAP			

LIVING SPACES

OWNER'S MANUAL

MARIKO CANE QUEEN BED

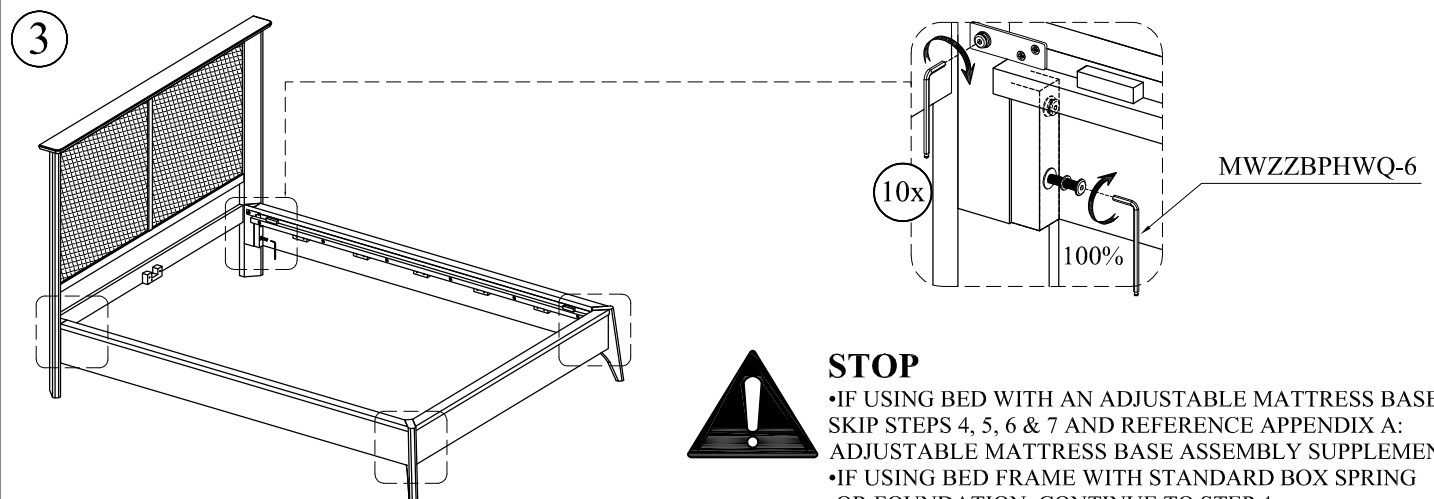
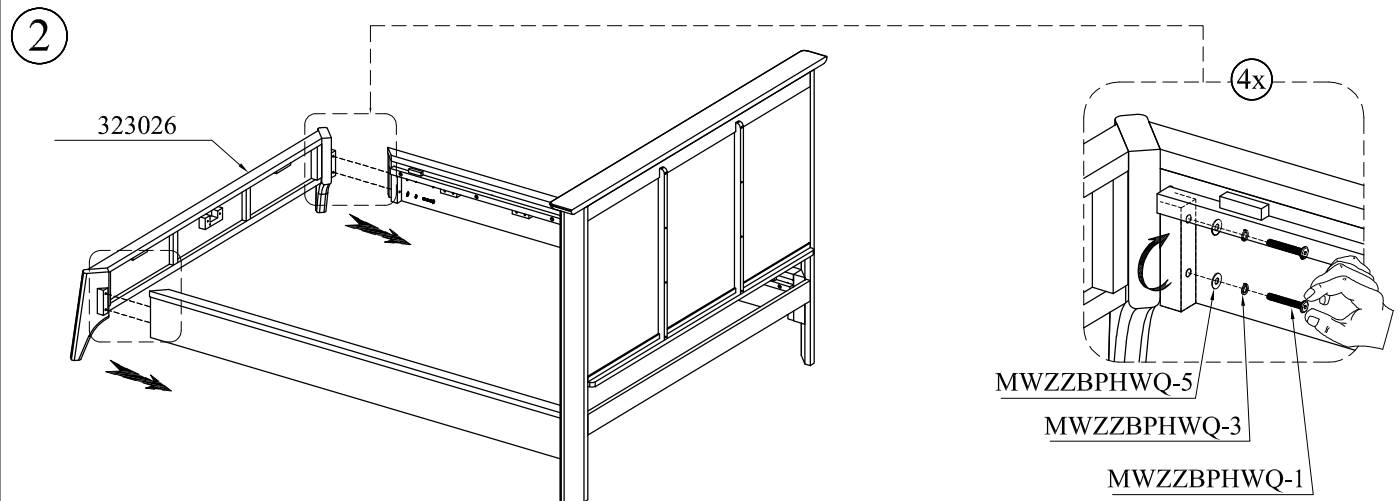
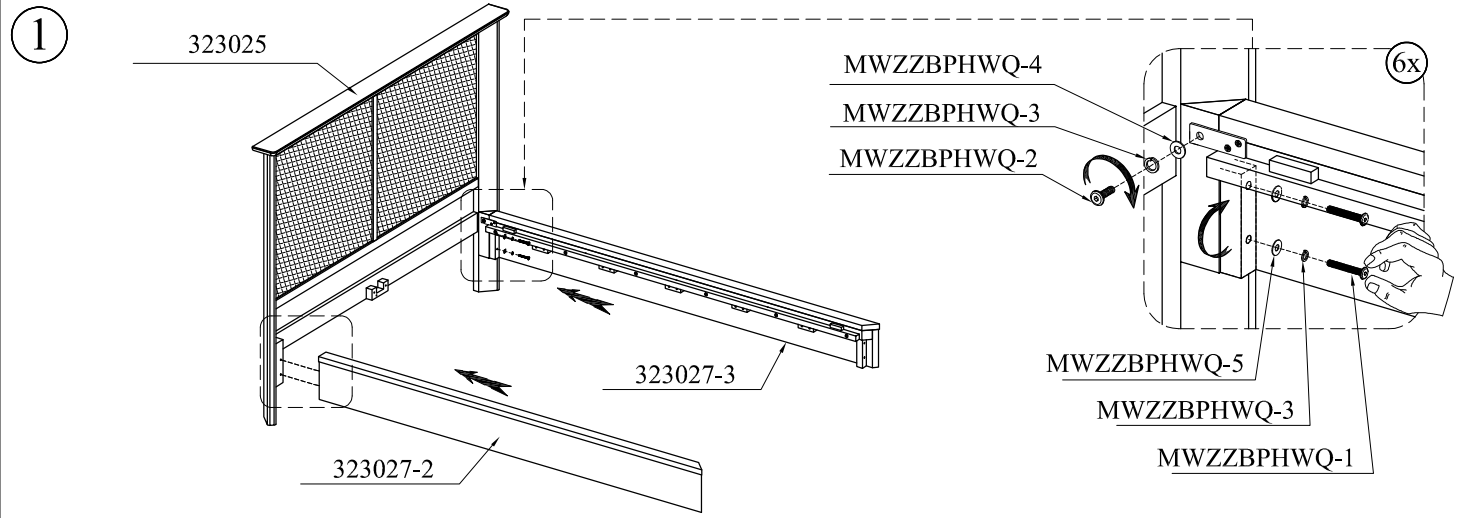
LIVING SPACES SKU : 323025 / 323026 / 323027

VENDOR ITEM NO. : MWNJM5BH / MWNJM5FB / MWNJM5RS



Scan QR code to view assembly video

ASSEMBLY INSTRUCTIONS



LIVING SPACES

OWNER'S MANUAL

MARIKO CANE QUEEN BED

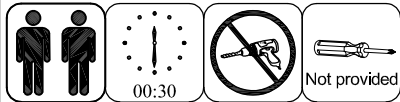
LIVING SPACES SKU : 323025 / 323026 / 323027

VENDOR ITEM NO. : MWNJM5BH / MWNJM5FB / MWNJM5RS

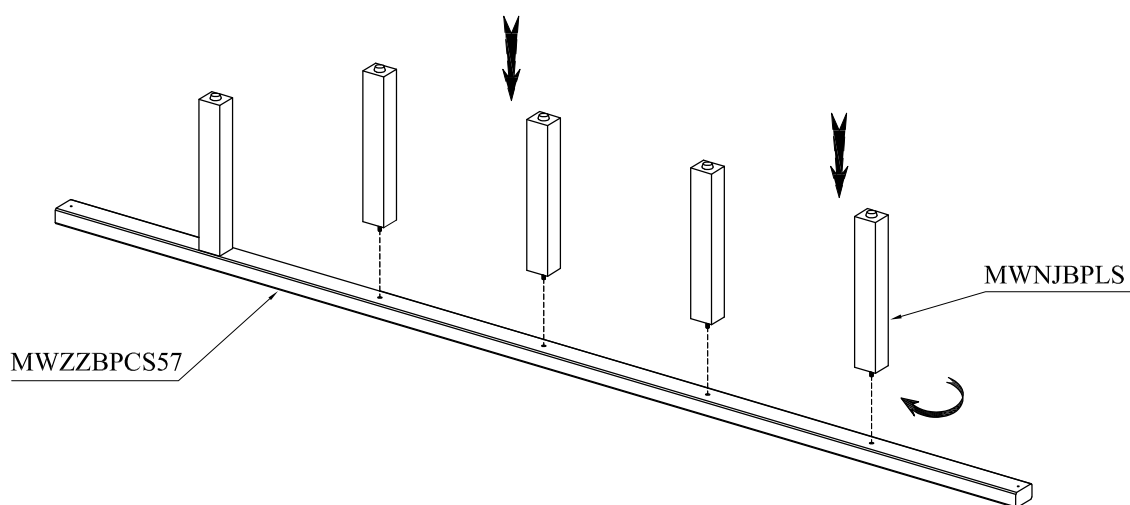


Scan QR code to view assembly video

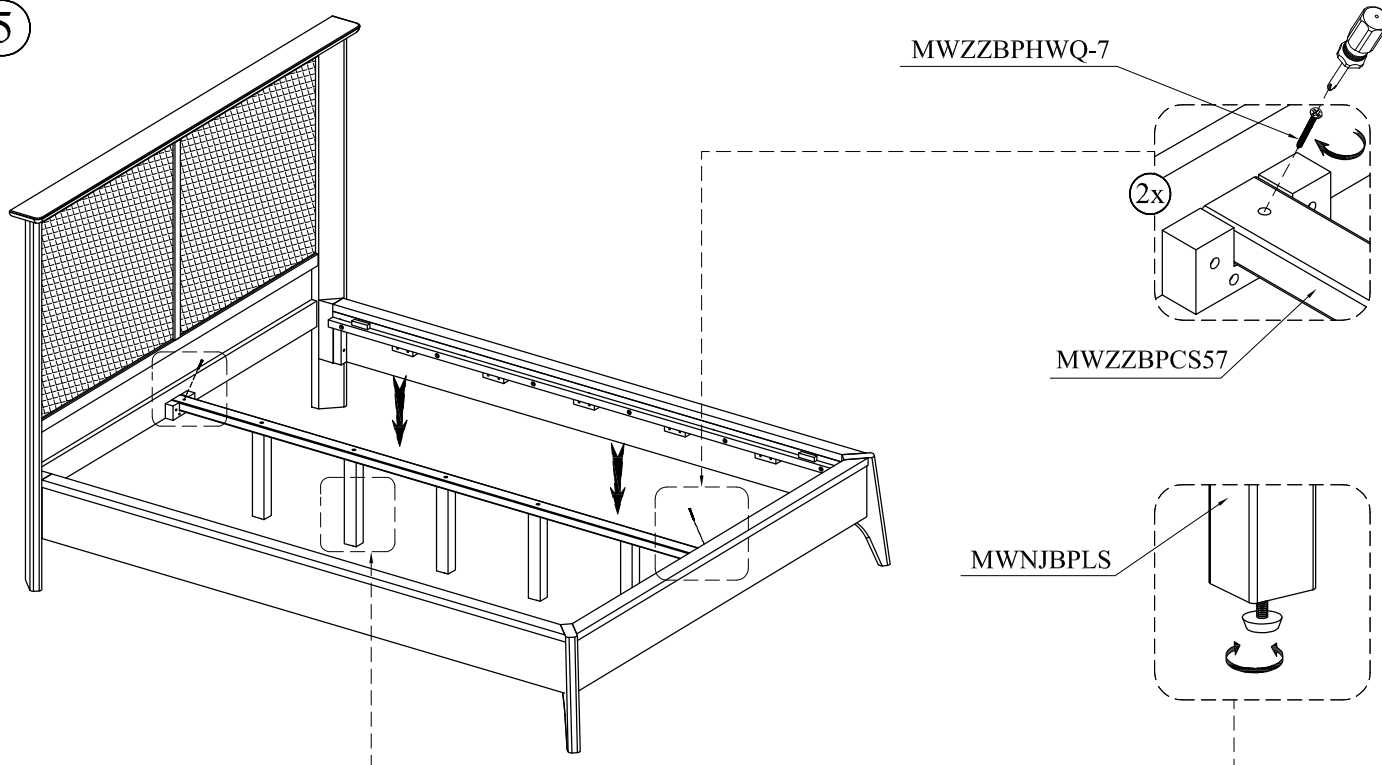
ASSEMBLY INSTRUCTIONS



4



5



LIVING SPACES

OWNER'S MANUAL

MARIKO CANE QUEEN BED

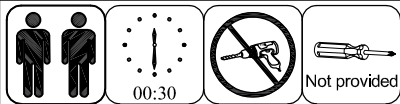
LIVING SPACES SKU : 323025 / 323026 / 323027

VENDOR ITEM NO. : MWNJM5BH / MWNJM5FB / MWNJM5RS

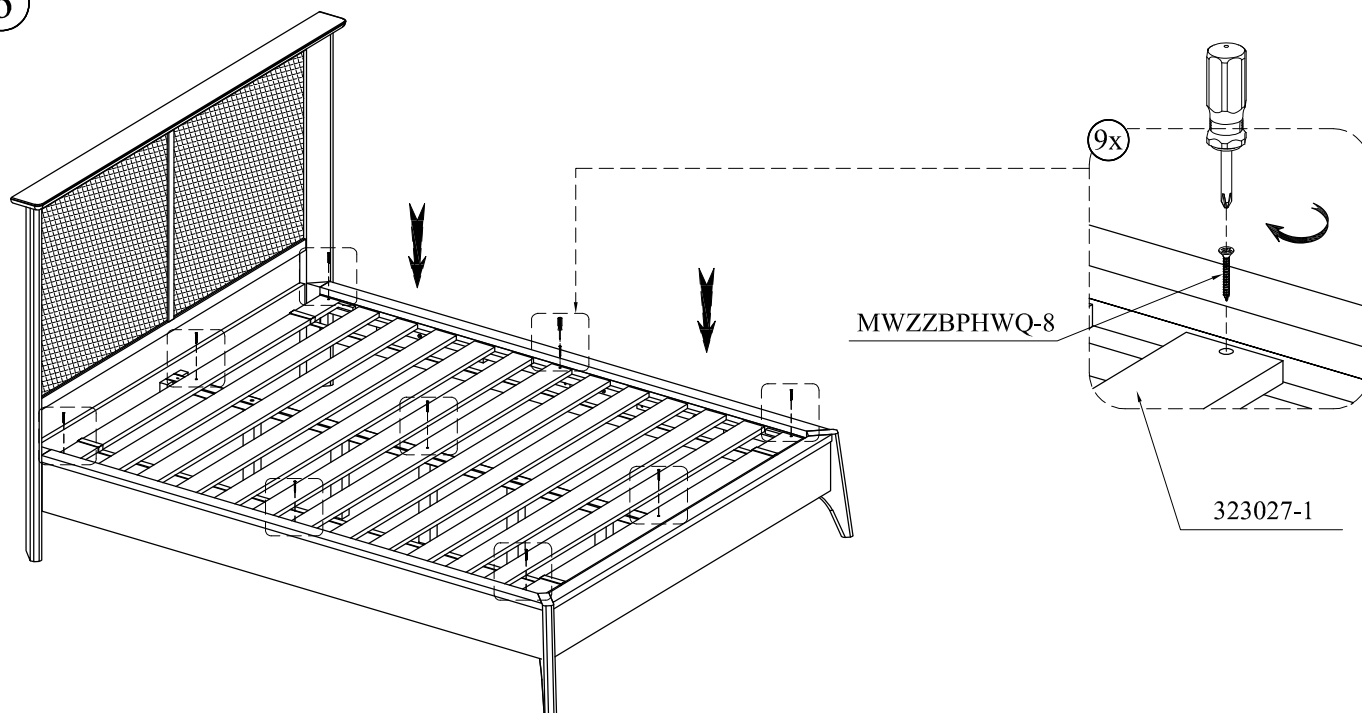


Scan QR code to view assembly video

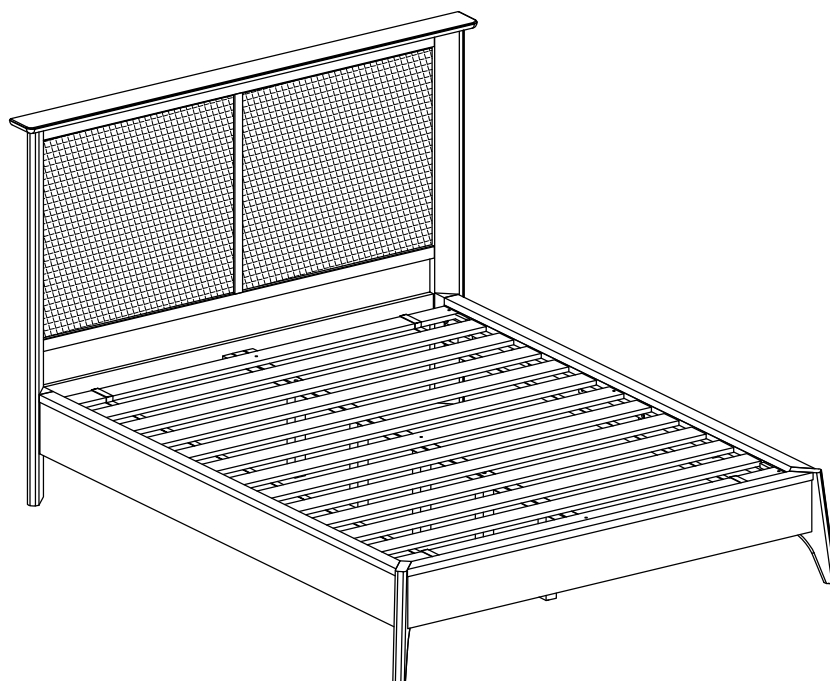
ASSEMBLY INSTRUCTIONS



6



7



ASSEMBLY COMPLETE

LIVING SPACES

OWNER'S MANUAL

MARIKO CANE QUEEN BED

LIVING SPACES SKU : 323025 / 323026 / 323027

VENDOR ITEM NO. : MWNJM5BH / MWNJM5FB / MWNJM5RS



Scan QR code to view assembly video

APPENDIX A: ADJUSTABLE MATTRESS BASE ASSEMBLY SUPPLEMENT

AN ADJUSTABLE MATTRESS BASE IS A FREESTANDING MATTRESS SUPPORT THAT SITS WITHIN THE PERIMETER OF THE BED FRAME. IF USING THIS BED FRAME WITH A STANDARD BOX SPRING OR FOUNDATION THESE INSTRUCTIONS DO NOT APPLY.

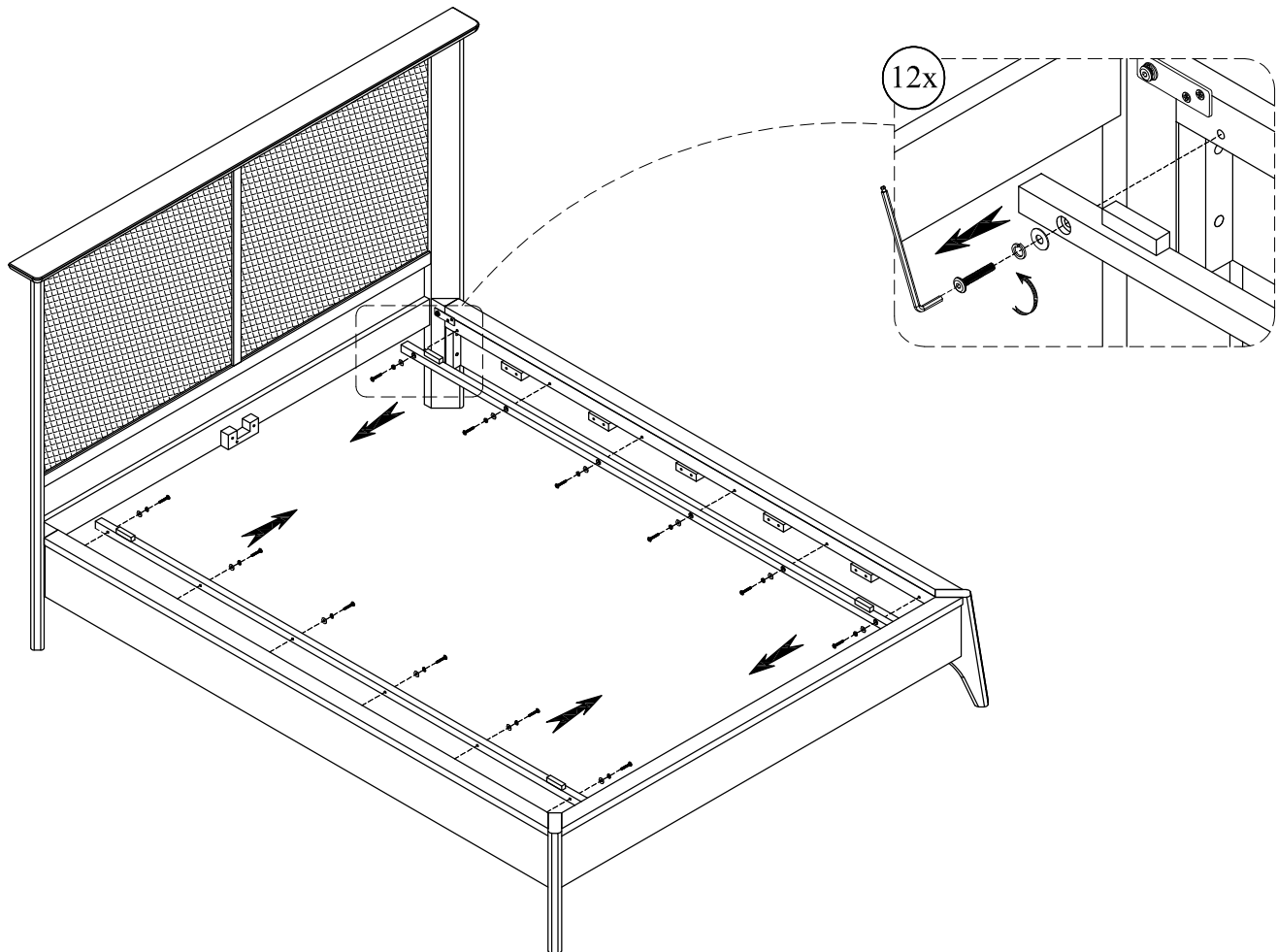
PRE-ASSEMBLED SIDE RAIL CLEATS OBSTRUCT ADJUSTABLE BASE INSTALLATION AND OPERATION. FOLLOW THESE INSTRUCTIONS TO REMOVE THEM.

THE FOLLOWING PARTS ARE NOT REQUIRED FOR ADJUSTABLE MATTRESS BASE INSTALLATION:

* 323027-1 / SLAT ROLL	:1 SET	*WOOD SCREW (M4x50mm)	:2 PCS
* MWZZBPCS57 / CENTER SUPPORT	:1 PC	*WOOD SCREW (M4x25mm)	:9 PCS
* MWNJBPLS / SUPPORT LEG	:5 PCS		

STEP #1:

USE ALLEN KEY (MWZZBPHWQ-6) TO UNSCREW ALLEN BOLTS AND REMOVE PRE-ASSEMBLED SIDE RAIL CLEATS.



NOTE: YOU MAY WISH TO RETAIN UNUSED PARTS IF IN THE FUTURE YOU INTEND TO USE THE BED FRAME WITH A STANDARD BOX SPRING OR FOUNDATION.