

LIVING SPACES




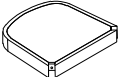


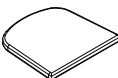



OWNER'S MANUAL

MARIKO UPHOLSTERED DINING CHAIR
LIVING SPACES SKU : 322971
VENDOR ITEM NO. : MWNJ63

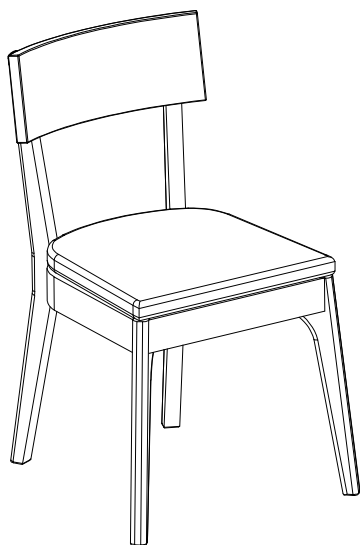


Scan QR code to view assembly video


ASSEMBLY PARTS LIST

SKU #	IMAGE	DESCRIPTION	QUANTITY	HARDWARE KIT PACKED IN BOX (For 2 Chairs)			
				SKU #	IMAGE	DESCRIPTION	QUANTITY
322971-1		CHAIR BACK	2	MWZZ63HW-1		ALLEN BOLT (M6 X 70MM)	8
				MWZZ63HW-2		ALLEN BOLT (M6 X 50MM)	8
322971-2		WOOD SEAT	2	MWZZ63HW-3		ALLEN BOLT (M6 X 45MM)	2
				MWZZ63HW-4		LOCK WASHER (M9)	18
322971-3		CUSHION SEAT	2	MWZZ63HW-5		FLAT WASHER (M8)	18
				MWZZ63HW-6		ALLEN KEY	2
MWNJ63LG		LEG	4				

FULLY ASSEMBLED



PRE-ASSEMBLED PARTS LIST

SKU #	IMAGE	DESCRIPTION	SKU #	IMAGE	DESCRIPTION
MWZZ63FC		FOOT CAP			

LIVING SPACES

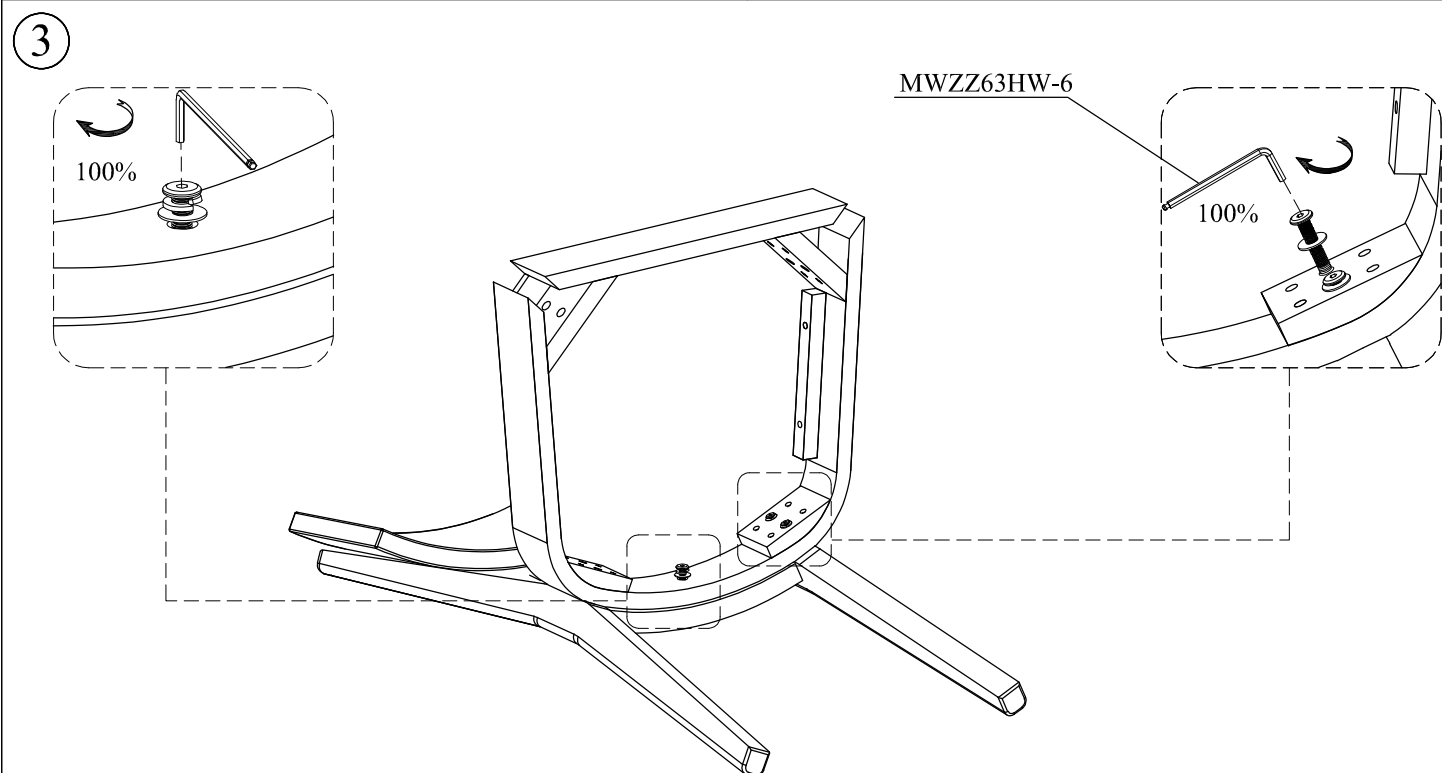
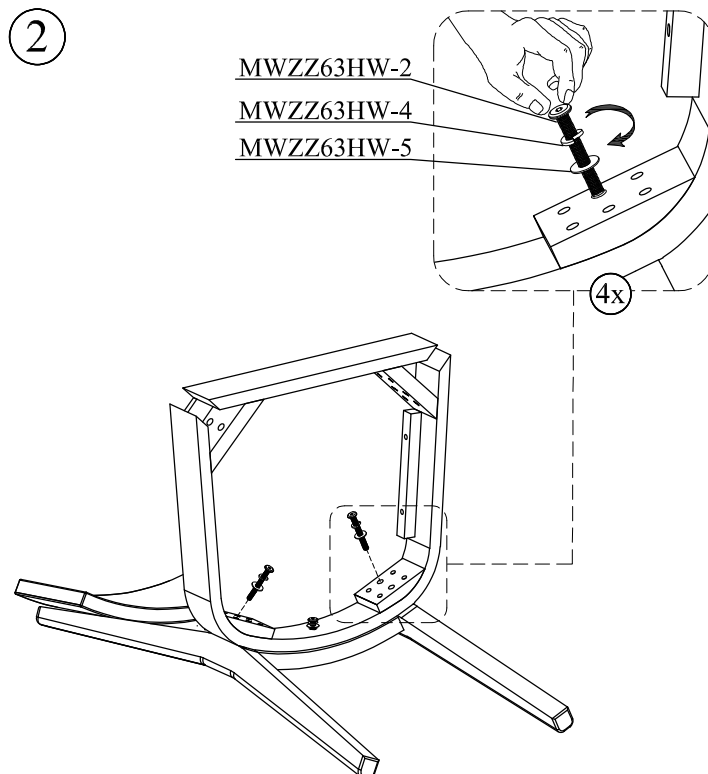
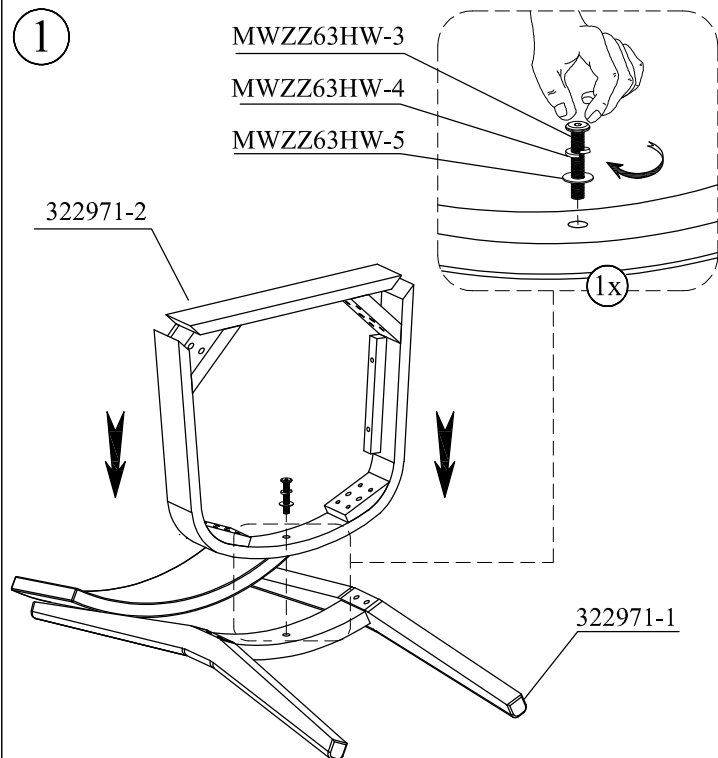
OWNER'S MANUAL

MARIKO UPHOLSTERED DINING CHAIR
LIVING SPACES SKU : 322971
VENDOR ITEM NO. : MWNJ63



Scan QR code to view assembly video

ASSEMBLY INSTRUCTIONS



LIVING SPACES

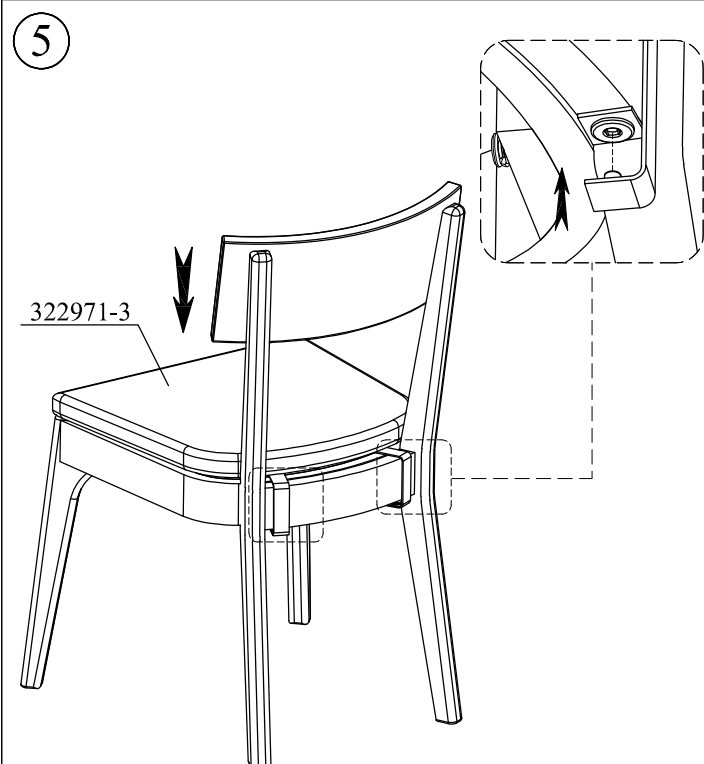
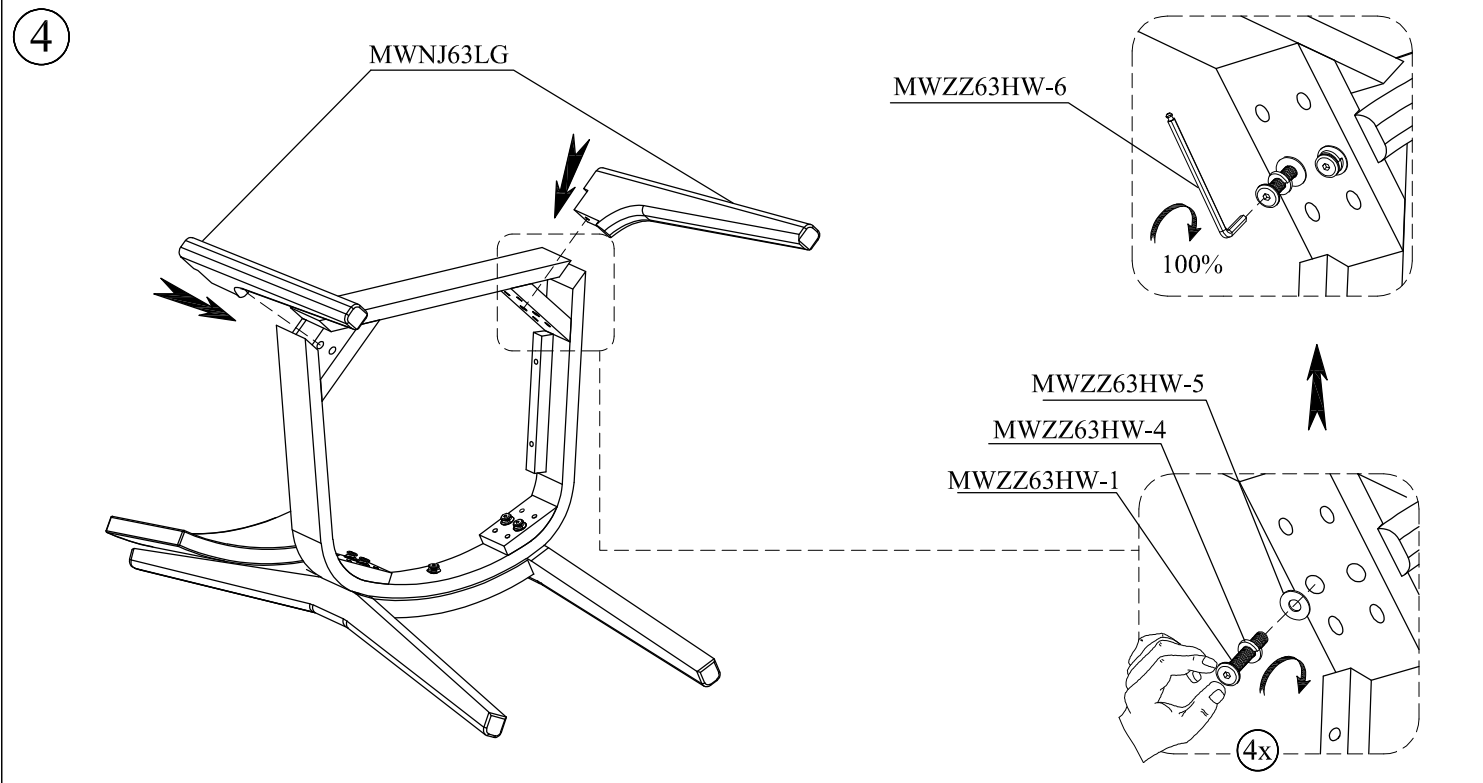
OWNER'S MANUAL

MARIKO UPHOLSTERED DINING CHAIR
LIVING SPACES SKU : 322971
VENDOR ITEM NO. : MWNJ63



Scan QR code to view assembly video

ASSEMBLY INSTRUCTIONS



ASSEMBLY COMPLETE

LIVING SPACES

OWNER'S MANUAL

MARIKO UPHOLSTERED DINING CHAIR
LIVING SPACES SKU : 322971
VENDOR ITEM NO. : MWNJ63



Scan QR code to view assembly video



WARNING:

- **Maximum distributed load capacity: 300 lbs.**
- **This product is designed for use in a normal seated position with all legs contacting the floor. Unintended use may result in damage or injury.**

ROUTINE MAINTENANCE:

Periodically check all fittings and tighten if necessary, as they can loosen over time.

CARE AND CLEANING:

SOLID WOOD FURNITURE:

Congratulations on purchasing this handcrafted solid wood furniture product. Please keep in mind that wood is sensitive to changes in humidity. As the weather changes so does the relative humidity in your home and the moisture content of your solid wood furniture. We have taken every precaution to stabilize the lumber used to build this product. Still, you may observe plank movement or small cracks as the seasons change, particularly during the first 6-12 months of ownership. This is normal for solid wood furniture and will not affect the performance or longevity of this product.

Dust frequently with a clean, damp, lint-free cloth. Frequent dusting will remove abrasive build-up which can damage a finish over time. Avoid using oily polishes or waxes. Avoid exposing your furniture to strong sunlight. Prolonged exposure to direct sunlight can fade the finish of your furniture. Do not expose your furniture to any liquids. Never allow water to sit on your furniture. Do not place hot items on top of surface, always use a mat or other protector. Alcohol, nail polish and perfume are also dangerous, as they can dissolve the furniture finish on contact and may require professional repairs.

UPHOLSTERY:

Avoid exposing your furniture to strong sunlight. Prolonged exposure to direct sunlight can fade the finish of your furniture. To clean spots and stains, please follow instructions per the fabric cleaning code. An annual professional cleaning is recommended to keep your upholstery looking its best.

LIVING SPACES

OWNER'S MANUAL

MARIKO UPHOLSTERED DINING CHAIR
LIVING SPACES SKU : 322971
VENDOR ITEM NO. : MWNJ63



Scan QR code to view assembly video

IDENTIFY AND CORRECT WOBBLY SEATING PRODUCTS:

Our seating products are tested on a leveling table prior to packaging. If after unpacking and/or assembly your chairs wobble, follow these steps to eliminate it:

1. If your chair is fitted with leveling feet, adjust them to eliminate the wobble. Please contact us for replacement levelers if yours are missing or damaged.
2. Verify floor protectors on the underside of the chair have not become loose or damaged during transit or assembly. Please contact us if you need replacement floor protectors.
3. Although they appear flat, all floors are uneven. Verify the floor is not causing the wobble by testing the chair in other positions. If you have multiple pieces of the same chair, some that wobble and some that don't, try reversing their positions. This will isolate whether the chair or the floor is causing the wobble.

The following steps apply to ready-to-assemble chairs only:

4. Check assembly fittings. Turn the chair upside down. Apply light to medium cross pressure to each leg, stretcher or other component to test whether it is installed tightly. Use tools indicated in the assembly instructions to tighten fittings as necessary.
5. Ready-to-assemble furniture is designed with small tolerances to facilitate assembly. Occasionally these tolerances can create a wobble, which can be eliminated by reseating the assembly hardware as follows:
 - a. Loosen all fittings a few turns until they are hand tight. Fittings need to be loose enough to be reseated but tight enough to retain their position while they are being re-tightened.
 - b. Place the chair upright on a level surface
 - c. Apply downward pressure on the seat, especially over and around legs that may appear to be longer than the others. Depending on the tightness of the bolts it may require significant pressure or multiple attempts to seat the bolts correctly.
 - d. Once the wobble is corrected, carefully reposition the chair so that assembly fittings are accessible. Being careful not to unseat fittings from their new positions, re-tighten the bolts with tools indicated in the assembly instructions.