

# LIVING SPACES



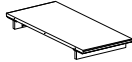

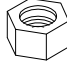
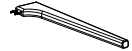

## OWNER'S MANUAL

MARIKO EXTENSION DINING TABLE  
 LIVING SPACES SKU : 322970  
 VENDOR ITEM NO. : MWNJ60

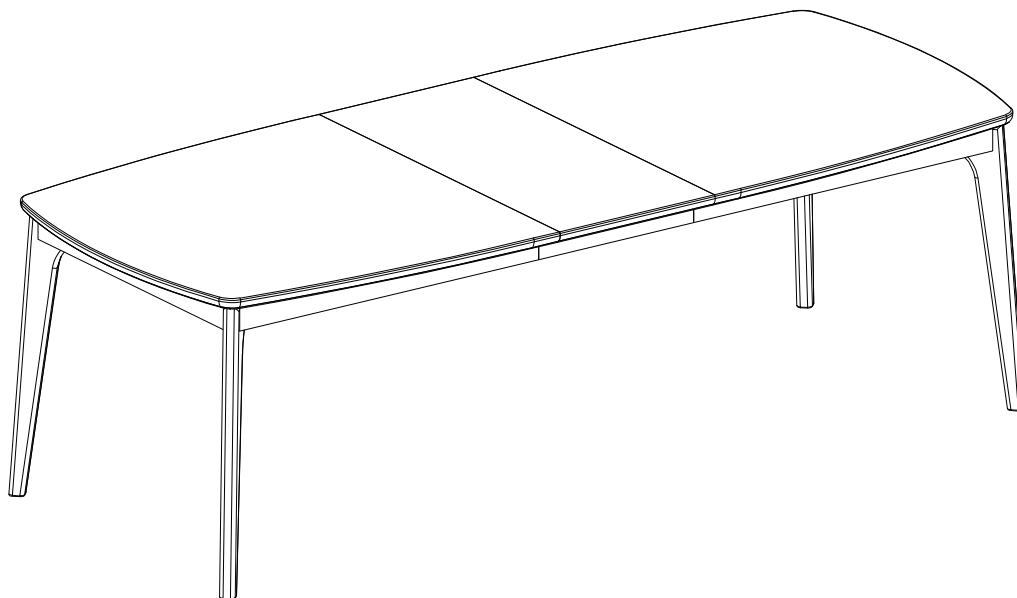


Scan QR code to view assembly video


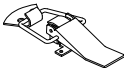
### ASSEMBLY PARTS LIST

SKU #	IMAGE	DESCRIPTION	QUANTITY	HARDWARE KIT PACKED IN BOX SKU : MWZZ60HW			
				SKU #	IMAGE	DESCRIPTION	QUANTITY
322970-1		TABLE TOP	1	MWZZ60HW-1		FLAT WASHER (M8)	8
322970-2		EXTENSION LEAF	1	MWZZ60HW-2		LOCK WASHER (M9)	8
				MWZZ60HW-3		HEX NUT (M8)	8
MWNJ60LG		LEG	4	MWZZ60HW-4		SPANNER	1

FULLY ASSEMBLED



### PRE-ASSEMBLED PARTS LIST

SKU #	IMAGE	DESCRIPTION	SKU #	IMAGE	DESCRIPTION
MWZZ60FC		FOOT CAP	MWZZ60LL		LOCKING LATCH

# LIVING SPACES

## OWNER'S MANUAL

MARIKO EXTENSION DINING TABLE

LIVING SPACES SKU : 322970

VENDOR ITEM NO. : MWNJ60

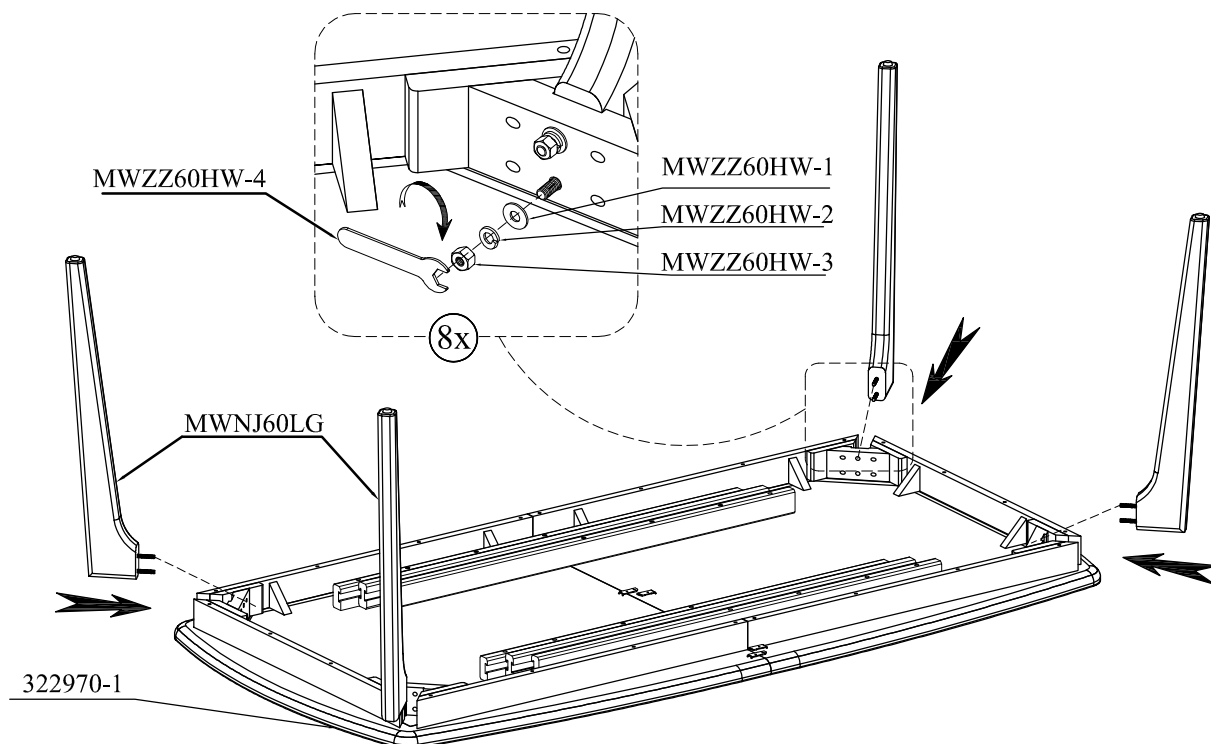


Scan QR code to view assembly video

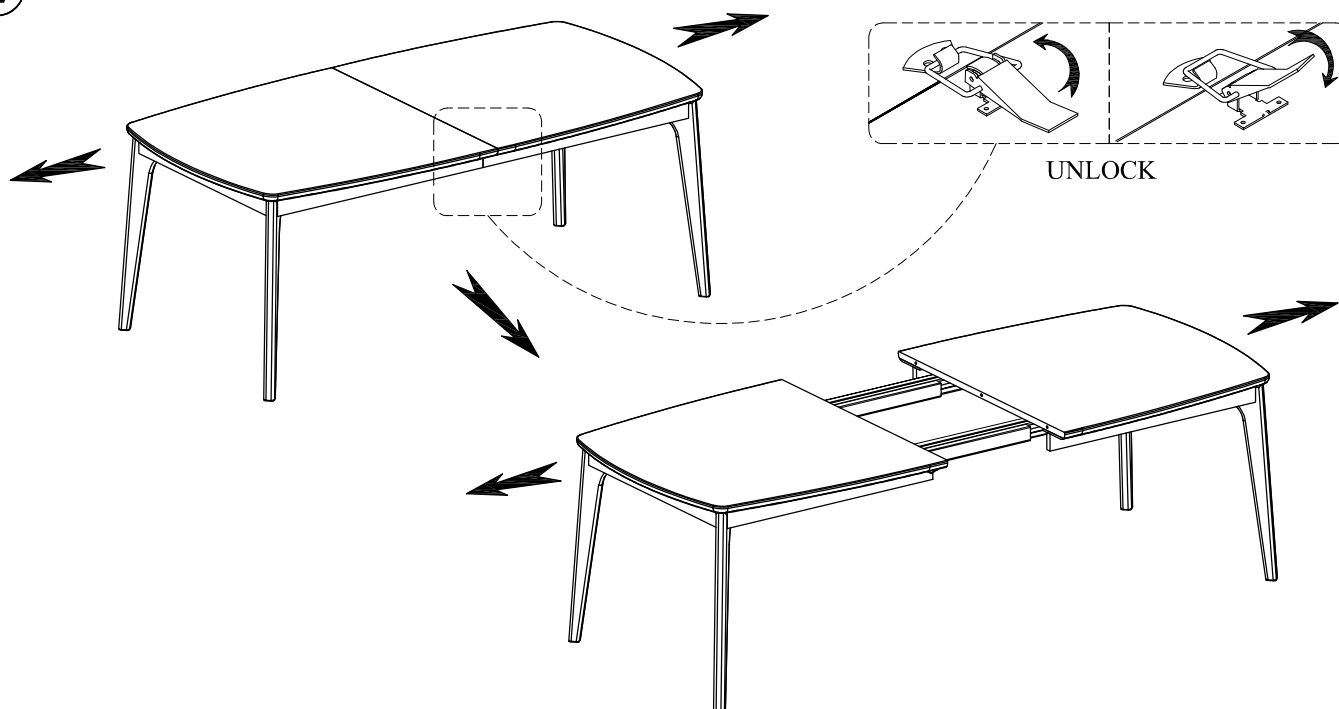
### ASSEMBLY INSTRUCTIONS



1



2



# LIVING SPACES

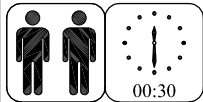
## OWNER'S MANUAL

MARIKO EXTENSION DINING TABLE  
LIVING SPACES SKU : 322970  
VENDOR ITEM NO. : MWNJ60

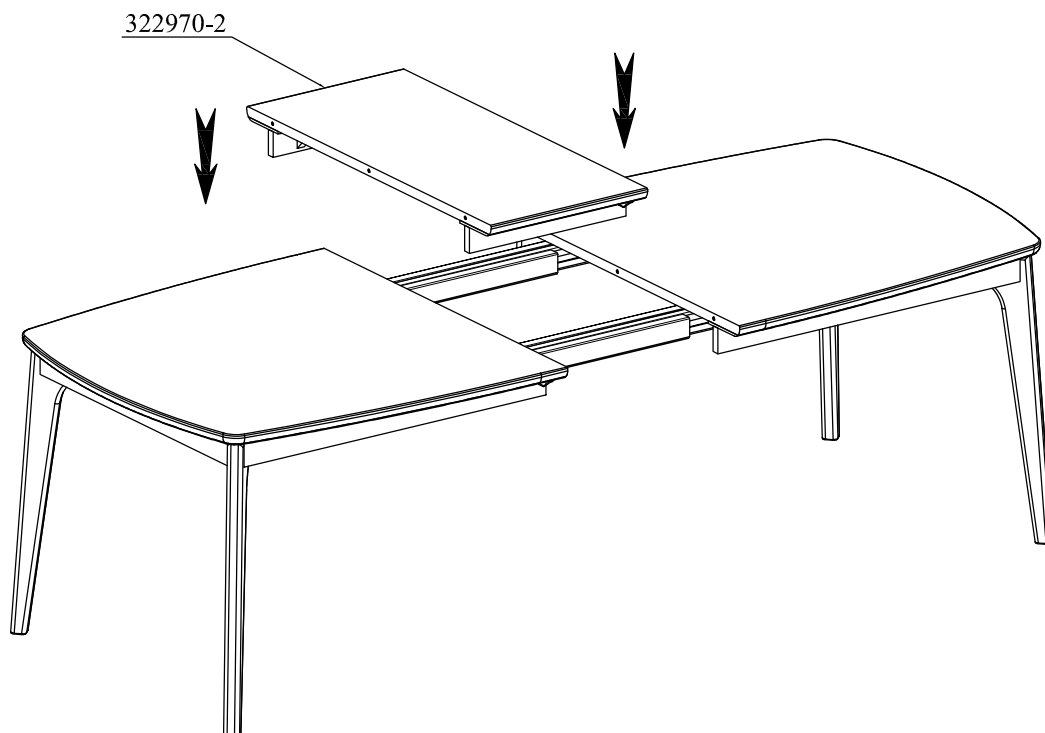


Scan QR code to view assembly video

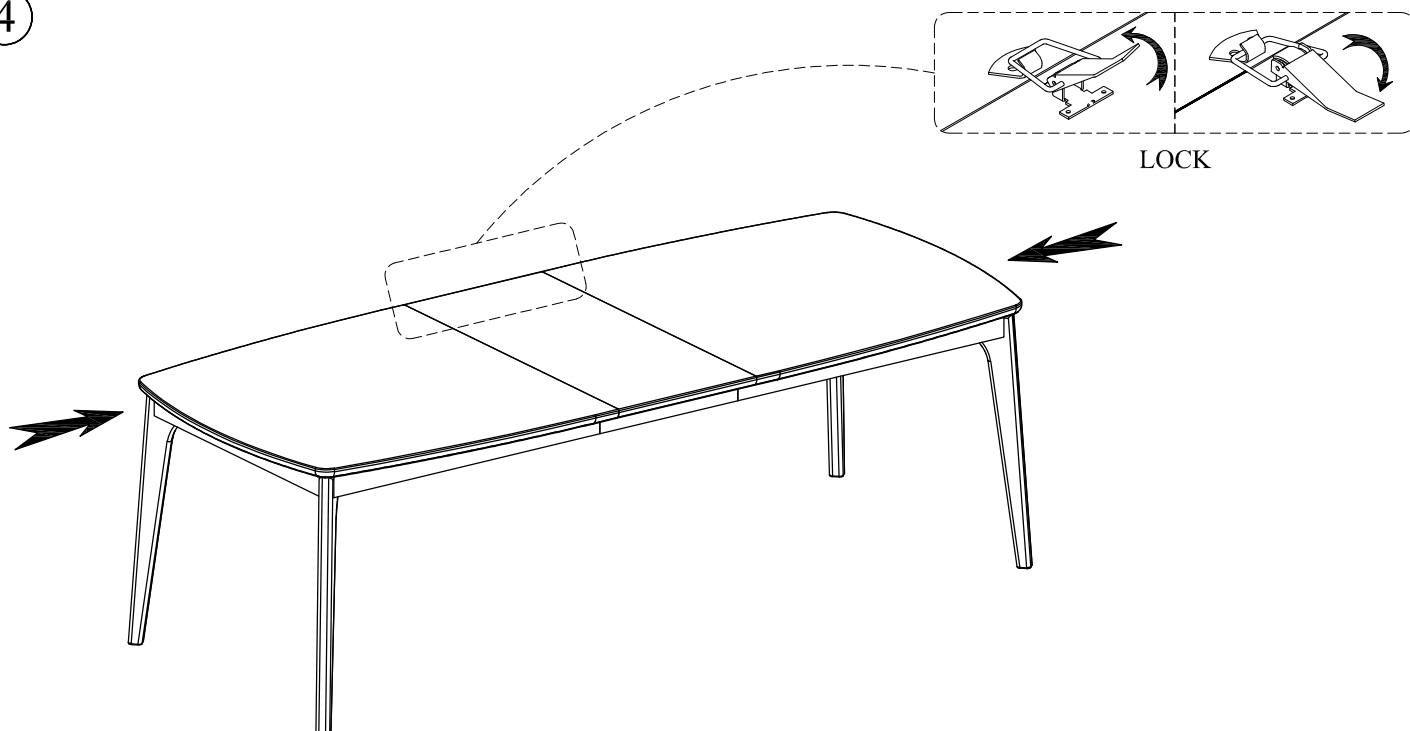
### ASSEMBLY INSTRUCTIONS



3



4



ASSEMBLY COMPLETE

# LIVING SPACES

## OWNER'S MANUAL

MARIKO EXTENSION DINING TABLE

LIVING SPACES SKU : 322970

VENDOR ITEM NO. : MWNJ60



Scan QR code to view assembly video



### WARNING:

- **Maximum distributed load capacity: 400 lbs.**
- **Sitting, standing or jumping on this product may result in damage or injury.**

### ROUTINE MAINTENANCE:

Periodically check all fittings and tighten if necessary, as they can loosen over time.

### CARE AND CLEANING:

#### SOLID WOOD FURNITURE:

Congratulations on purchasing this handcrafted solid wood furniture product. Please keep in mind that wood is sensitive to changes in humidity. As the weather changes so does the relative humidity in your home and the moisture content of your solid wood furniture. We have taken every precaution to stabilize the lumber used to build this product. Still, you may observe plank movement or small cracks as the seasons change, particularly during the first 6-12 months of ownership. This is normal for solid wood furniture and will not affect the performance or longevity of this product.

Dust frequently with a clean, damp, lint-free cloth. Frequent dusting will remove abrasive build-up which can damage a finish over time. Avoid using oily polishes or waxes. Avoid exposing your furniture to strong sunlight. Prolonged exposure to direct sunlight can fade the finish of your furniture. Do not expose your furniture to any liquids. Never allow water to sit on your furniture. Do not place hot items on top of surface, always use a mat or other protector. Alcohol, nail polish and perfume are also dangerous, as they can dissolve the furniture finish on contact and may require professional repairs.