

Headboard hardware located in velcro pouch in back of headboard.

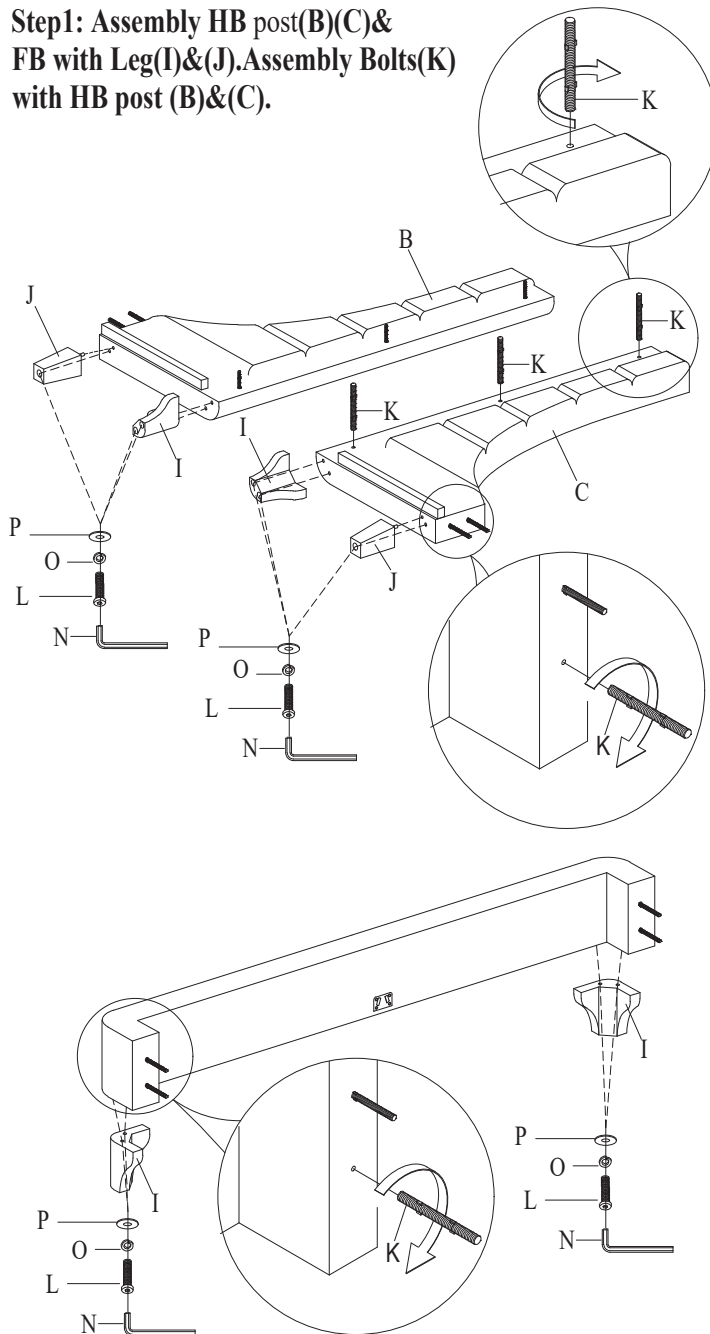
Footboard hardware located in one end of the footboard/siderails.

JEREMY

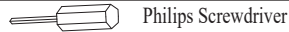
KING/QUEEN UPHOLSTERED SHELTER BED
SKU: 322727, 322728, 322733, 322734

Thank you for purchasing this quality product. Be sure to check all packing material carefully for small parts that may have come loose inside the carton during shipment.

Step1: Assembly HB post(B)(C)& FB with Leg(I)&(J).Assembly Bolts(K) with HB post (B)&(C).



TOOLS REQUIRED(NOT PROVIDED)



PARTS LIST:

No.	Description	Sketch	Quantity
A	Headboard		1 PC
B	HB post Left		1 PC
C	HB post Right		1 PC
D	Footboard		1 PC
E	Side Rail		2PCS
F	Center Rail Support Leg		3PCS
F1	Slat Support Leg		8PCS
G	Center Rail		1PC
H	Slats		4PCS
I	Leg		4PCS
J	Leg		2PCS

HB HARDWARE LIST: (4) LEG FOR HEADBOARD

No.	Description	Sketch	Size	Quantity
K	Bolt		Ø5/16"*4"	10PCS
L	Bolt		Ø5/16"*4"	6PCS
N	Allen Key		M5*4"	1PC
O	Spring Washer		Ø5/16"	16PCS
P	Flat Washer		Ø5/16"	16PCS
S	Spanner		M12	1PC
T	Nut		M8	10PCS

FB HARDWARE LIST: (2) LEG FOR FOOTBOARD

No.	Description	Sketch	Size	Quantity
K	Bolt		Ø5/16"*4"	4PCS
L	Bolt		Ø5/16"*4"	4PCS
M	Bolt		Ø5/16"*1-1/2"	11PCS
N	Allen Key		M5*4"	1PC
O	Spring Washer		Ø5/16"	8PCS
P	Flat Washer		Ø5/16"	19PCS
Q	Screw		Ø8*3/4"	4PCS
R	Screw		Ø8*1-1/2"	8PCS
S	Spanner		M12	1PC
T	Nut		M8	4PCS
U	Metal bracket		50*32*30*2	2SET

K	Bolt		Ø5/16"*4"	14PCS
L	Bolt		Ø5/16"*4"	10PCS
O	Spring Washer		Ø5/16"	10PCS
P	Flat Washer		Ø5/16"	10PCS
N	Allen Key		Ø5/16"*4"	1 PC

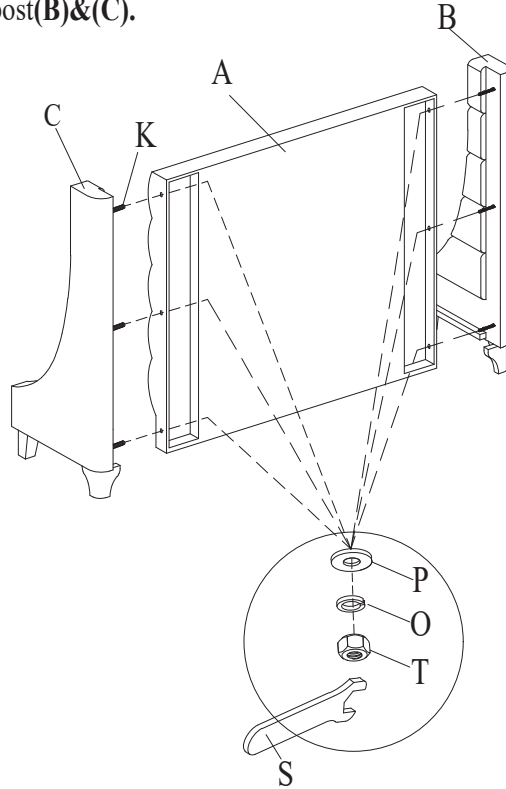
JEREMY





KING/QUEEN UPHOLSTERED SHELTER BED

SKU: 322727, 322728, 322733, 322734

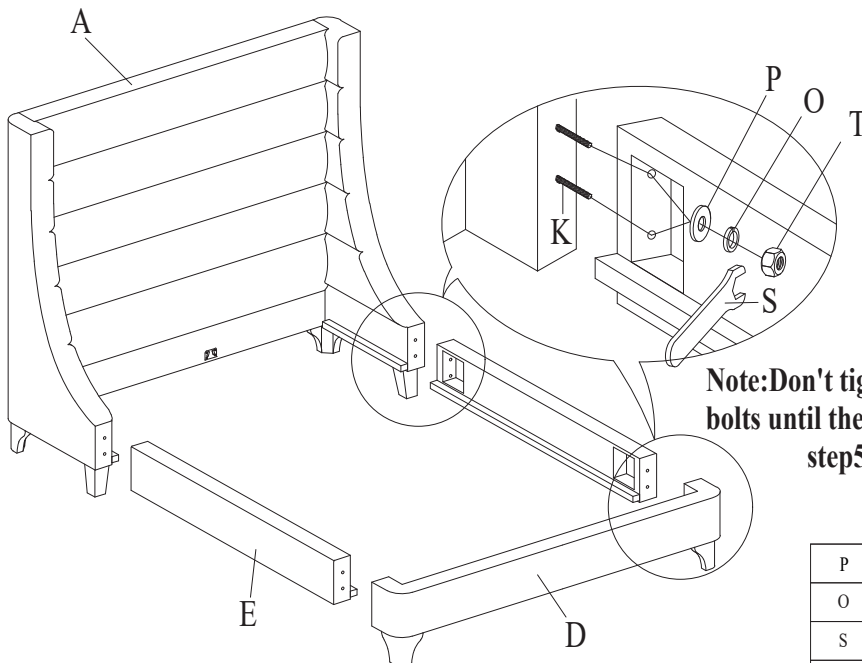
Thank you for purchasing this quality product. Be sure to check all packing material carefully for small parts that may have come loose inside the carton during shipment.





Step2: Assembly HB(A) with post(B)&(C).



P	Flat Washer		Ø5/16"	6PCS
O	Spring Washer		Ø5/16"	6PCS
S	Spanner		M12	1PC
T	Nut		M8	6PCS

Step3: Assembly Side Rail(E) with HB(A)&FB(D).



P	Flat Washer		Ø5/16"	8PCS
O	Spring Washer		Ø5/16"	8PCS
S	Spanner		M12	1PC
T	Nut		M8	8PCS

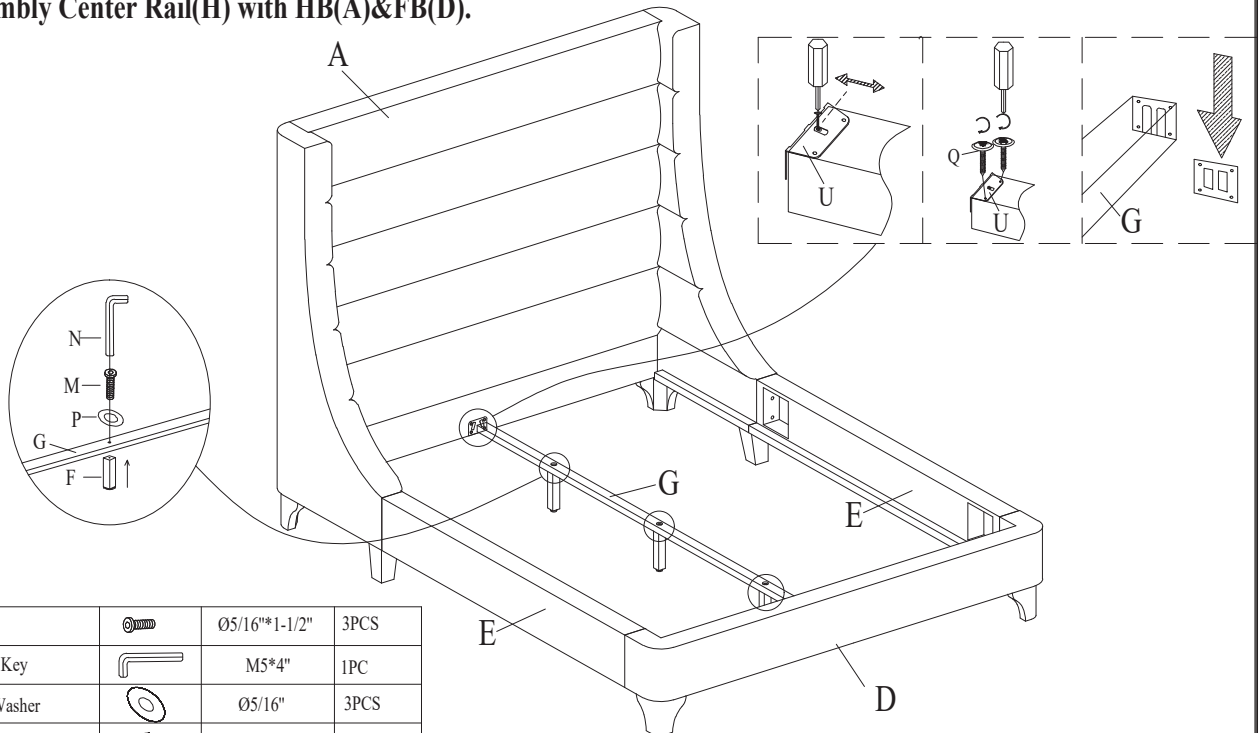
JEREMY



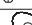

KING/QUEEN UPHOLSTERED SHELTER BED

SKU: 322727, 322728, 322733, 322734

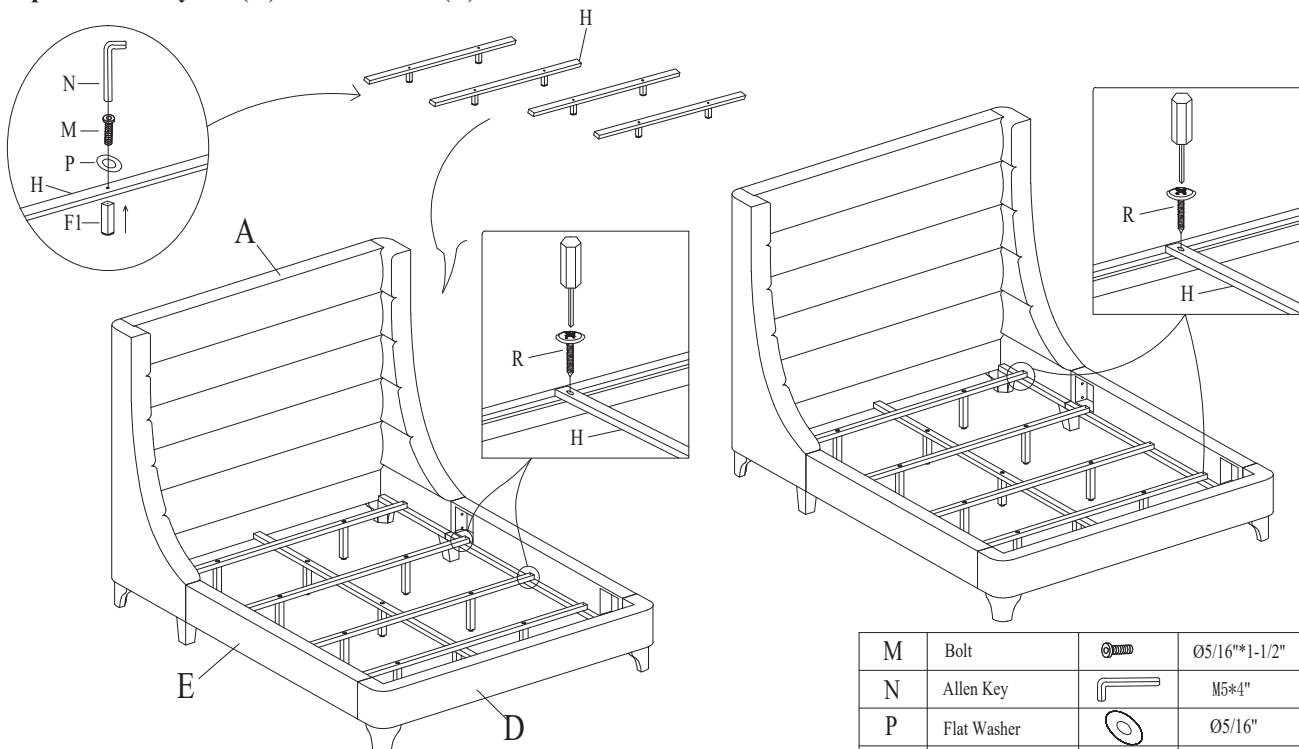
Thank you for purchasing this quality product. Be sure to check all packing material carefully for small parts that may have come loose inside the carton during shipment.



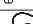

Step4: Assembly Center Rail(H) with HB(A)&FB(D).



M	Bolt		Ø5/16"*1-1/2"	3PCS
N	Allen Key		M5*4"	1PC
P	Flat Washer		Ø5/16"	3PCS
Q	Screw		Ø8*1"	4PCS

Step 5: Assembly slat(H) with side Rail(E).



M	Bolt		Ø5/16"*1-1/2"	8PCS
N	Allen Key		M5*4"	1PC
P	Flat Washer		Ø5/16"	8PCS
R	Screw		Ø8*1-1/2"	8PCS

JEREMY

KING/QUEEN UPHOLSTERED SHELTER BED

SKU: 322727, 322728, 322733, 322734

Thank you for purchasing this quality product. Be sure to check all packing material carefully for small parts that may have come loose inside the carton during shipment.

Step 6: Completed assembly for a regular bed.

