

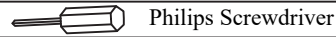
Headboard hardware located in velcro pouch in back of headboard.  
Footboard hardware located in one end of the footboard/siderails.

# JACQUELINE

QUEEN/KING/CAL.KING UPHOLSTERED SLEIGH BED  
SKU: 322715, 322719, 322723

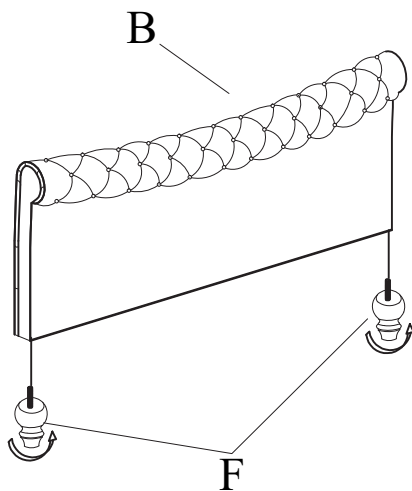
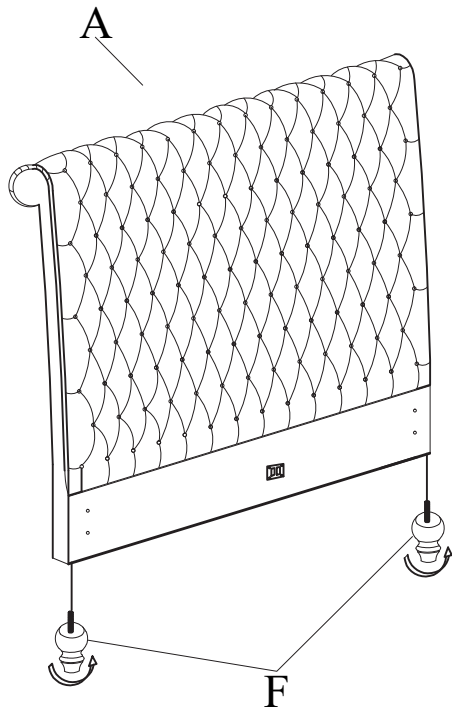
**Thank you for purchasing this quality product. Be sure to check all packing material carefully for small parts that may have come loose inside the carton during shipment.**

### TOOLS REQUIRED(NOT PROVIDED)



Philips Screwdriver

Step1: Assembly HB(A),FB(B) with Leg(F).



### PARTS LIST:

No.	Description	Sketch	Quantity
A	Headboard		1PC
B	Footboard		1PC
C	Side Rail		2PCS
D	Centre Rail		1PC
E	Center Rail Support Leg	1.2"*1.2"*7"	3PCS
E1	Slat Support Leg	1.2"*1.2"*8"	8PCS
F	Leg	3"*3"*5.5"	4PCS
G	Slats		4PCS

### HB HARDWARE LIST:(2) FEET FOR HEADBOARD

No.	Description	Sketch	Size	Quantity
F	Leg		3"*3"*5.5"	2PCS
K	Spring Washer		Ø5/16"	2PCS
L	Flat Washer		Ø5/16"	2PCS

### FB HARDWARE LIST:(2) FEET FOR FOOTBOARD

No.	Description	Sketch	Size	Quantity
H	Bolt		Ø5/16"*2-1/2"	4PCS
I	Bolt		Ø5/16"*1-1/2"	15PCS
J	Allen Key		M5*4"	1PCS
K	Spring Washer		Ø5/16"	6PCS
L	Flat Washer		Ø5/16"	25PCS
M	Screw		ø8*1"	4PCS
N	Screw		ø8*1-1/2"	8PCS
O	Spanner		M12	1PC
P	Nut		M12	4PCS
Q	Leg		3"*3"*5.5"	2PCS
R	Metal bracket		50*32*30*2	2SET

Headboard hardware located in velcro pouch in back of headboard.  
 Footboard hardware located in one end of the footboard/siderails.

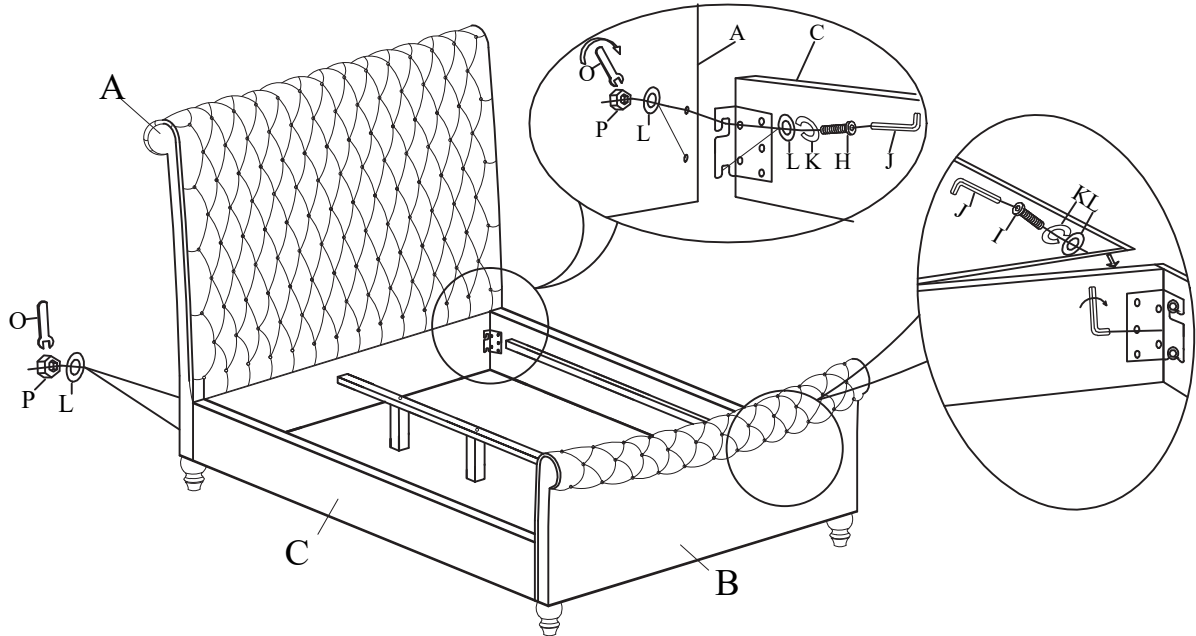
# JACQUELINE

QUEEN/KING/CAL.KING UPHOLSTERED SLEIGH BED

SKU: 322715, 322719, 322723

**Thank you for purchasing this quality product. Be sure to check all packing material carefully for small parts that may have come loose inside the carton during shipment.**

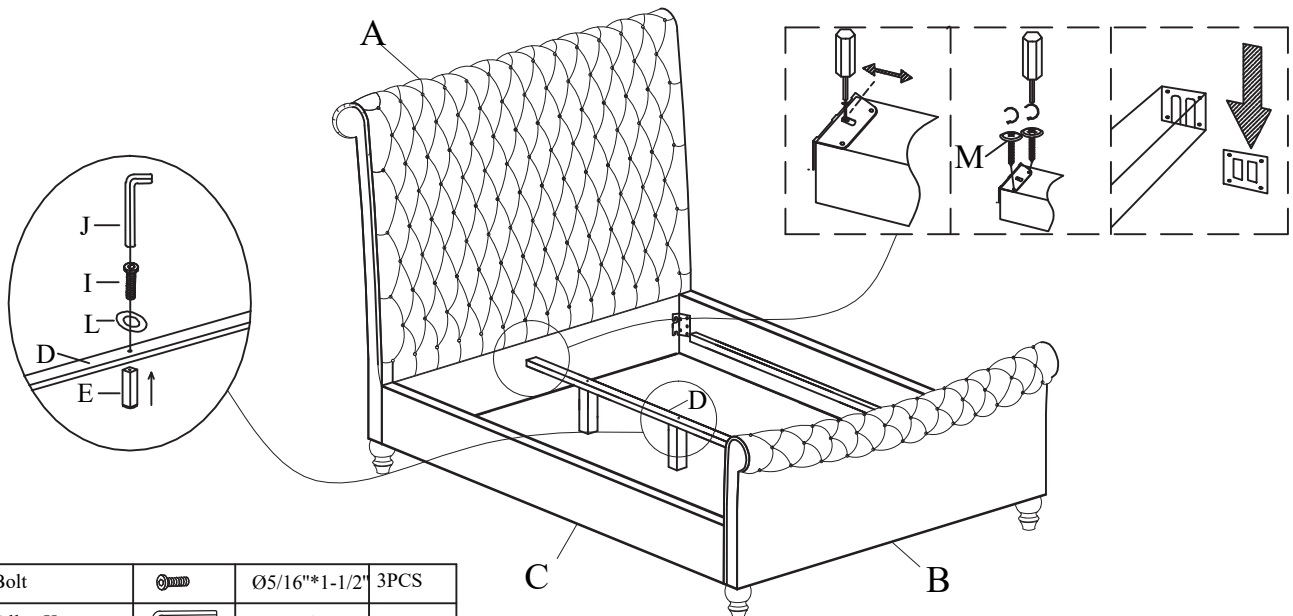
## Step2: Assembly Side Rail(C) with HB(A)&FB(B).



L	Flat Washer		Ø5/16"	12PCS
K	Spring Washer		Ø5/16"	8PCS
O	Spanner		M12	1PC
P	Nut		M12	4PCS

H	Bolt		5/16"*2-1/2"	4PCS
I	Bolt		5/16"*1-1/2"	4PCS
J	Allen Key		M5	1PC

## Step3: Assembly Center Rail(D) with HB(A)&FB(B).



I	Bolt		Ø5/16"*1-1/2"	3PCS
J	Allen Key		M5*4"	1PC
L	Flat Washer		Ø5/16"	3PCS
M	Screw		Ø8*1"	4PCS

Headboard hardware located in velcro pouch in back of headboard.  
 Footboard hardware located in one end of the footboard/siderails.

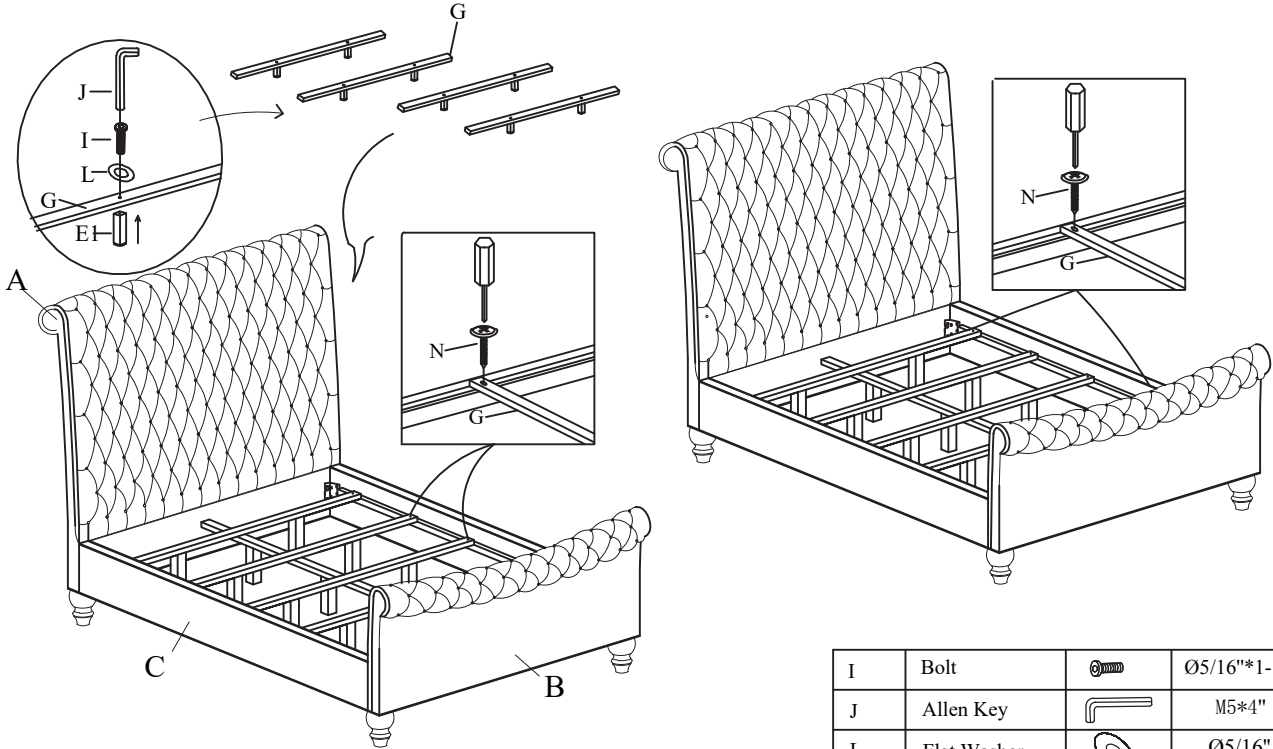
# JACQUELINE

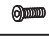



QUEEN/KING/CAL.KING UPHOLSTERED SLEIGH BED

SKU: 322715, 322719, 322723

**Thank you for purchasing this quality product. Be sure to check all packing material carefully for small parts that may have come loose inside the carton during shipment.**

## Step 4: Assembly slat(G) with side Rail(C).



I	Bolt		Ø5/16"*1-1/2"	8PCS
J	Allen Key		M5*4"	1PC
L	Flat Washer		Ø5/16"	8PCS
N	Screw		Ø8*1-1/2"	8PCS

## Step 6: Completed assembly for a regular bed.

