



LIVING SPACES

Assembly Instructions

CLOUDY

— Queen Bed —

ITEM# YB2156

Carton 1

NO.	DES.		QTY
A	Headboard & Assembly Hardware		1

Hardware (in carton 1 box)

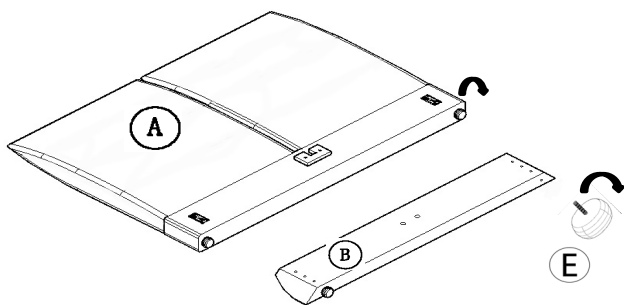
NO.	DES.		QTY	
E	Wood leg		4	
F	U shape block		1	
G	Center Support leg		3	
F-1	Bolt		6*25mm	18
F-2	Washer		6.5*19*2mm	20
F-3	Wrench		4*43*60mm	2

Queen Size

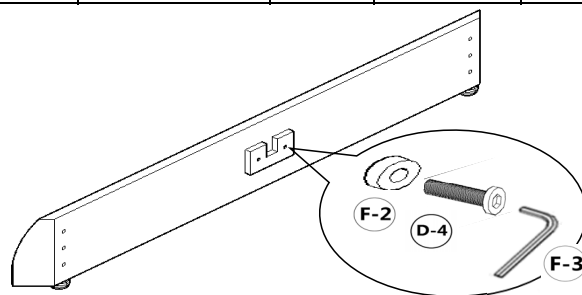
Carton 2

NO.	DES.		QTY
B	Footboard		1
C	Rails		2
D	1PC Center Support		1
H	13PCS slat roll		1 set

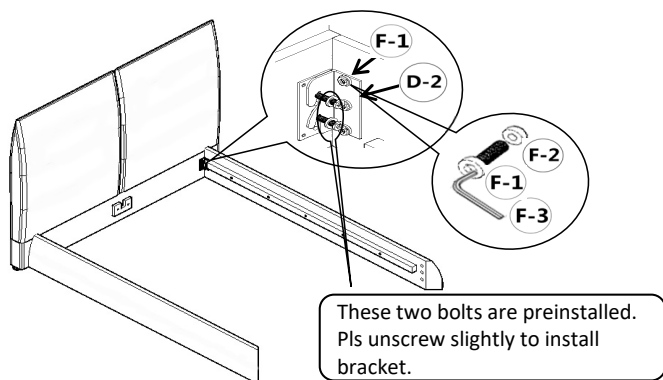
NO.	DES.		QTY	
D-1	Rail corner bracket-Left (facing)		1	
D-2	Rail corner bracket-Right (facing)		1	
D-3	Footboard corner bracket		2	
D-4	Bolt		6*60mm	2
D-5	Screw		40mm	8



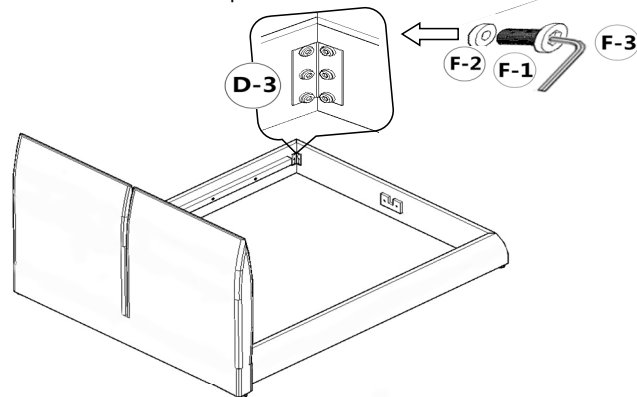
1. Assemble the wood legs for the headboard / footboard



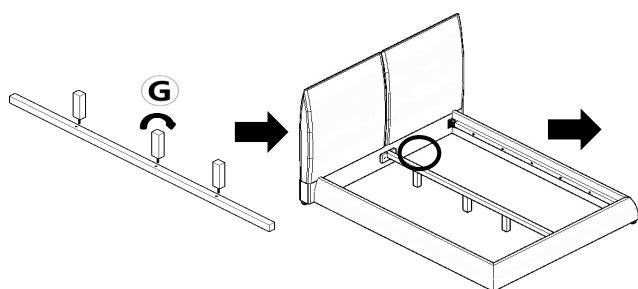
2. Assemble the U shape block on the footboard



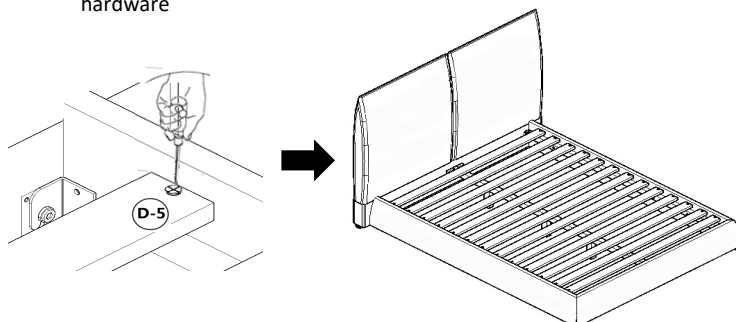
3. Assemble the headboard and rails with the bracket and hardware



4. Assemble the footboard and rails with the bracket and hardware



5. Assemble the middle support leg, put middle slats into U shape blocks.



6. Finally, put 13pcs slats roll on the bed and use screw attached. Bed assemble finished.