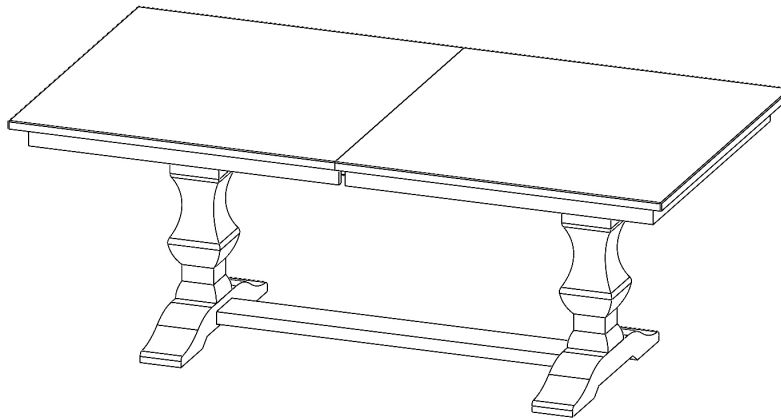


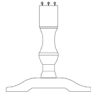

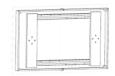

Barton Trestle Table

Assembly Instructions


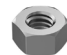
BNTB4280212-03-103-TM-EM-SS



PARTS LIST

No	Item		Qty
1	Trestle Base		2
2	Stretcher Bar		1
3	Table Top		1
4	Leaves		2

HARDWARE LIST

No	Item		Qty
1	5/16" Zinc USS Flat Washers		6
2	5/16-18 Hex Nut Zinc		6

TOOLS REQUIRED *(not provided)*

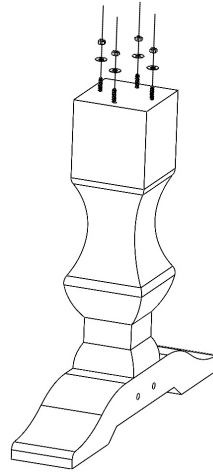
1. 1/2" Socket & Ratchet

Please make sure to check all packaging materials carefully for small hardware that may have come loose inside the carton during shipment. Refer to the chart above to ensure you have all the parts before assembling.

We recommend assembling your piece on carpet, area rug or floor padding to reduce the likelihood of your furniture being damaged.

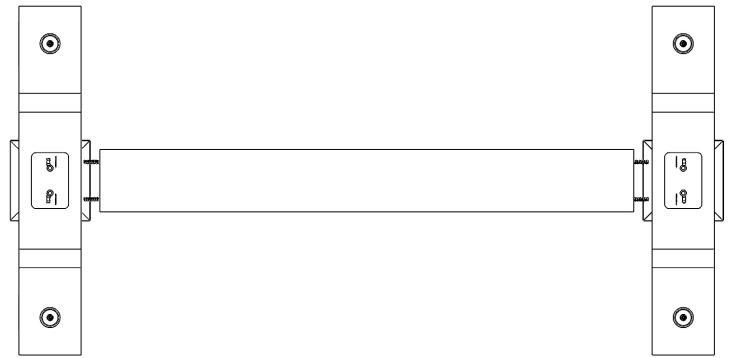
STEP 1

Remove all nuts & washers from threaded bolts that extrude from the pedestal.



STEP 2

Fasten stretcher to trestle ends. Tighten with nuts and bolts that are provided.



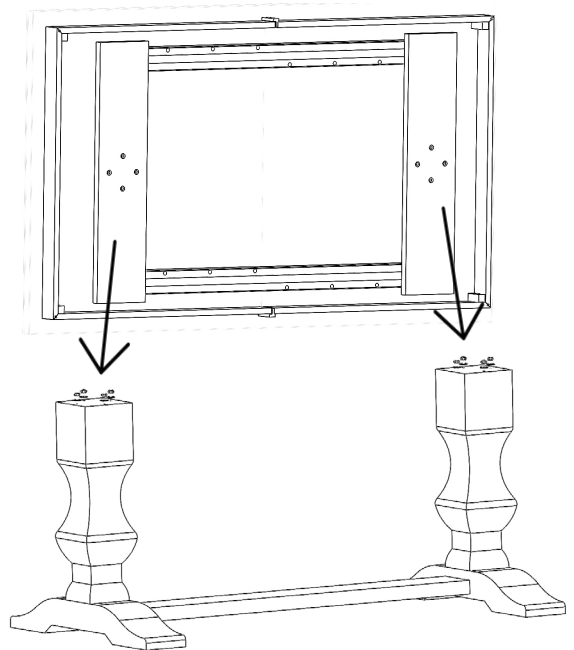
STEP 3 - Requires Two People

Set top on top of the trestle ends. Align bolts with the corresponding holes in the plate.

Unlock table and slide open until the mounting plates are exposed. This will make it easier to secure the top

Insert washer and nuts and tighten until snug.

DO NOT OVER-TIGHTEN



Video Instructions

