



LIVING SPACES

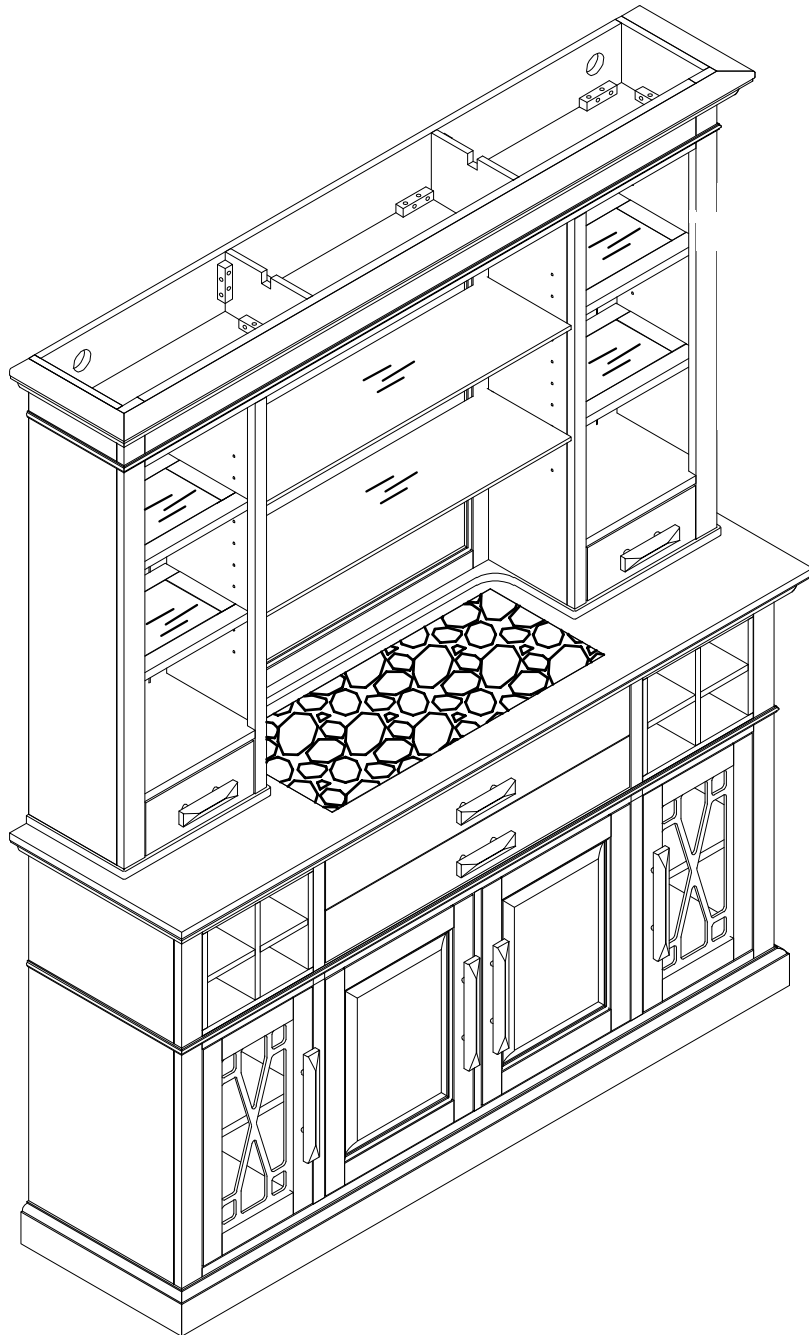
Assembly Instruction

Item No: 321913

Description : SUNLIGHT SANDSTONE 2PC 66 IN. BUFFET / BAR DISPLAY HUTCH WITH QUARTZ I

2022-06-07

SUNLIGHT





LIVING SPACES

Assembly Instruction


Item No : 321913

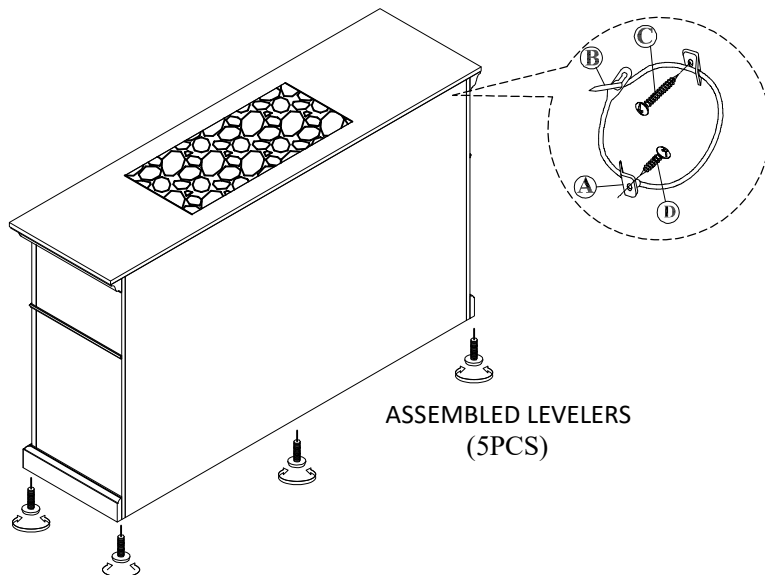
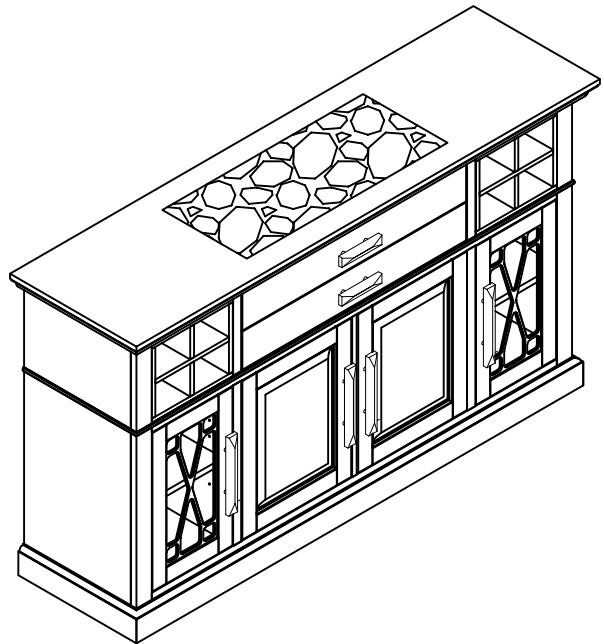
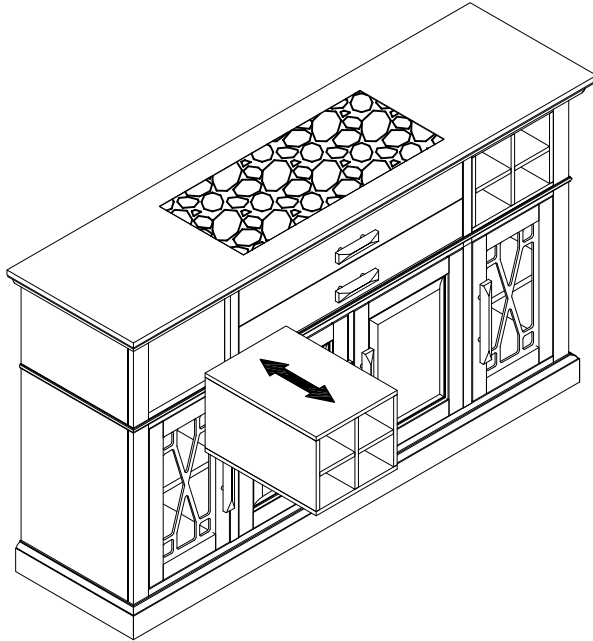
Description : SUNLIGHT SANDSTONE 2PC 66 IN. BUFFET / BAR DISPLAY HUTCH WITH QUARTZ I

SUNLIGHT

2022-06-07

HARDWARE LIST

No	Description	Sketch	Q'TY
A	Anti-tip hardware		1 SET




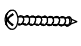

The anti tip hardware should be installed utilizing the wood blocks at the sides as shown.
Do not use the back panel for anti tip hardware installation

Item No: 321913

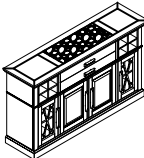
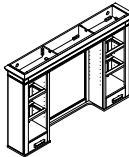
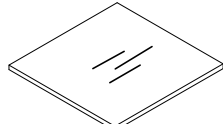
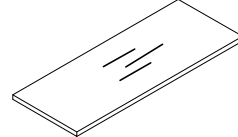
Description : SUNLIGHT SANDSTONE 2PC 66 IN. BUFFET / BAR DISPLAY HUTCH WITH QUARTZ I

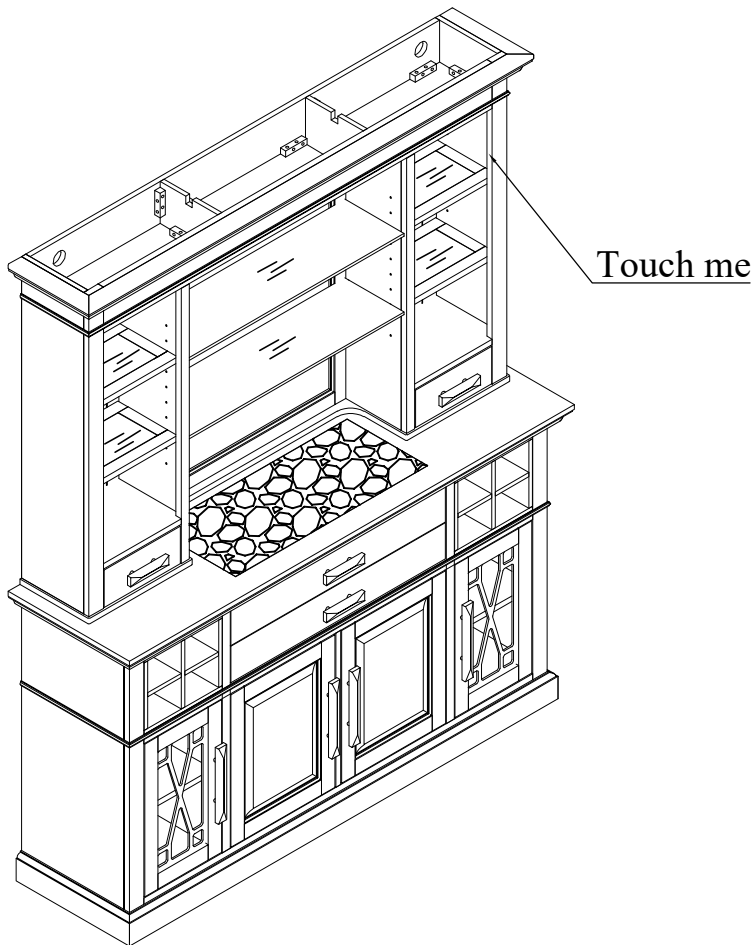
2022-06-07

HARDWARE LIST

No	Description	Sketch	Q'TY
A	Anti-tip hardware		1 SET
B	Screw 3.5 x5/8"(15mm)		2 Pcs
C	Shelf holder		8 Pcs

PARTS LIST

DSUN#66B-SS BUFFET SERVER 66 IN. X 19 IN. WITH QUARTZ INSERT (1 PC)	
	
DSUN#66H-SS BAR DISPLAY HUTCH 66 IN.	
BAR DISPLAY HUTCH (1 PC)	SIDE GLASS SHELF (4 PCS)
	
	CENTER GLASS (2 PCS)
	





Assembly Instruction

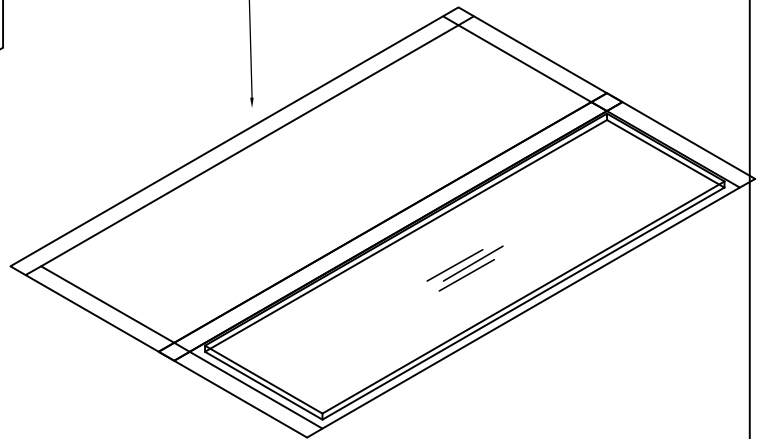
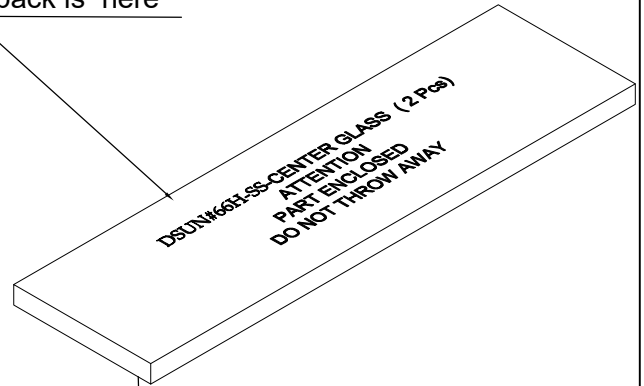
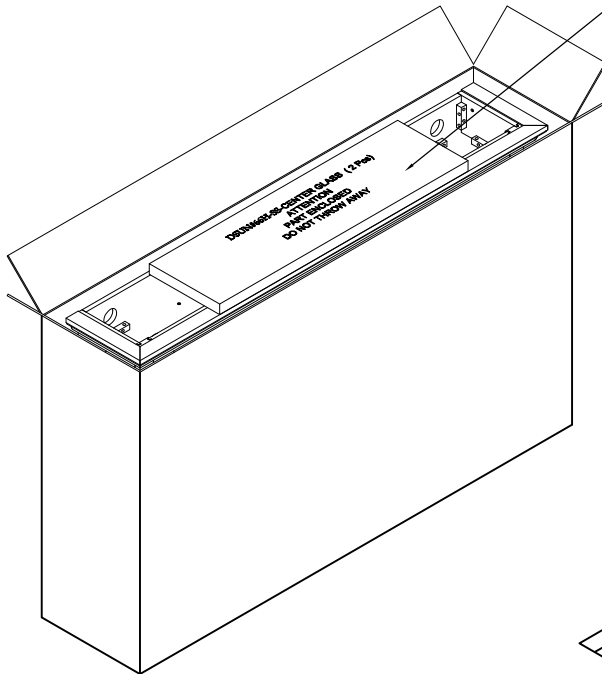
SUNLIGHT

Item No: 321913

Description : SUNLIGHT SANDSTONE 2PC 66 IN. BUFFET / BAR DISPLAY HUTCH WITH QUARTZ I

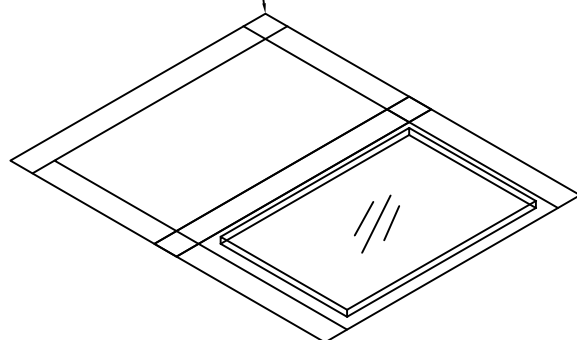
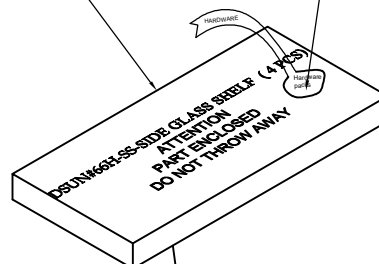
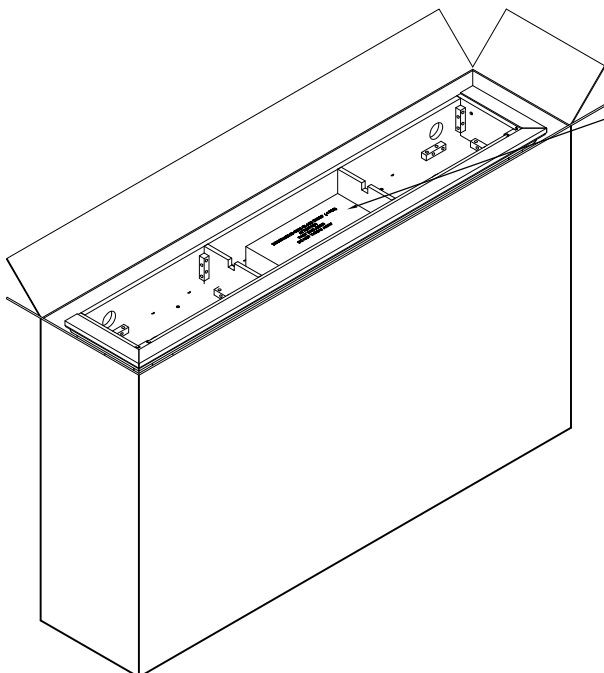
2022-06-07

Glass Center
pack is here



Side Glass Shelf
pack is here

Hardware pack
is screwed here





LIVING SPACES

Assembly Instruction

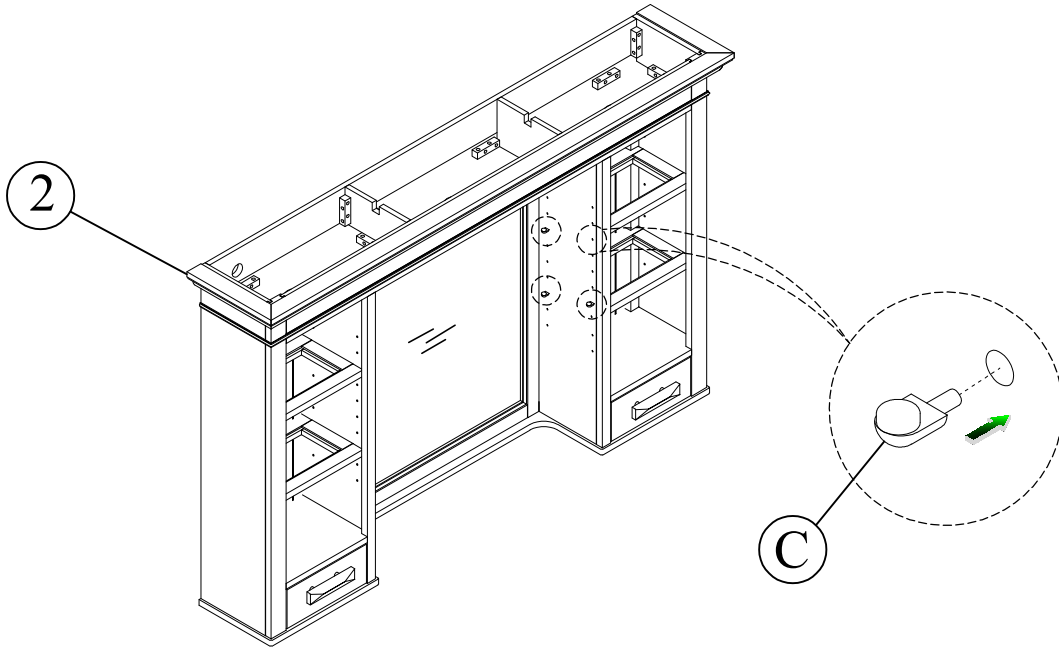
Item No: 321913

Description : SUNLIGHT SANDSTONE 2PC 66 IN. BUFFET / BAR DISPLAY HUTCH WITH QUARTZ I

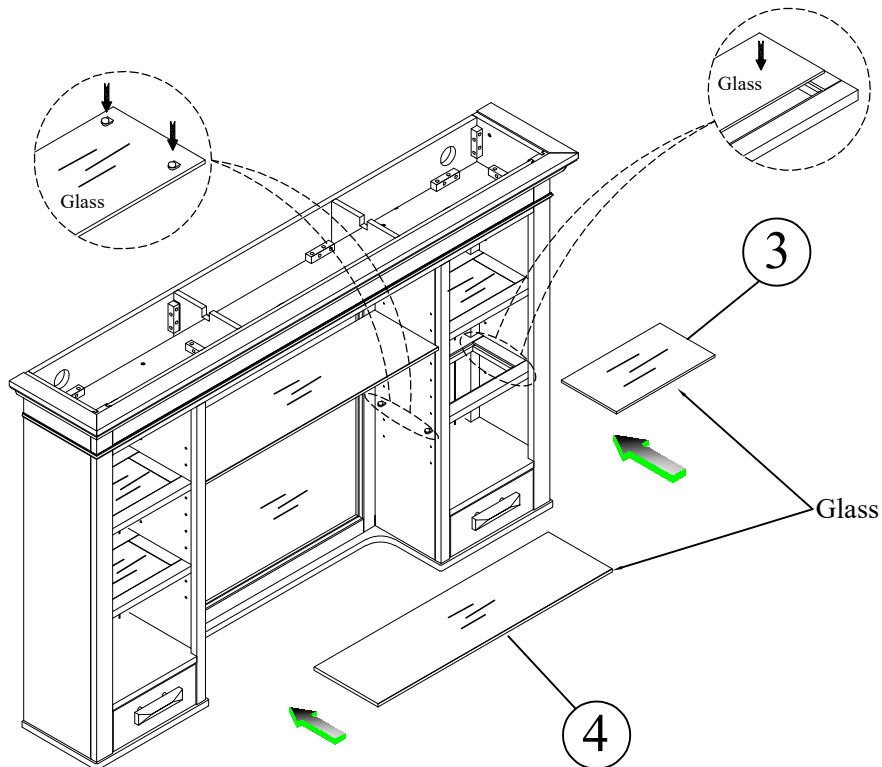
SUNLIGHT

2022-06-07

STEP 1



STEP 2





LIVING SPACES

Assembly Instruction

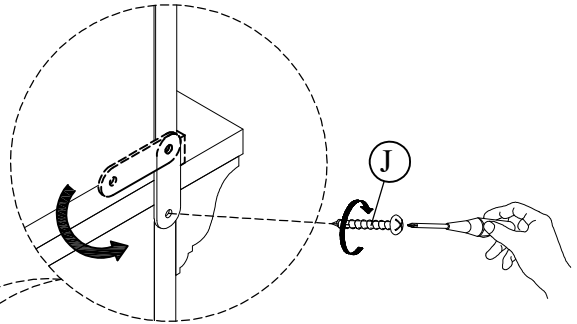
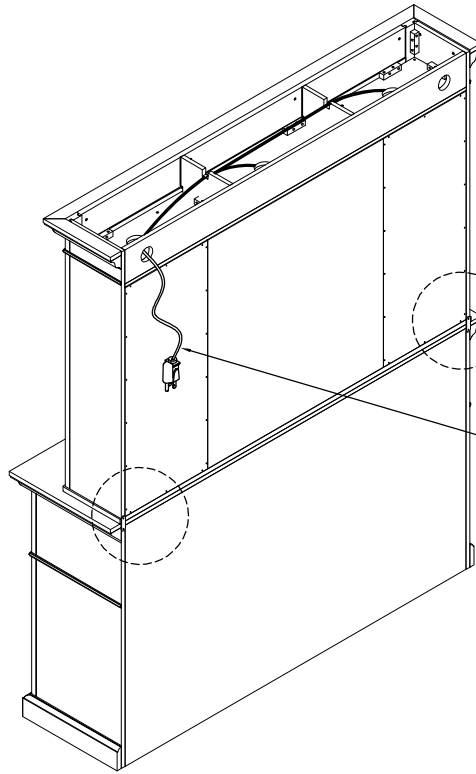
Item No: 321913

Description : SUNLIGHT SANDSTONE 2PC 66 IN. BUFFET / BAR DISPLAY HUTCH WITH QUARTZ I

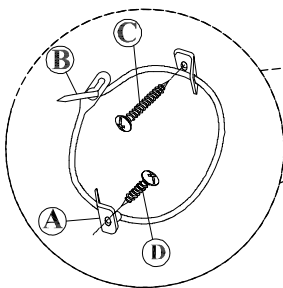
SUNLIGHT

2022-06-07

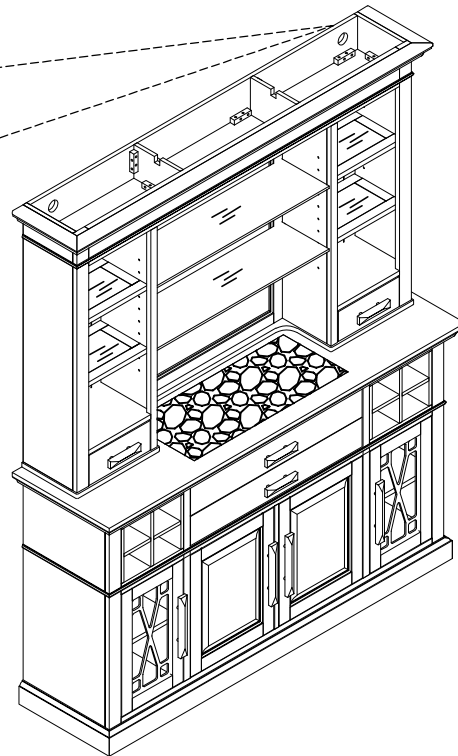
STEP 3



Power outlet
for lights



The anti tip hardware is to be installed using the solid wood corners avoiding the mirror.



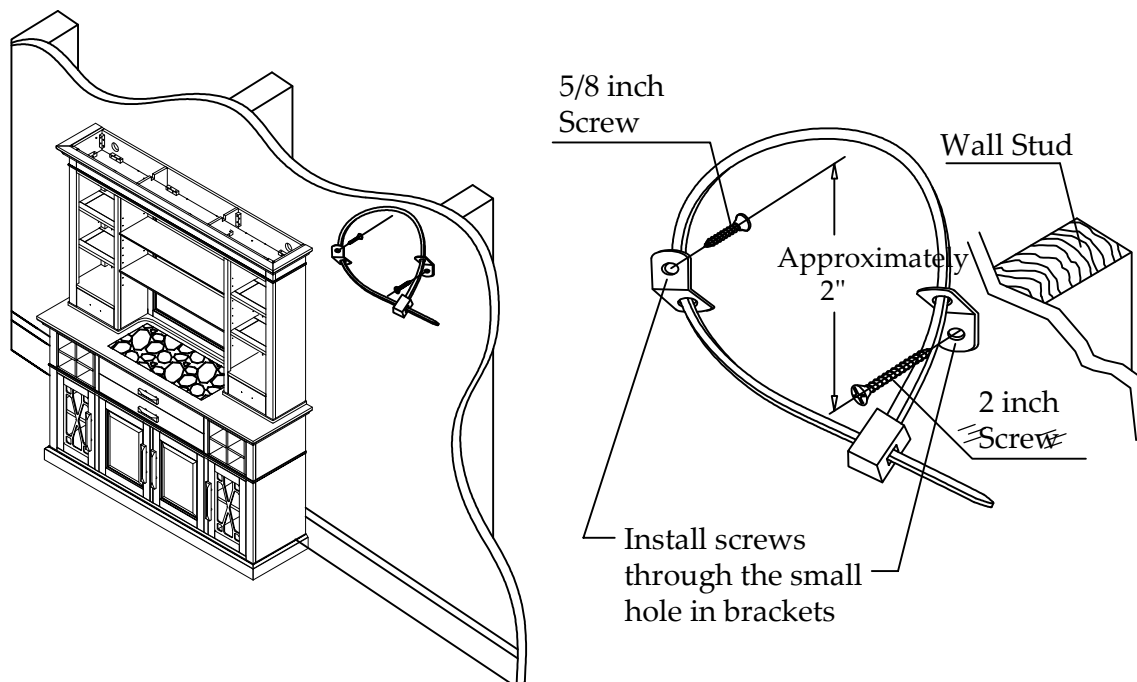


LIVING SPACES

Anti-Tip Hardware Installation Instructions

2022-06-07

Notice: In homes where small children may be present, it is recommended that steps be taken for certain furniture items to prevent or minimize the risk of tip-over. This furniture is equipped with Tip-over Restraint Hardware to minimize this risk, if used. Please follow the below installation steps. The U.S. Consumer Product Safety Commission (CPSC) recommends that parents and guardians periodically visit the CPSC website at <http://www.cpsc.gov/> and stay up to date on all issues related to children's product safety.



1. Temporarily locate the furniture to near its final location in the room next to a wall. Locate a wall stud behind your furniture and also mark the stud's location on the back of your furniture.
2. Firmly attach one bracket to the stud approximately 2" below the top of the furniture with the **2 inch long** Wood Screws provided. It may be necessary to drill 3/32 dia. pilot holes for the screws.
3. Firmly attach the other bracket onto a solid, structural part on the back of the furniture using the **5/8 inch long** Wood Screws. It may also be necessary to pilot bore for these screws.
4. Move the furniture into its final position, taking care to line up the wall bracket with the furniture bracket. Thread a strap through the bracket as shown in the illustration. Tighten strap until snug but do not over tighten.

Caution: Parker House. assumes no liability for improper installation or excessive loads placed on screws, brackets or straps. Failure to detach this restraint before moving furniture may result in personal injury and property damage.

Warning: This tip-over restraint is not to be a substitute for proper adult supervision. Do not allow children to climb on furniture. Items left on top of the TV and furniture, such as toys, remote controls and treats might tempt young children to climb. Push the TV as far back as possible from the front of its stand. Place electrical cords out of a child's reach, and teach children not to play with the cords.