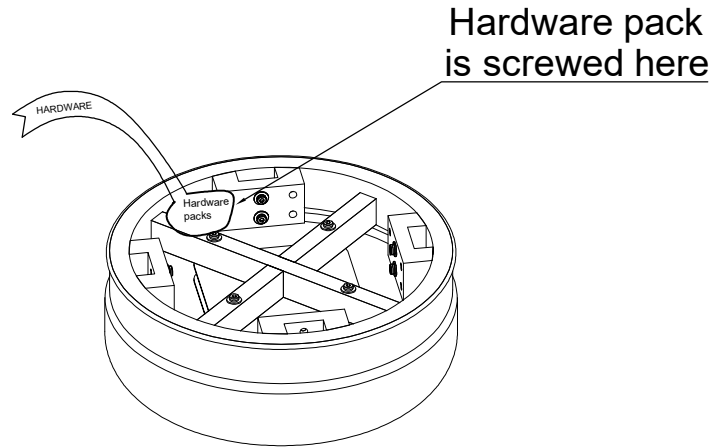
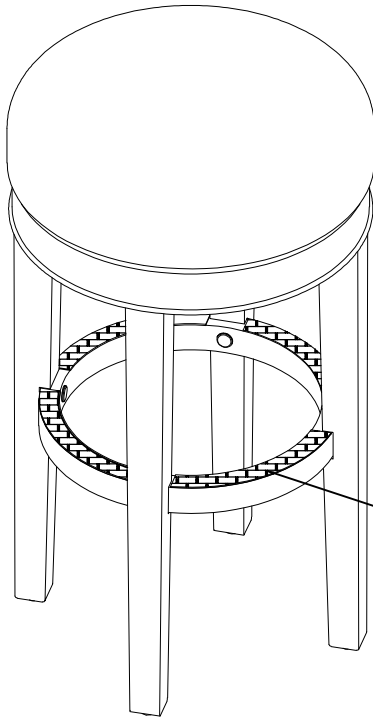


### HARDWARE LIST

No	Description	Sketch	Q'TY
A	Allen Wrench 4mm		1PC
B	Bolt Ø1/4"x1-9/16(40mm)		12 Pcs
C	Lock Washer Ø1/4"		12 Pcs
D	Flat Washer Ø1/4"x3/4"		12 Pcs
E	Plastic Cap		4 Pcs

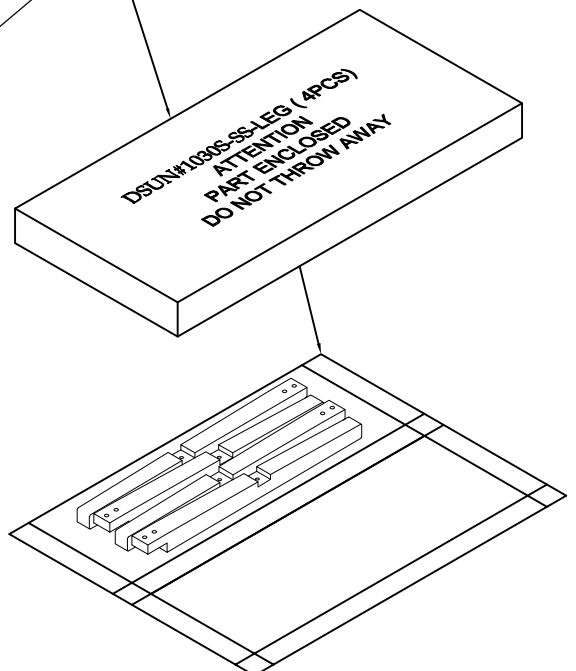
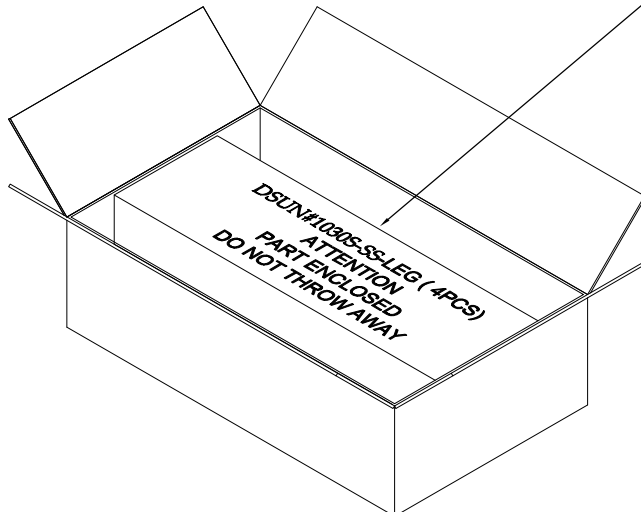
### PART LIST

SEAT FRAME		STRETCHER RING WITH METAL SCUFF GUARD	
①		②	
LEGS ( 4PCS)			
③			



**STRETCHER RING WITH METAL SCUFF GUARD**

**Legs pack is here**





LIVING SPACES

# Assembly Instruction

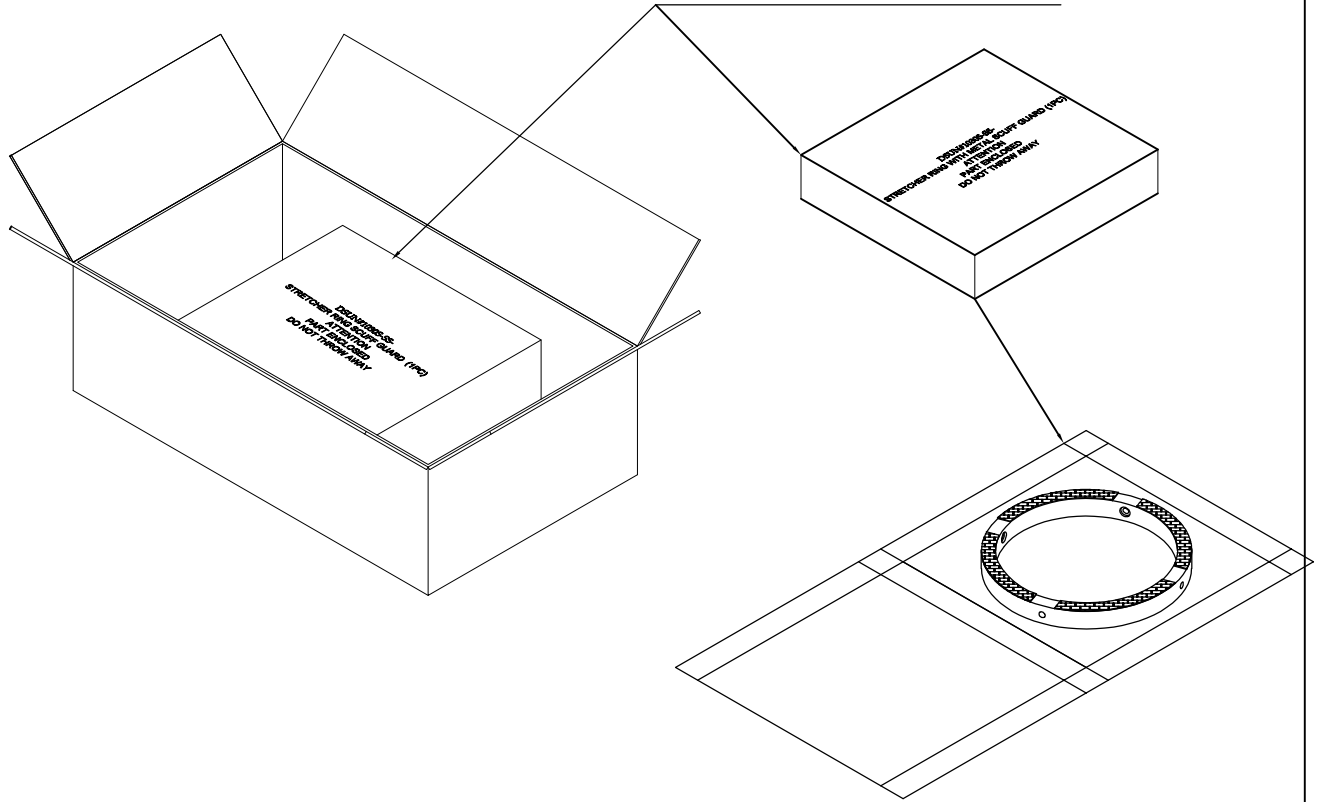
Item No: 321906

Description : SUNLIGHT DINING SANDSTONE SWIVEL BAR STOOL

2022-06-07

SUNLIGHT

Stretcher ring with metal scuff guard pack is here



STEP 1

