

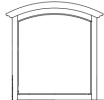

Reagan Mirror

Assembly Instructions

RNMR-03-30





PARTS LIST

No	Item		Qty
1	Mirror		1
2	Support Brackets		2

TOOLS REQUIRED *(not provided)*

1. Phillips head screwdriver

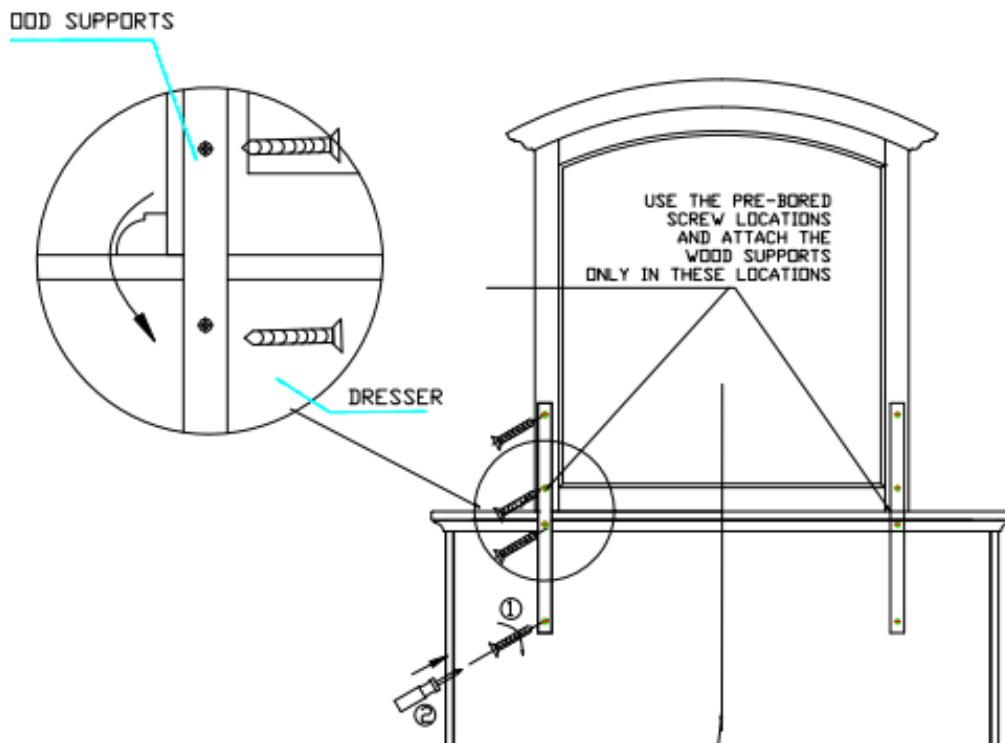
HARDWARE LIST

No	Item		Qty
1	Screws 6x1-1/4 <i>Attaching Supports to Mirror</i>		4
2	Screws 6x1-1/2 <i>Attaching Mirror to Dresser</i>		4

Use only the screws included in the package. Using different sizes could cause the wood to split or come out.

Please make sure to check all packaging materials carefully for small hardware that may have come loose inside the carton during shipment. Refer to the chart above to ensure you have all the parts before assembling.

We recommend assembling your piece on carpet, area rug or floor padding to reduce the likelihood of your furniture being damaged.



STEP 1

Position the mirror frame face down on a carpeted floor and position the wood supports on the back of the mirror frame so that half of the wood support is below the post. Use the 6 x 1-1/4 screws.

STEP 2

Place mirror frame on dresser and center the mirror on the dresser top.

STEP 3

Attach the mirror frame assembly using the 6 x 1-1/2 wood screws. The mirror is now attached.