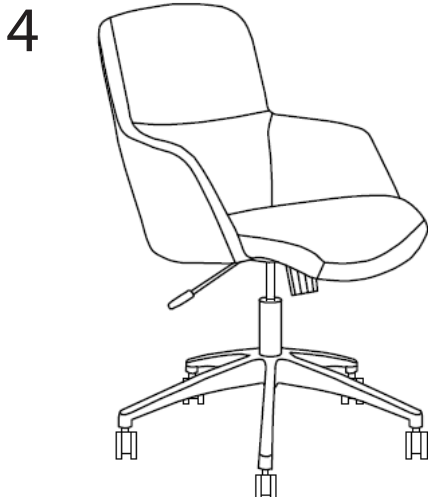
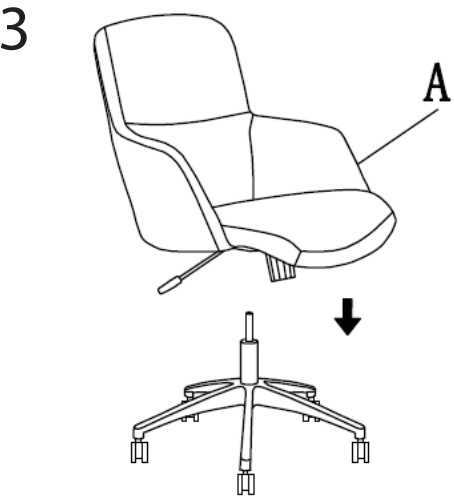
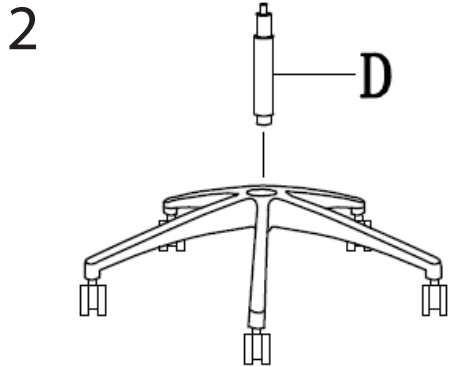
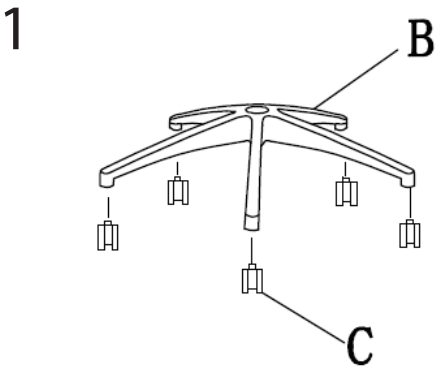


# Assembly Instructions

## MINNA Low Back Office Chair

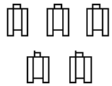
PLEASE NOTE: Check that you have received all components and hardware before assembling. If you are missing any parts, contact your retailer.



A (1 pc)



B (1 pc)



C (1 pc)

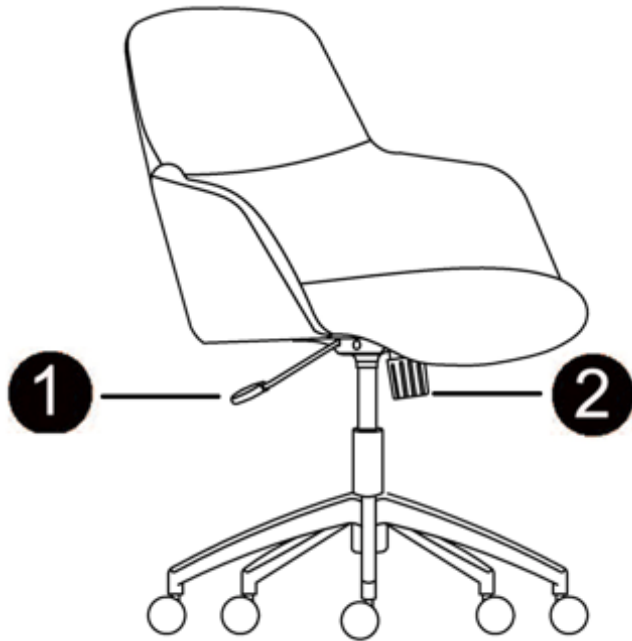


D (1 pc)

During assembly, hand tighten screws only. When the screws are in place, tighten completely.

# Function Description

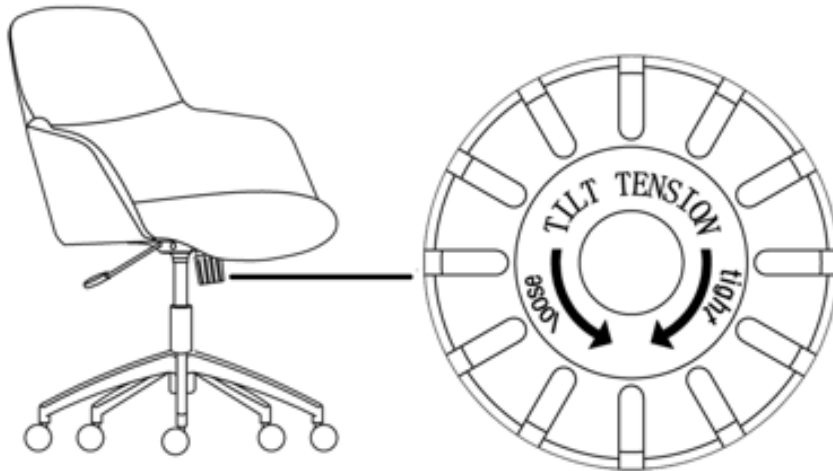
PLEASE NOTE: Check that you have received all components and hardware before assembling. If you are missing any parts, contact your retailer.



## 1 Chair height adjustable



## 2 Chair Tilt and Lock



During assembly, hand tighten screws only. When the screws are in place, tighten completely.