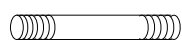
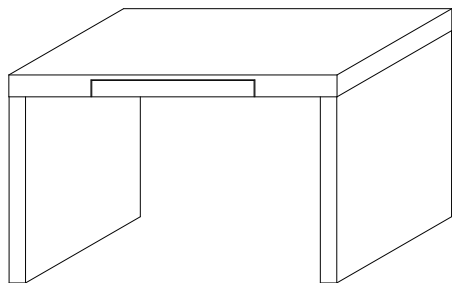
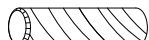


Assembly Instructions

DOUG-47 Desk



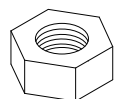
A (4 pcs)
Ø8x700mm



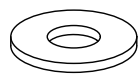
B (4 pcs)
Ø8x30mm



C (1 pc)
M8



D (4 pcs)
M8



E (4 pcs)
Ø8x20mm

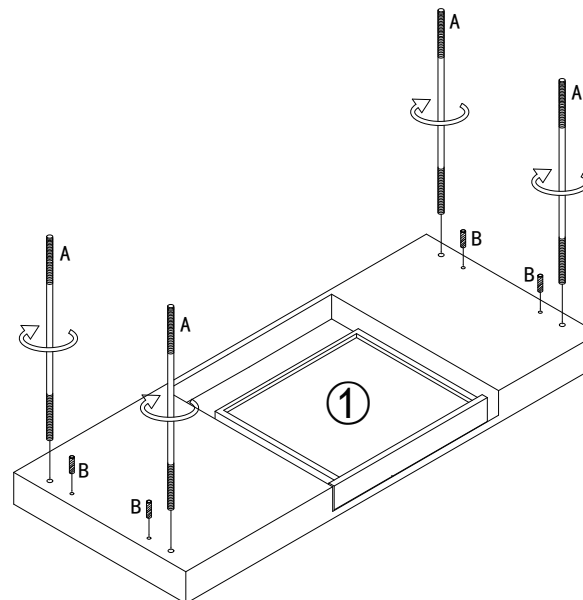


F (4 pcs)
Ø35x5mm

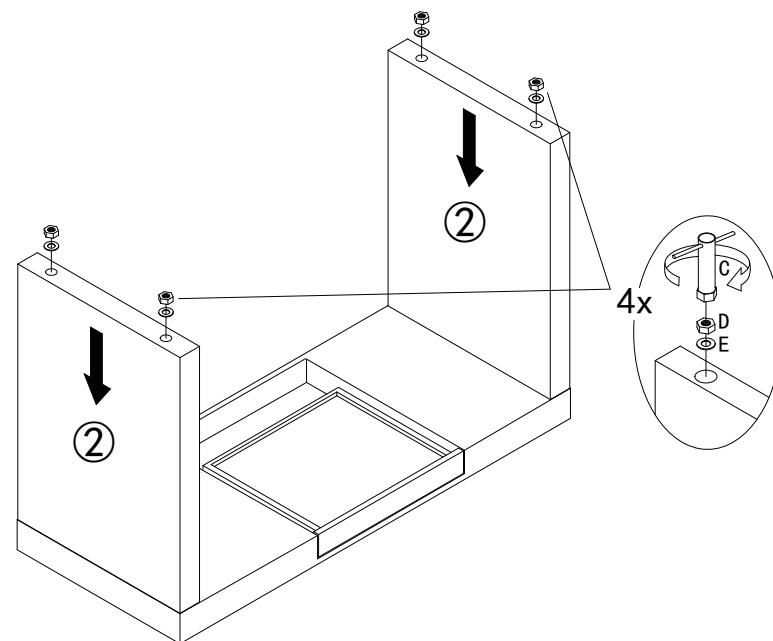
8.11.22 so

PLEASE NOTE: Check that you have received all components and hardware before assembling. If you are missing any parts, contact your retailer.

1▷



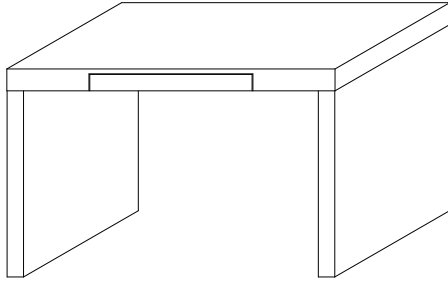
2▷



During assembly, hand tighten screws only. When all screws are in place, then tighten completely.

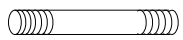
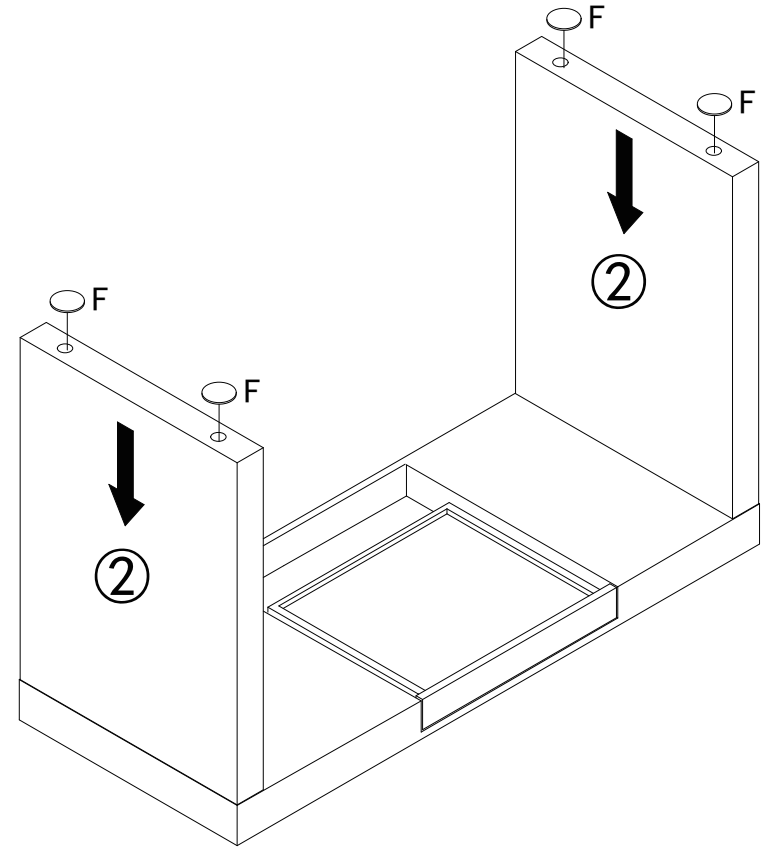
Assembly Instructions

DOUG-47 Desk



PLEASE NOTE: Check that you have received all components and hardware before assembling. If you are missing any parts, contact your retailer.

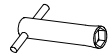
3▷



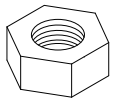
A (4 pcs)
Ø8x700mm



B (4 pcs)
Ø8x30mm



C (1 pc)
M8



D (4 pcs)
M8



E (4 pcs)
Ø8x20mm



F (4 pcs)
Ø35x5mm

During assembly, hand tighten screws only. When all screws are in place, then tighten completely.