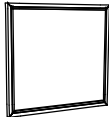

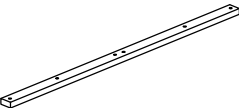

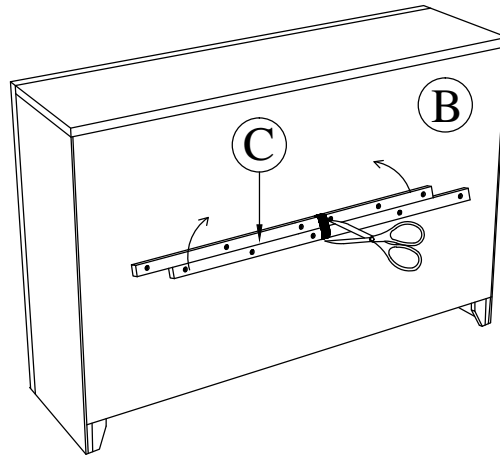


ASSEMBLY INSTRUCTIONS

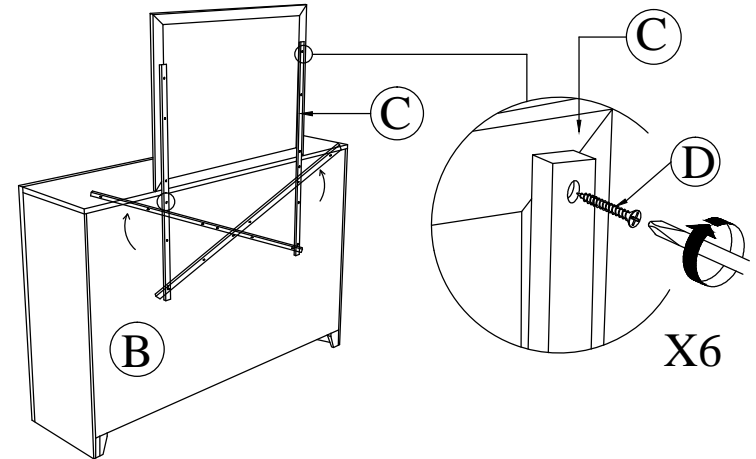
**CROWN MARK : 0035A
DRESSER & MIRROR**

NO	PART LIST	QTY
A	MIRROR FRAME 	1 PC
B	DRESSER 	1 PC
C	MIRROR SUPPORT RAIL 	2 PCS
NO	HARDWARE LIST	QTY
D	CSK SCREW M4 X 32MM 	10 PCS

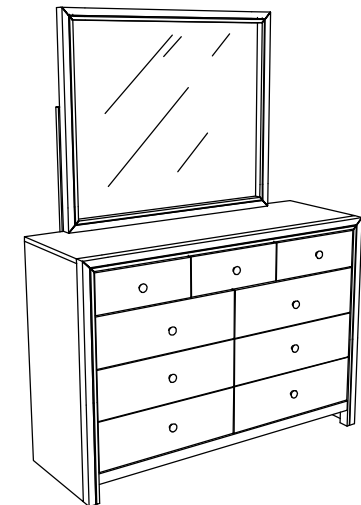
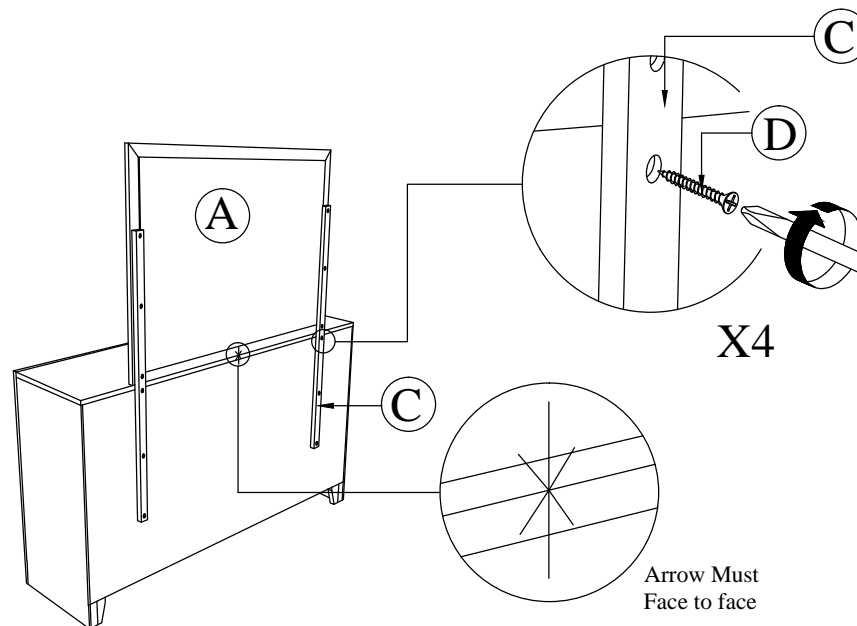
STEP 1 : Cut of the Raffia String from the back of DRESSER (B).



STEP 2 : Turn the MIRROR SUPPORT RAIL (C) upward at the back of DRESSER (B), then Tighten with CSK SCREW (D). Place the MIRROR FRAME (A) on the top of DRESSER (B). Tighten with CSK Screw (D).



STEP 3 : Tighten the CSK Screw (D) as shown.



**COMPLETED
ASSEMBLY**

NOTE : MUST TIGHTEN SCREWS PERIODCALLY WITH USE SCREW WILL BECOME LOOSE CHECK TIGHTNESS OF ALL SCREW EVERY 6-8 WEEKS.