

ASSEMBLY INSTRUCTION

ITEM : 5267GY-K / 5267GY-CK

1. HEADBOARD CUSHION



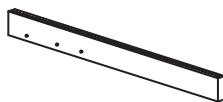
x 1PC

2. HEADBOARD LEG (LEFT)



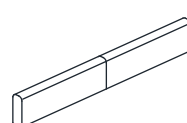
x 1PC

3. HEADBOARD LEG (RIGHT)



x 1PC

4. FOOTBOARD CUSHION



x 1PC

5. FOOTBOARD LEG



x 2PCS

6. SIDE RAIL



x 2PCS

7. SIDE RAIL



x 2PCS

8. SIDE RAIL SUPPORT LEG



x 2PCS

9. SLAT



x 4PCS

10. SUPPORT LEG with adjustable feet



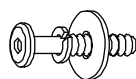
x 8PCS

A. JCBB SCREW M8 x 20mm



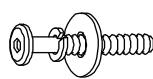
x 8PCS

B. JCBC SCREW M6 x 25mm (with washer)



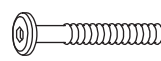
x 8PCS

C. JCBC SCREW M6 x 35mm (with washer)



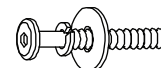
x 6PCS

D. JCBC SCREW M6 x 35mm



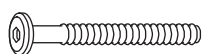
x 8PCS

E. JCBB SCREW M8 x 35mm



x 4PCS

F. JCBC SCREW M6 x 70mm



x 2PCS

G. WOOD DOWEL M8 x 30mm



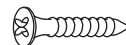
x 2PCS

H. WOOD DOWEL M10 x 30mm



x 4PCS

I. SCREW M4 x 32mm



x 8PCS

J. L-KEY M4 x 100mm



x 1PC

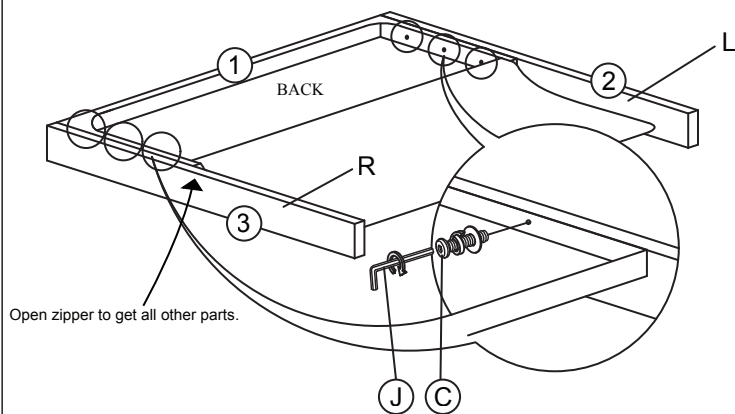
K. L-KEY M5 x 65mm



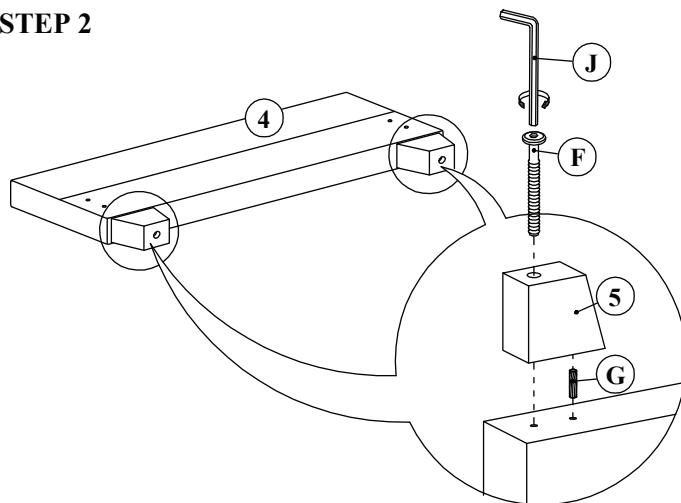
x 1PC

ASSEMBLY INSTRUCTION

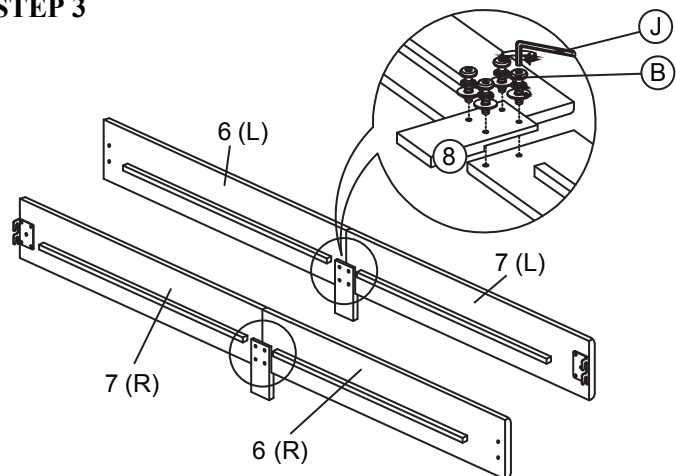
STEP 1



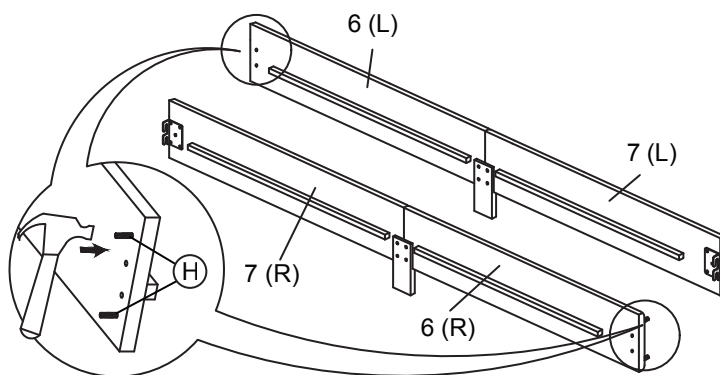
STEP 2



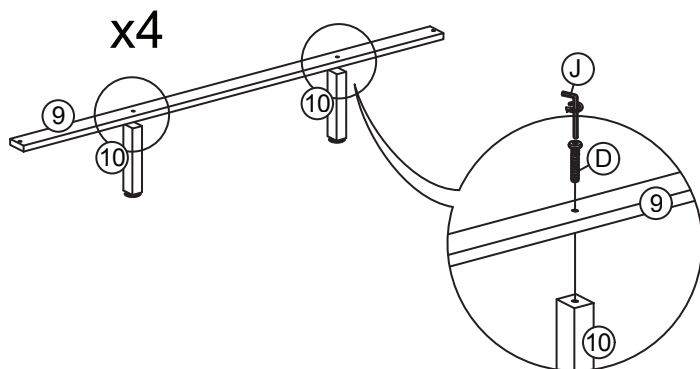
STEP 3



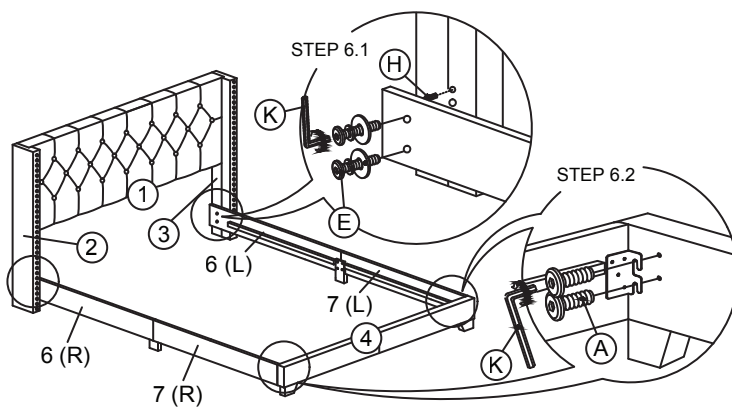
STEP 4



STEP 5



STEP 6



STEP 7

