

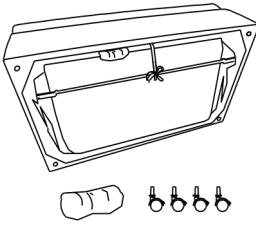
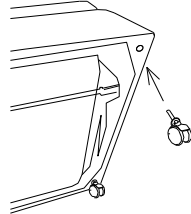
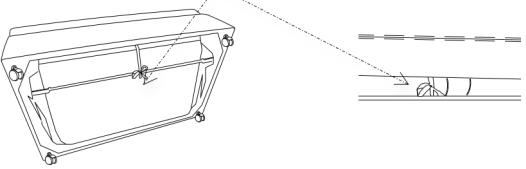
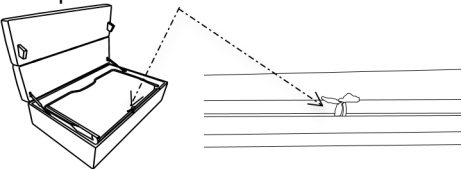
**Sleeper Ottoman**  
**ASSEMBLY and CARE & USE INSTRUCTIONS**

**IMPORTANT, RETAIN FOR FUTURE REFERENCE: READ CAREFULLY**

**IMPORTANT INFORMATION:**

- For indoor domestic use only.
- Do not discard packaging materials until all parts are found.
- No tools required
- Two people recommended for assembly.

**ASSEMBLY INSTRUCTIONS**

<p>Step 1</p> <p>Casters are located under the ottoman</p> 	<p>Step 2</p> <p>Press until tight</p> 
<p>Step 3</p> <p style="text-align: center;"><u>Mechanism Handle</u></p> <p>Remove staples in tie</p> 	<p>Step 4</p> <p style="text-align: center;"><u>Top Lid</u></p> <p>Remove staples in tie</p> 

**CARE & MAINTENANCE**

- Leather surfaces should be kept from prolonged exposure to heat and intense light, which may affect color and performance.
- To keep clean vacuum frequently or wipe with a clean damp cloth to remove dust and grime.
- Use a mild leather cleaner to clean.
- It is recommended to always seek assistance from a professional cleaning service.