



LIVING SPACES

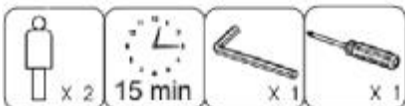
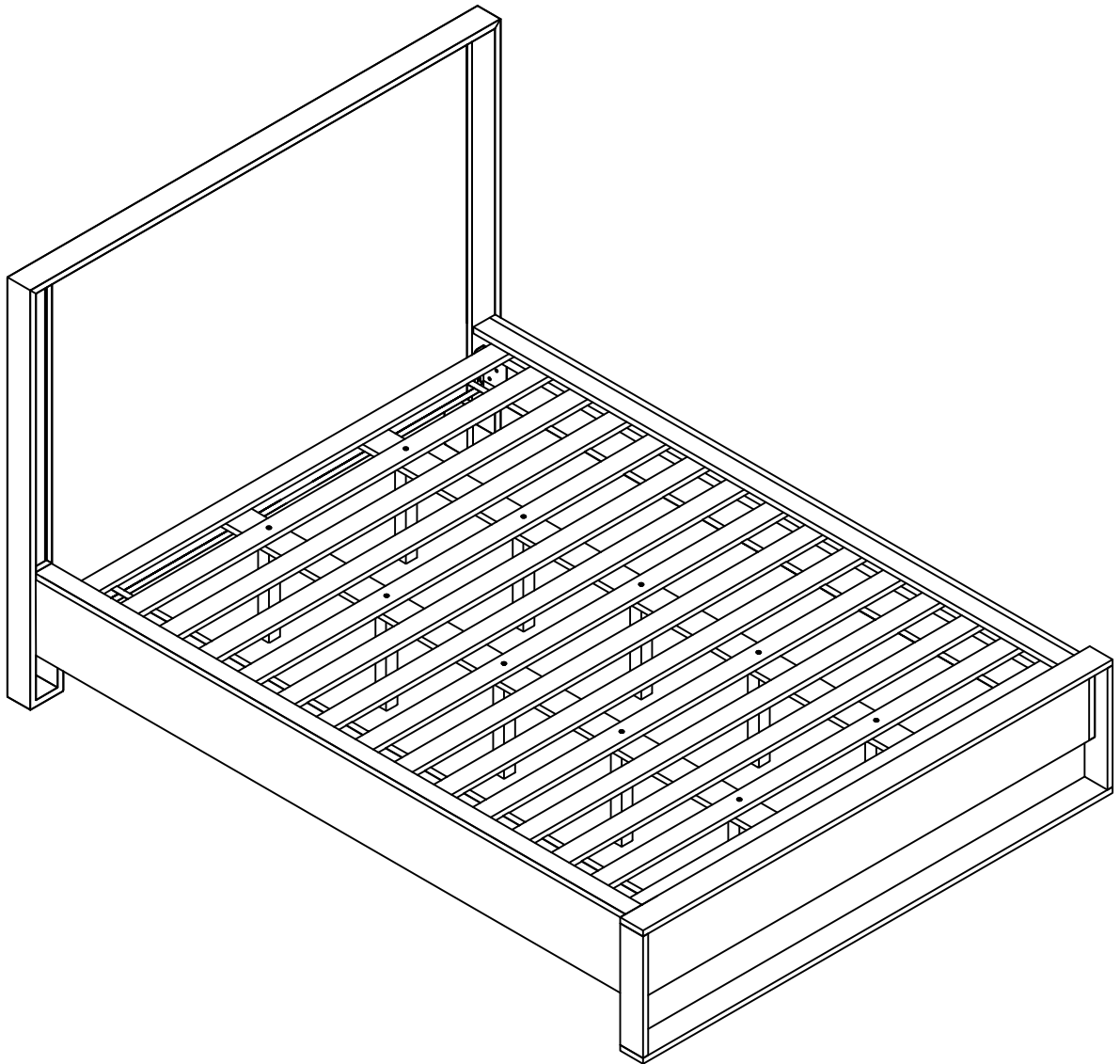
# ASSEMBLY INSTRUCTIONS

LVS:

ITEM NO: B2102-153 SKU: 320562

ITEM NO: B2102-151 SKU: 320557

ITEM NO: B2102-161 SKU: 320563





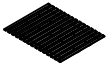
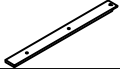







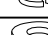
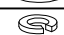


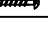

LIVING SPACES

# ASSEMBLY INSTRUCTIONS

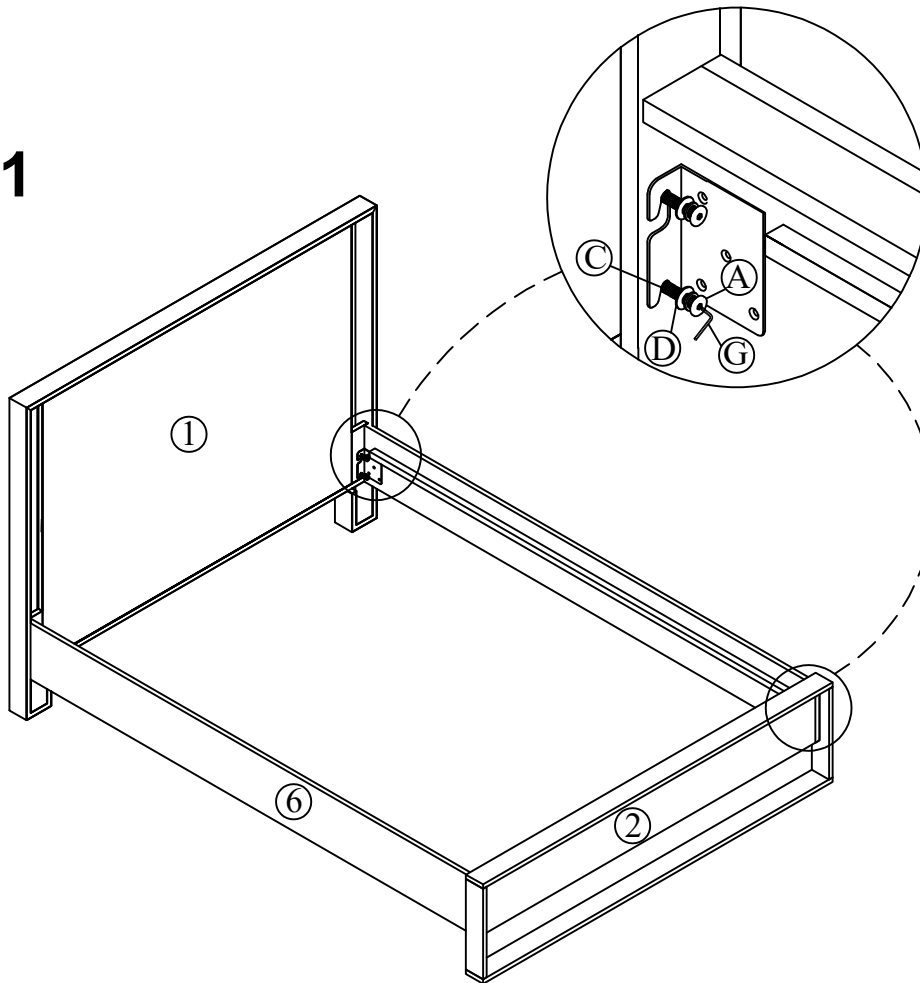
Revert the knobs as instrction

## HARDWARE LIST

Code	PART LIST		
1	Headboard		1PC
2	Footboard		1PC
3	Slat Roll		1SET
4	Support Slat		4PC
5	Support Leg		10PCS
6	Side Rail		2PCS
7	Cover Rail		2PCS

Part	SKU#	IMAGE	DESCRIPTION	QTY
1	A		Allen bolt Ø5/16 * 36mm	8pcs
2	B		Allen bolt Ø1/4 * 40mm	10pcs
3	C		Lock washer 5/16**13*2mm	8pcs
4	D		Flat washer Ø5/16**19*2mm	8pcs
5	E		Lock washer 1/4**11*2mm	10pcs
6	F		Flat washer Ø1/4*16*2mm	10pcs
7	G		4mm Allen key	1pcs
8	H		Wood screw #10*30mm	6pcs

## STEP 1



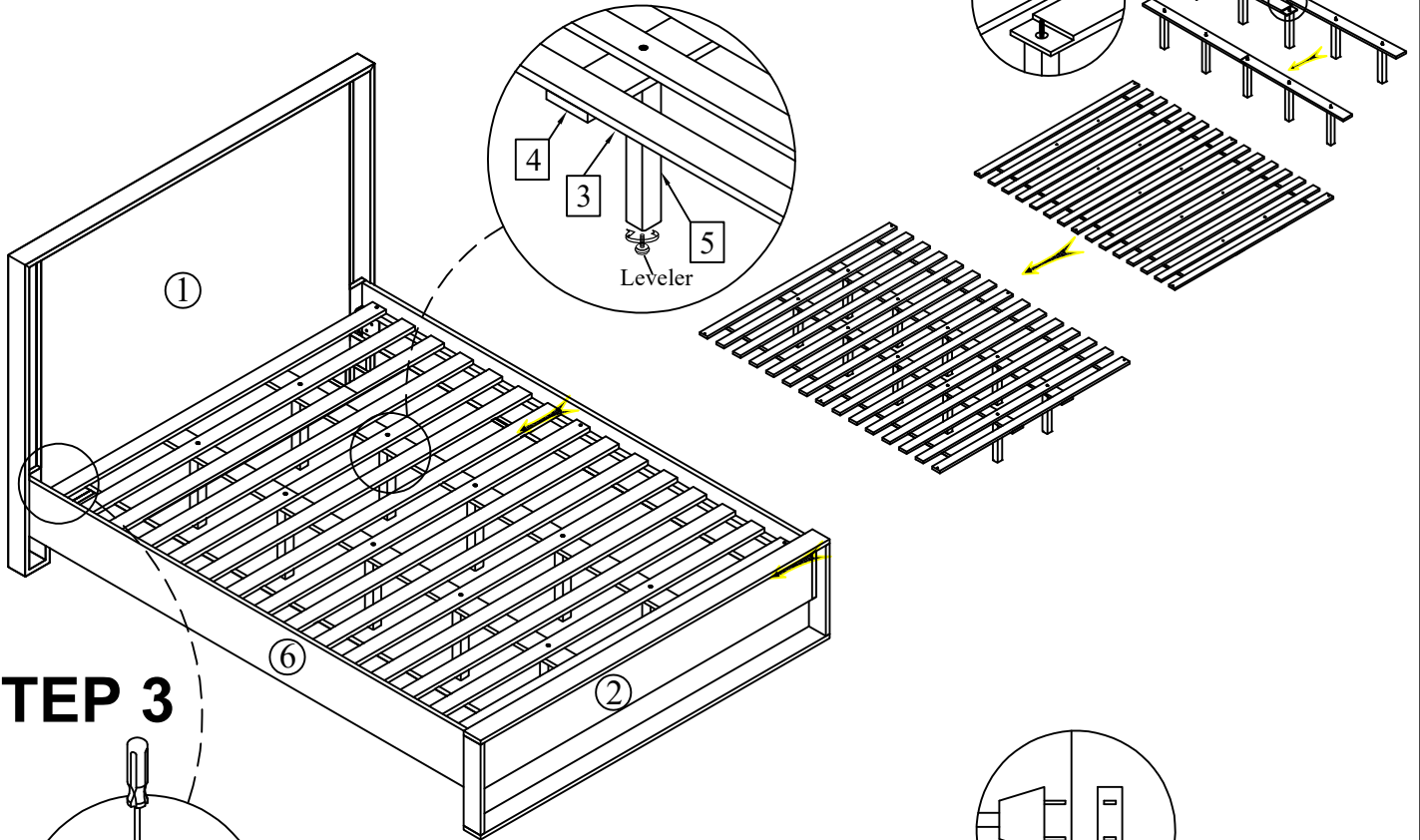


LIVING SPACES

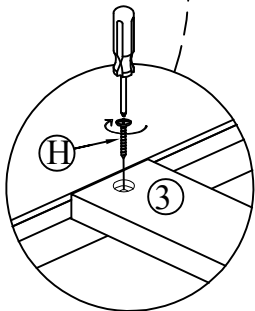
# ASSEMBLY INSTRUCTIONS

Revert the knobs as instrction

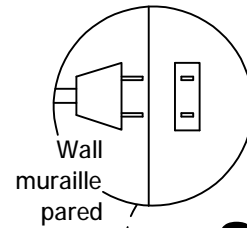
## STEP 2



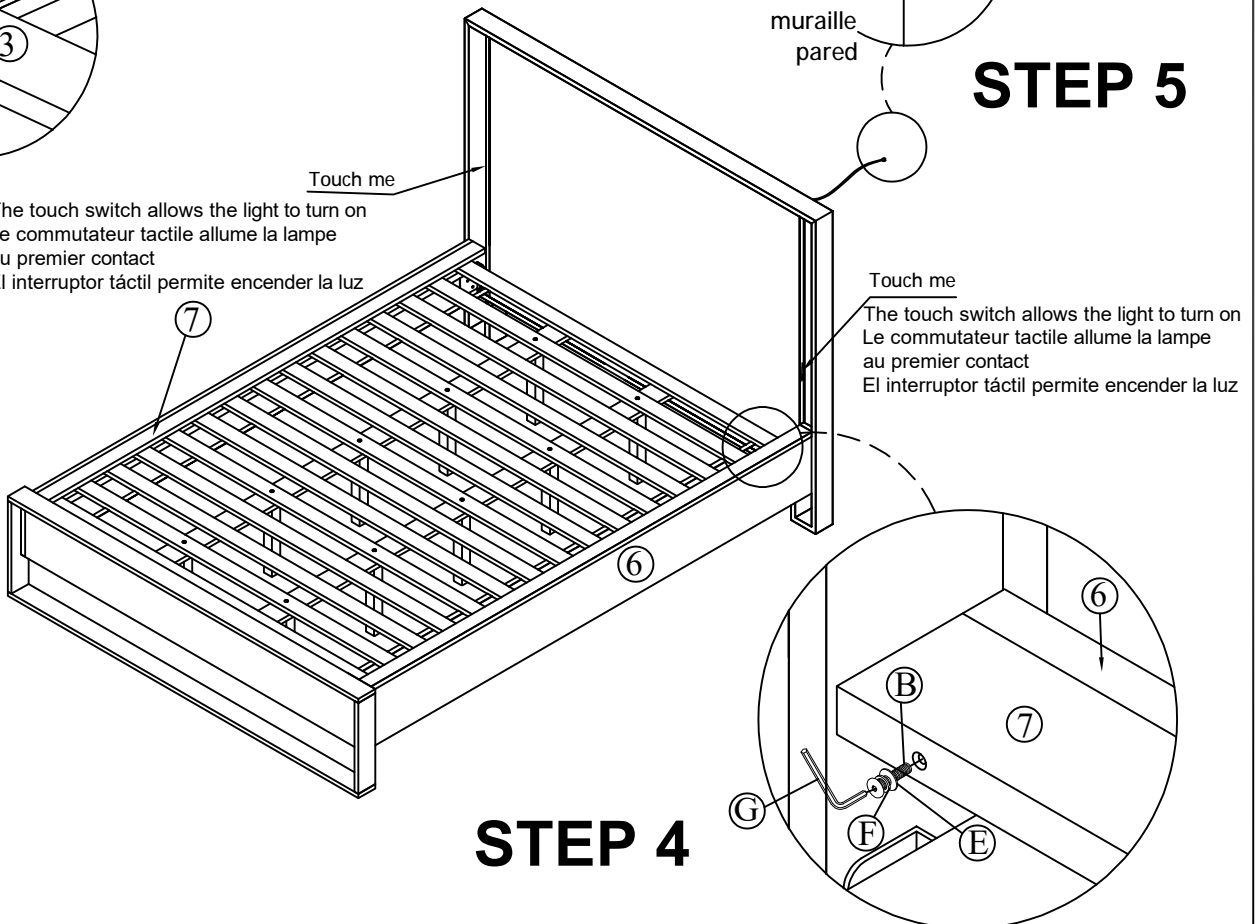
## STEP 3



The touch switch allows the light to turn on  
Le commutateur tactile allume la lampe  
au premier contact  
El interruptor táctil permite encender la luz



## STEP 5



## STEP 4