



LIVING SPACES

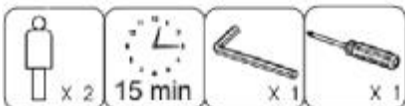
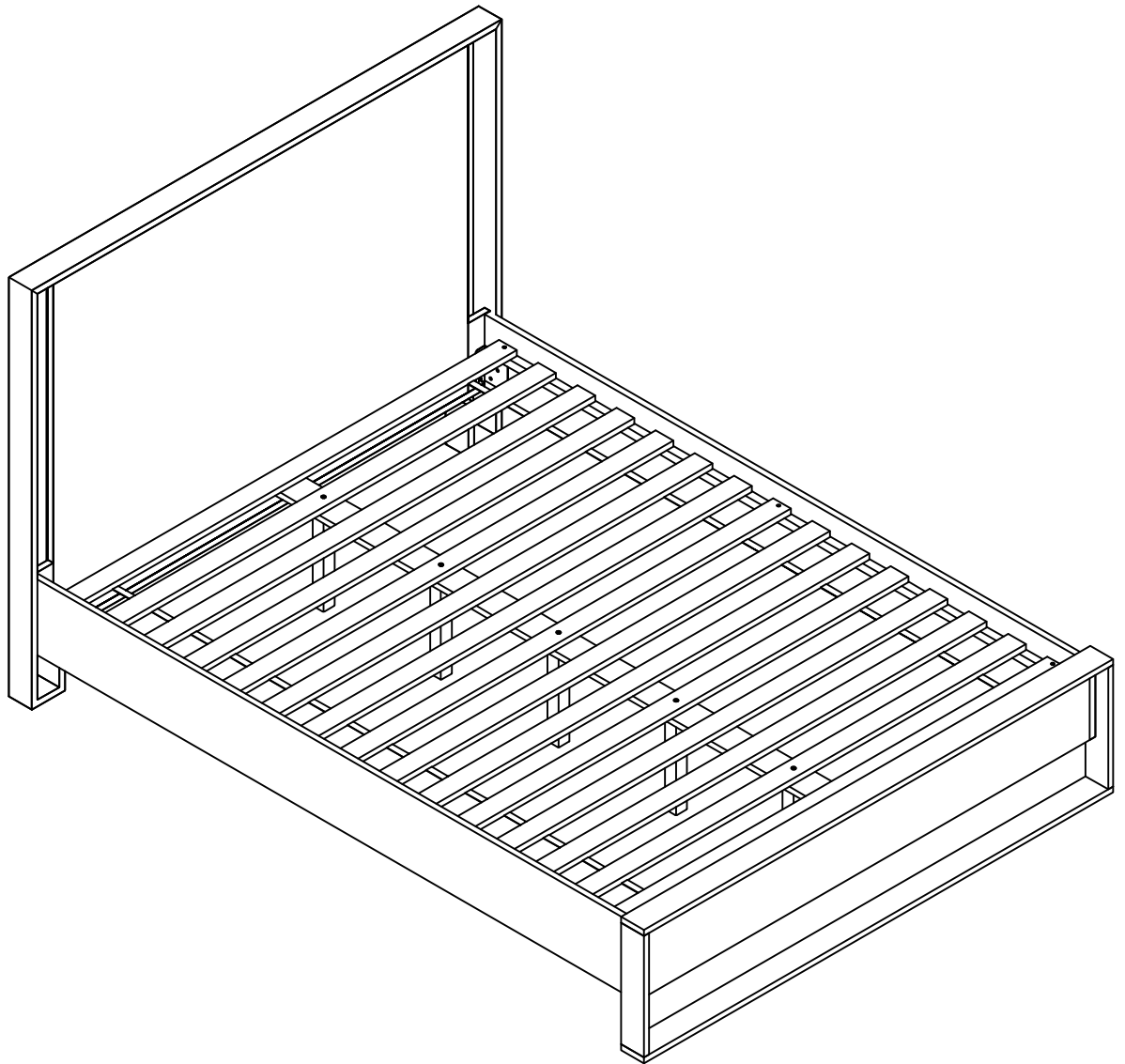
ASSEMBLY INSTRUCTIONS

LVS:

ITEM NO: B2102-133 SKU: 320556

ITEM NO: B2102-131 SKU: 320553

ITEM NO: B2102-191 SKU: 320566





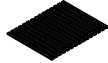
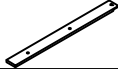









LIVING SPACES

ASSEMBLY INSTRUCTIONS

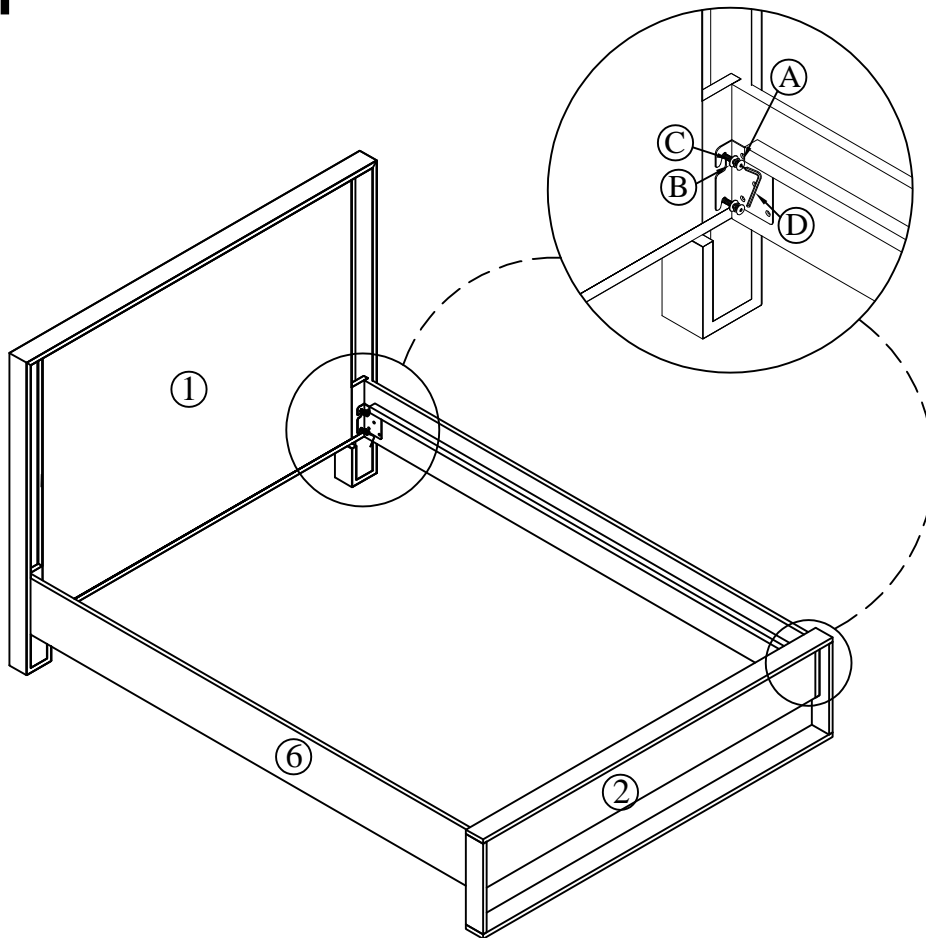
Revert the knobs as instrction

HARDWARE LIST

Code	PART LIST		
1	Headboard		1PC
2	Footboard		1PC
3	Slat Roll		1SET
4	Support Slat		2PC
5	Support Leg		5PCS
6	Side Rail		2PCS

Part	SKU#	IMAGE	DESCRIPTION	QTY
1	A		Allen bolt Ø5/16 * 36mm	8pcs
2	B		Lock washer 5/16**13*2mm	8pcs
3	C		Flat washer Ø5/16**19*2mm	8pcs
4	D		4mm Allen key	1pc
5	E		Wood screw #10*30mm	6pcs

STEP 1



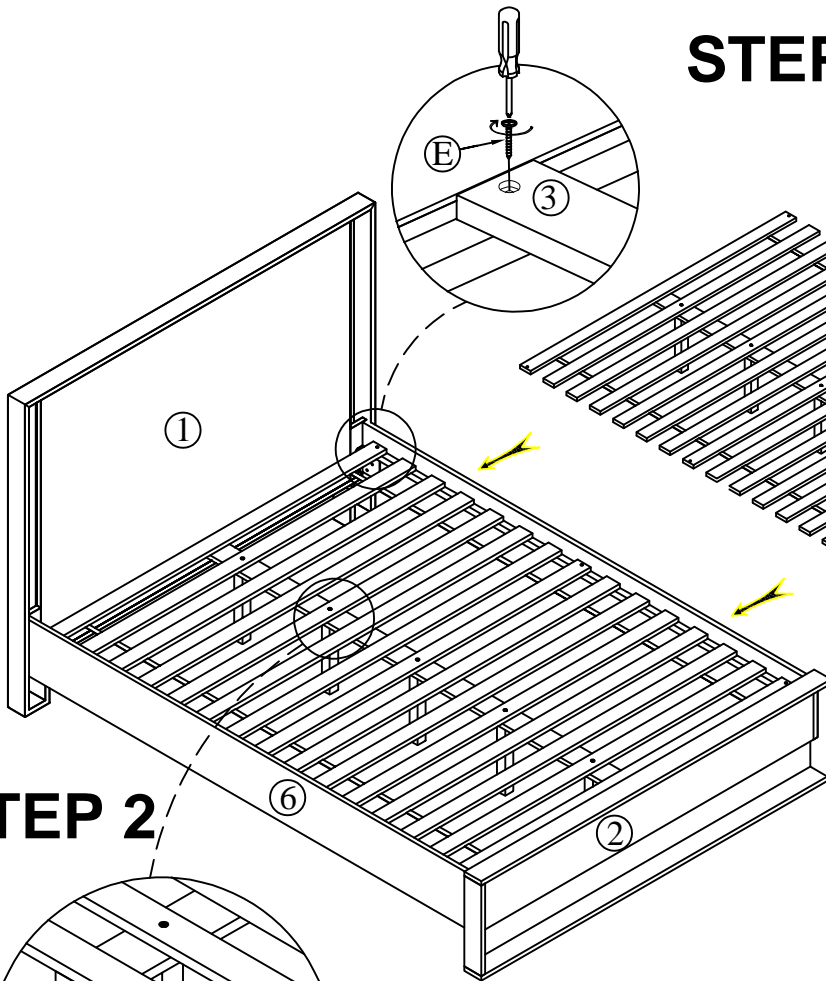
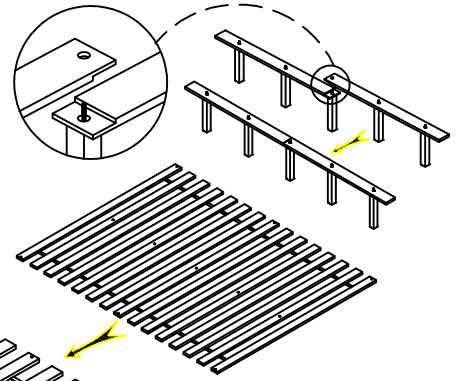


LIVING SPACES

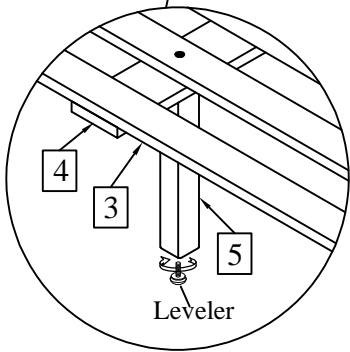
ASSEMBLY INSTRUCTIONS

Revert the knobs as instrction

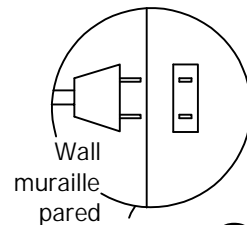
STEP 3



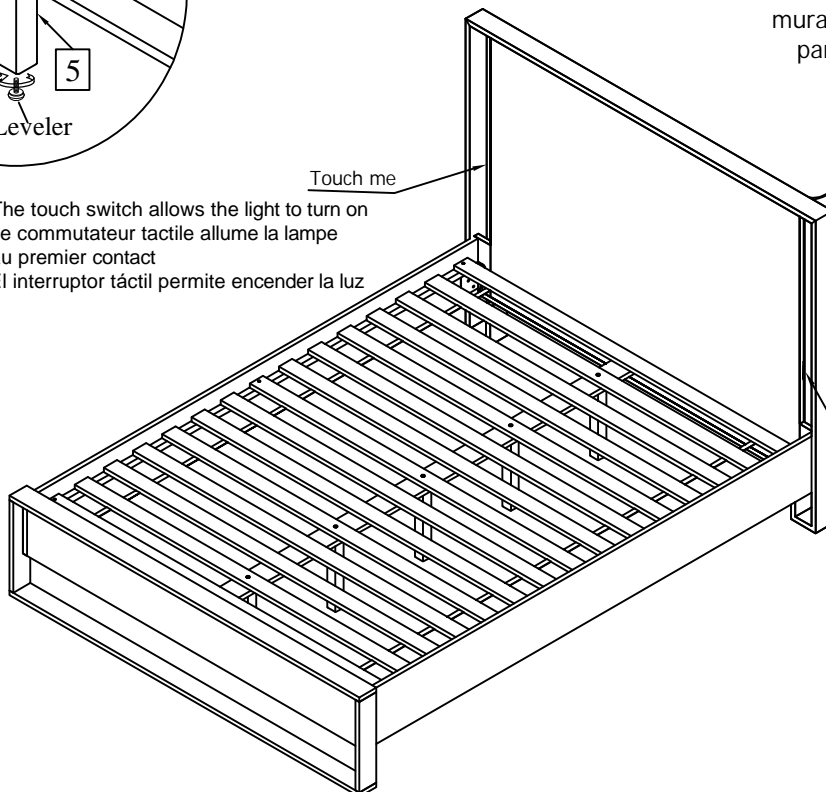
STEP 2



The touch switch allows the light to turn on
Le commutateur tactile allume la lampe
au premier contact
El interruptor táctil permite encender la luz



STEP 4



The touch switch allows the light to turn on
Le commutateur tactile allume la lampe
au premier contact
El interruptor táctil permite encender la luz