

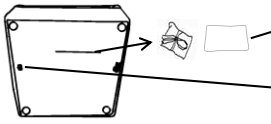



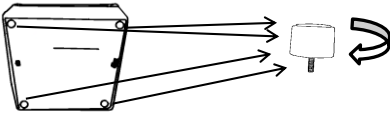
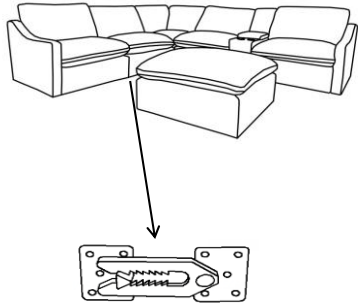
 <p>Vendor Information</p> <p>Vendor Name: TLC Vendor Code: LSF2301026</p>		<p>Living Space Information</p> <p>LS SKU: 320353 LS product Name: KENNEDY ARMLESS CHAIR Vendor Model #: LSF2301026</p> <p>Vendor Collection: KENNEDY</p>
---	---	---

CODE	PART #	DESCRIPTION	SHIPS IN 48 HRS	QUANTITY	PRICING	NOTES
6100	Legs	Legs	NO	4		
6120	Back Cushion	Back Cushion	NO	1		
6130	Seat Cushions	Seat Cushions	NO	1		

			<p>STEP 1:</p>  <p>CAUTION: Back Cushion and Legs inside</p> <p>CAUTION: This link is equipped with a wooden block as protection device. Please remove the block during installation and before assembly</p>
6100	Legs	 *4	
6120	Back Cushion	 *1	
6130	Seat Cushions	 *1	

	<p>STEP 2:</p>
	<p>STEP 3:</p> 