

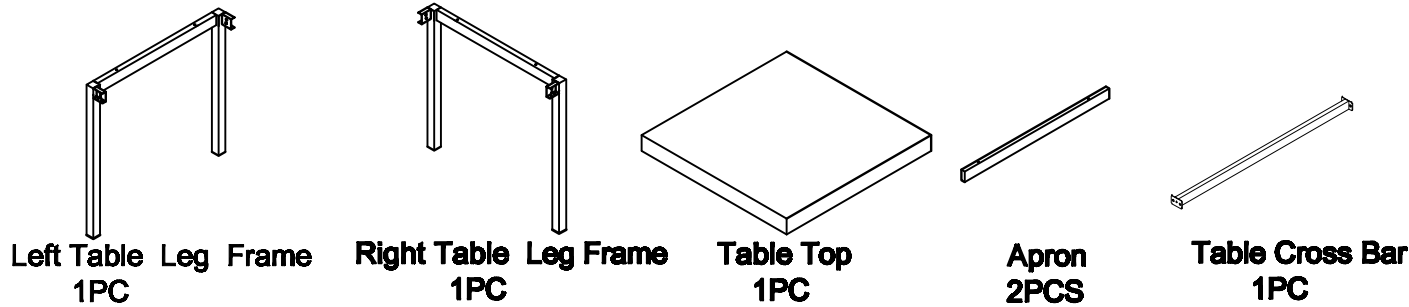


HOMELEGANCE

ASSEMBLY INSTRUCTION

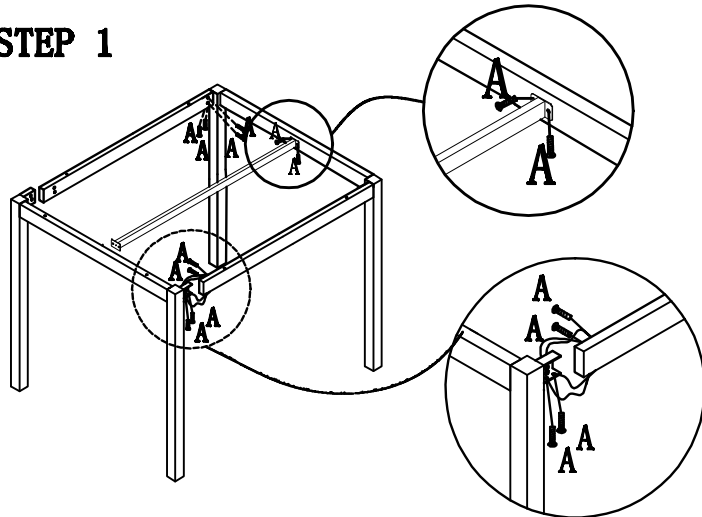
2601-36 (3A) COUNTER HEIGHT TABLE, FAUX MARBLE TOP

PART LIST:

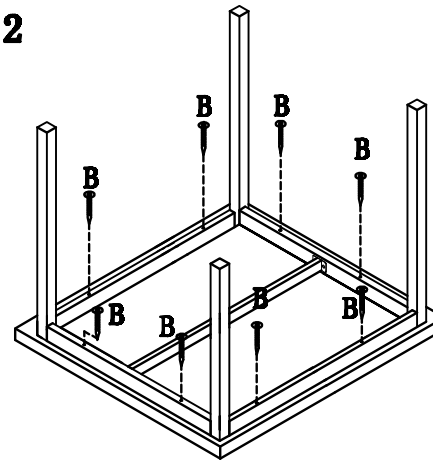


HARDWARE LIST				
A		Bolt	1/4**16mm	20pcs
B		Screw	5m*70mm	8pcs
C		L-Allen Key	4mm	1pc

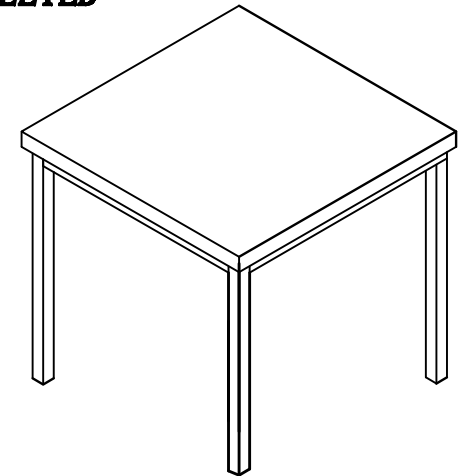
STEP 1



STEP 2



COMPLETED



- (1) Align the table leg frame to apron and table cross bar, and tighten them with bolts.
- (2) Place the table top on the smooth and stable carpeted or padded surface. Tighten the apron to table top with screws.