

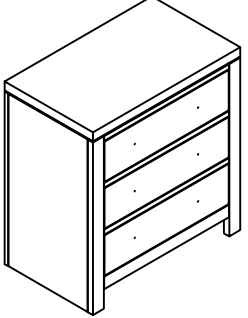
**MODEL : B117-14 / B117-43**

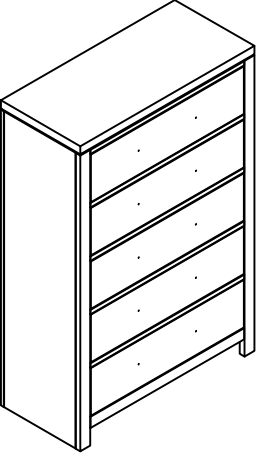
**REVISION : B**

**IMPORTANT NOTE :**

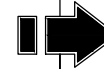
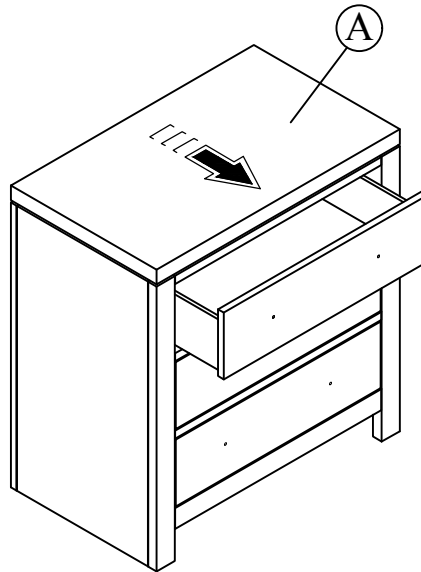
- Place all wooden parts on a clean and smooth surface such as a rug or carpet to avoid the parts from being scratched.
- Check to be sure that you have all parts and hardware.
- Remove all wrapping materials, including staples & packing straps before you start to assemble.
- Do not tighten all screws/bolts until all completely assembled.
- Keep all hardware parts out of reach of children !
- Tighten screws periodically ! With the use of this product bolts and screws may become loose over time !
- Don't attempt to modify parts !

**Parts & Hardware**

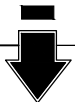
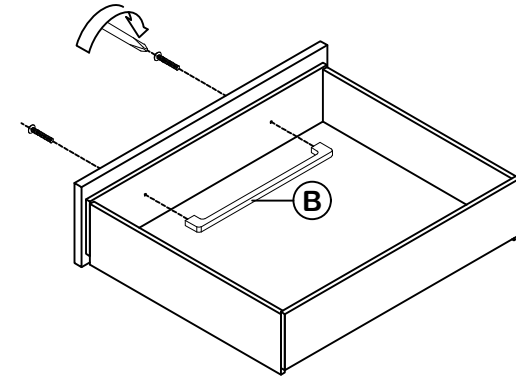
No	Descriptions	Qty
A	Night Stand 	1

A	Chest 	1
---	--	---

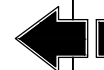
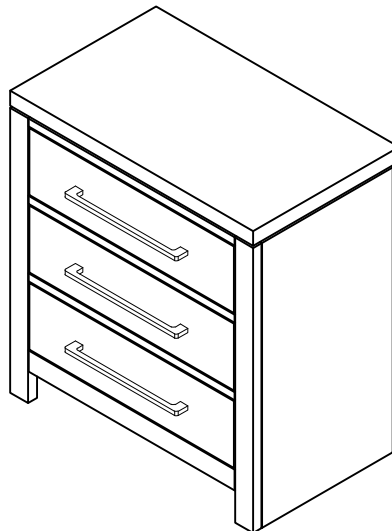
**STEP 1:** Pull out the **Drawer** of casegoods.



**STEP 2:** Use Screwdriver to remove the screws & handle.



**STEP 4:** Repeat the step 1 - 3 for the other drawers.



**STEP 3:** Position the handle in front of drawer panel and screw it tightly with the same screw.

