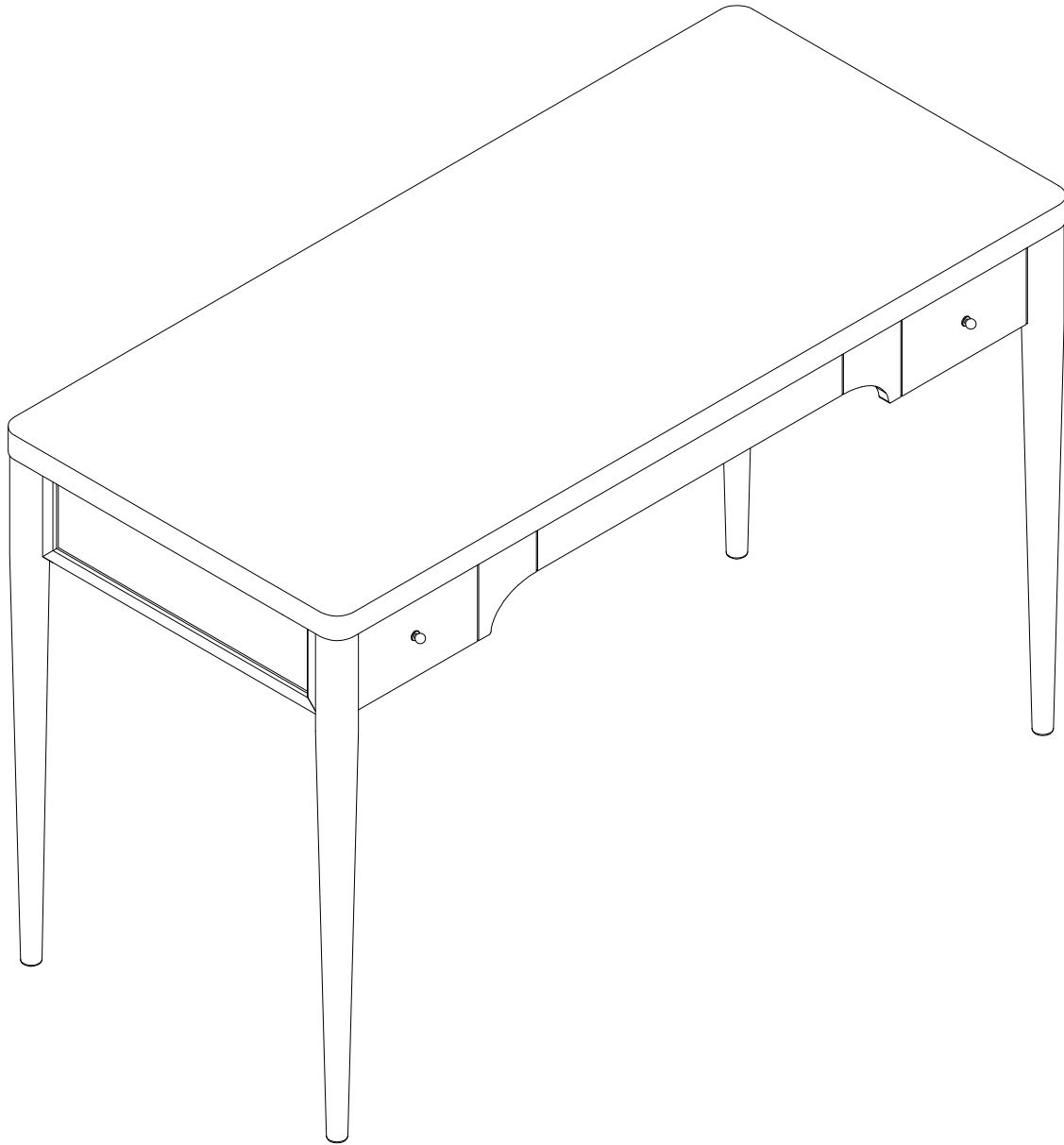


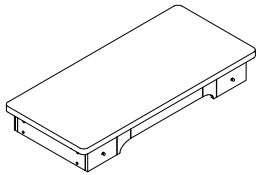
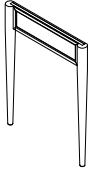
ASSEMBLY INSTRUCTIONS

AUSTEN - WRITING DESK

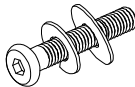
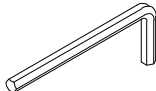
ITEM NO : H2101-270 SKU:318142



 X 2	 15 min	 X 1
---	---	--

PART	SKU#	IMAGE	DESCRIPTION	QTY
Ⓐ	318142-A-B(BLACK)		Desk Top	1
Ⓑ	318142-B-B(BLACK)		Table Leg	2

Hardware List of Writing Desk

PART	SKU#	IMAGE	DESCRIPTION	QTY
①	318142-1(8)		Bolts M4*Ø5/16*30mm	8
②	318142-2(1)		Allen key M4	1

Note: Screwdriver will be prepared by yourself.

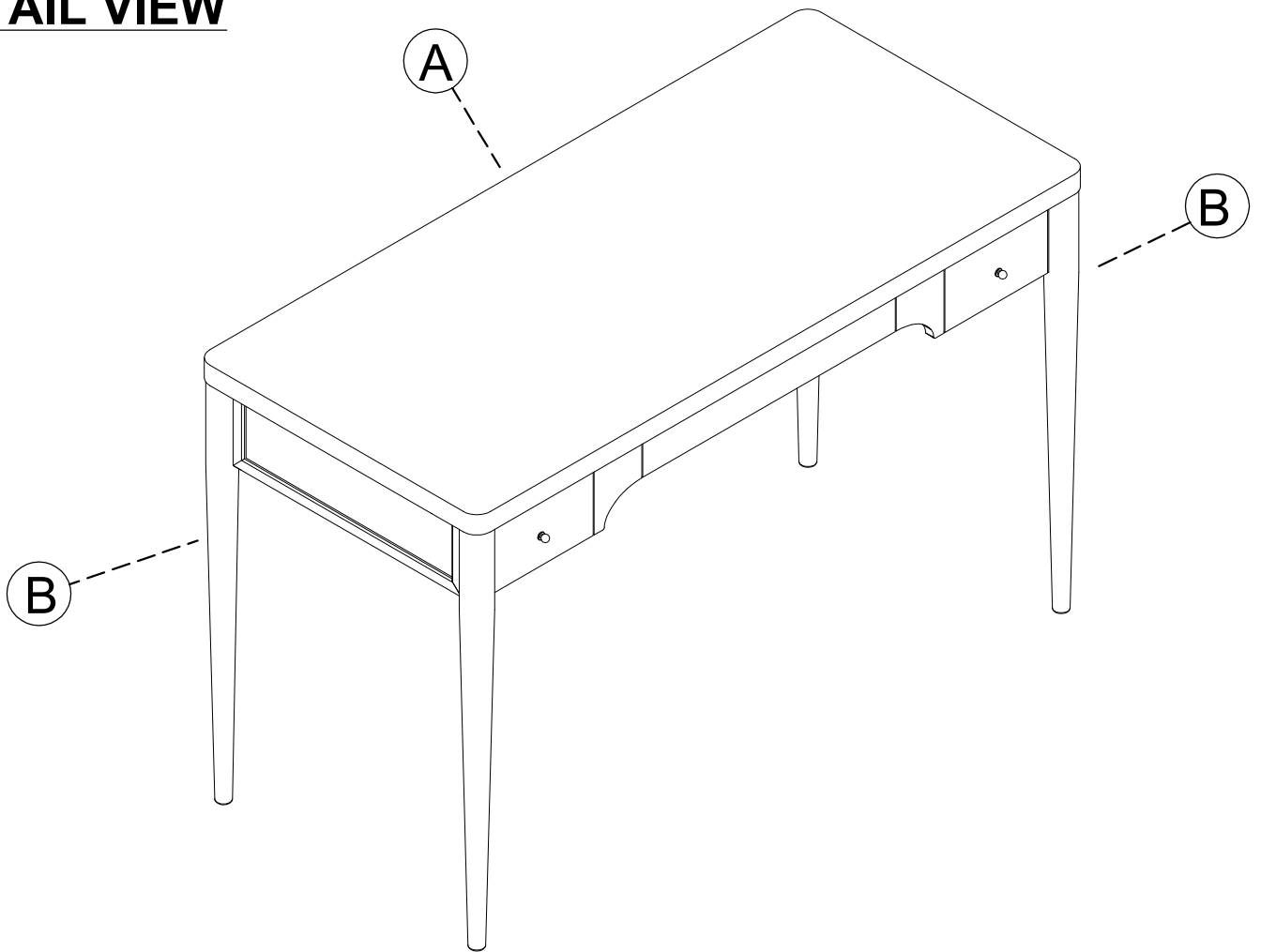
THE HARDWARE IS LOCATED IN THE PACKING ITEM

NOTE: MUST TIGHTEN SCREWS PERIODIACLLY. WITH USE SCREW MAY ENCOME LOOSE CHECK TIGHTNESS OF ALL SCREWS EVERY 6-8 WEEKS.

CLEANING INSTRUCTIONS:

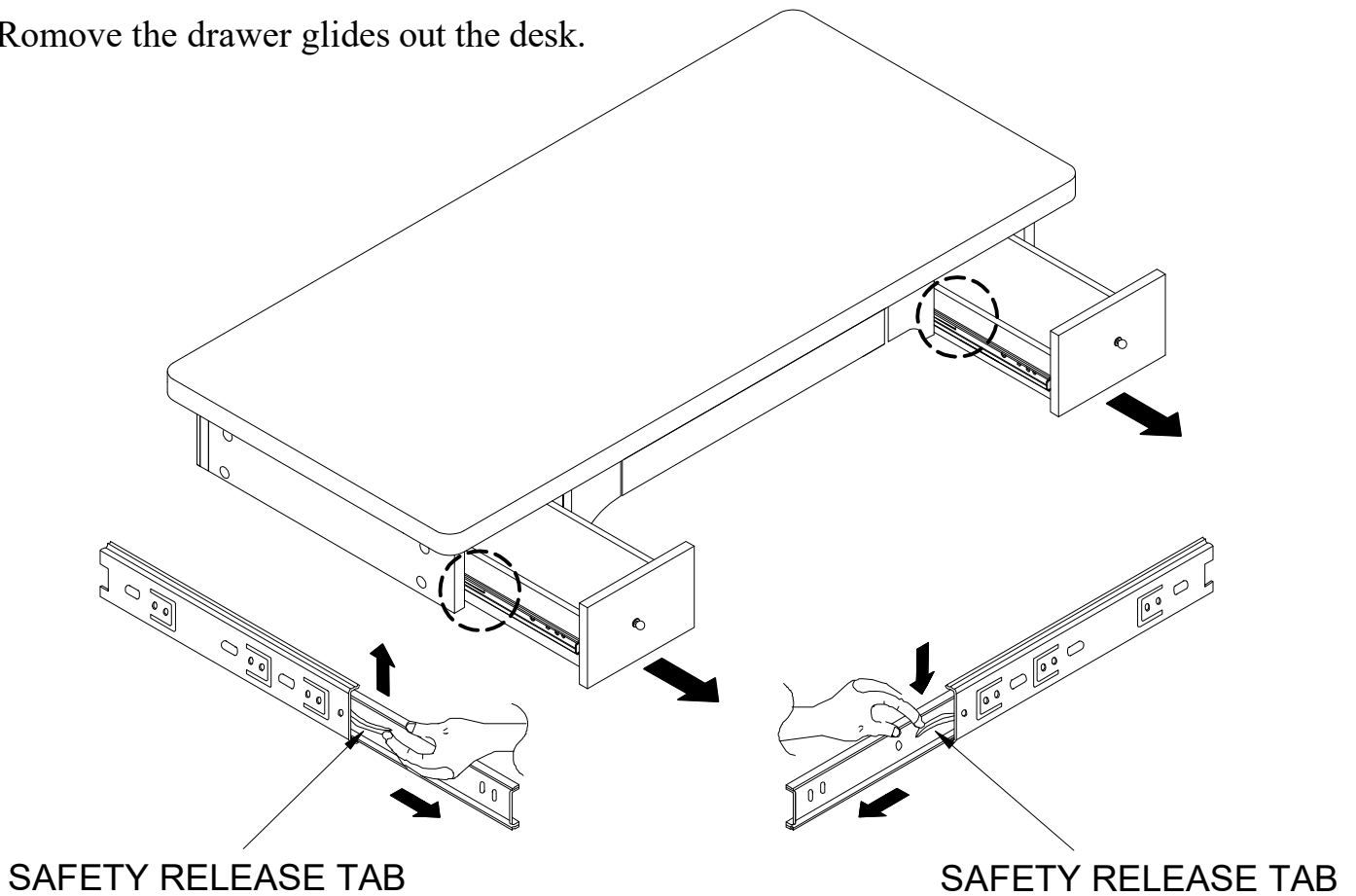
After assembly, clean and polish the completed parts if necessary with soft cloth and industrial recognized furniture polish.

DETAIL VIEW



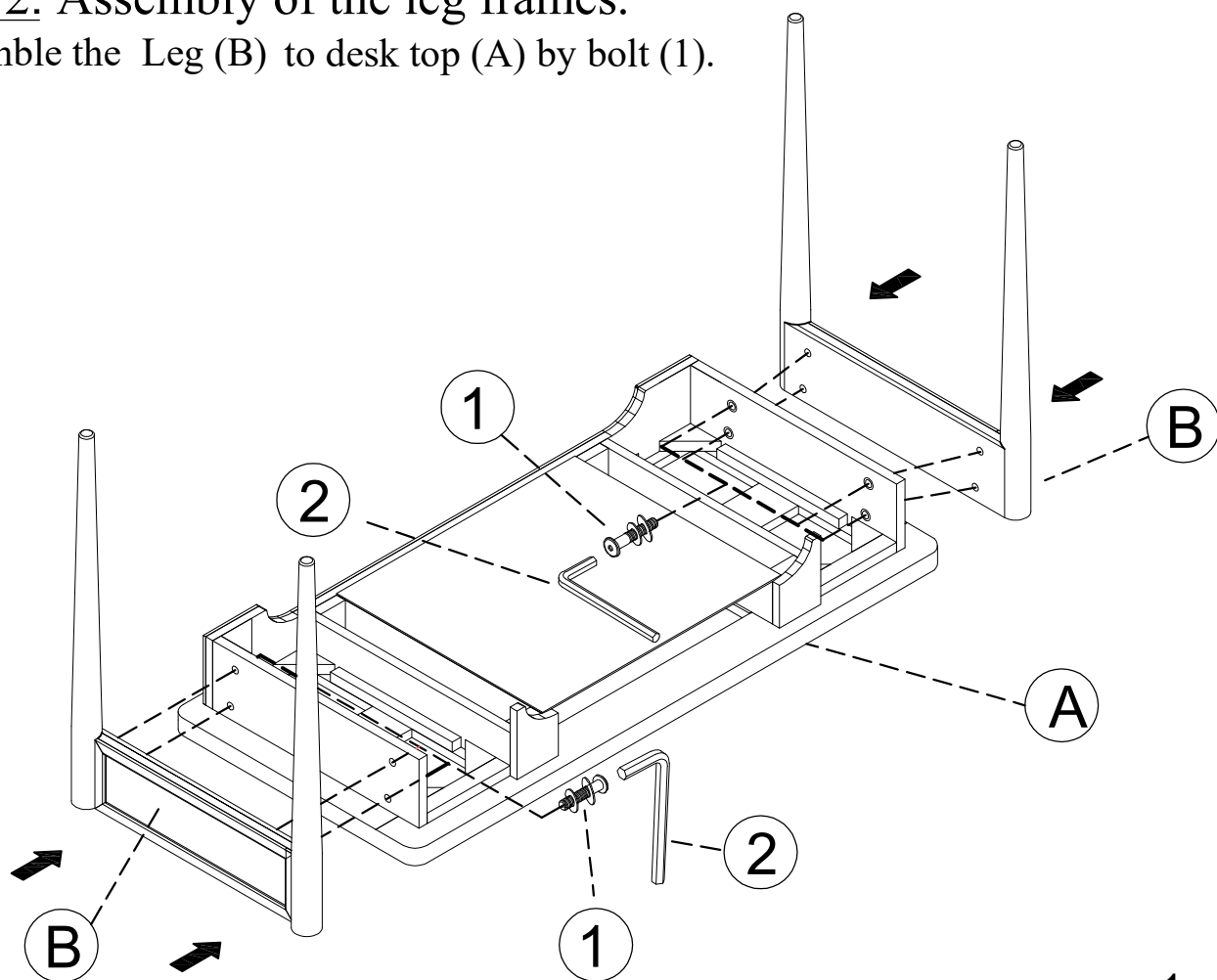
STEP 1: Removal of drawers

* Remove the drawer glides out the desk.



STEP 2: Assembly of the leg frames.

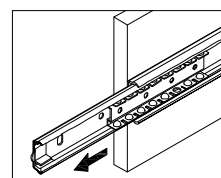
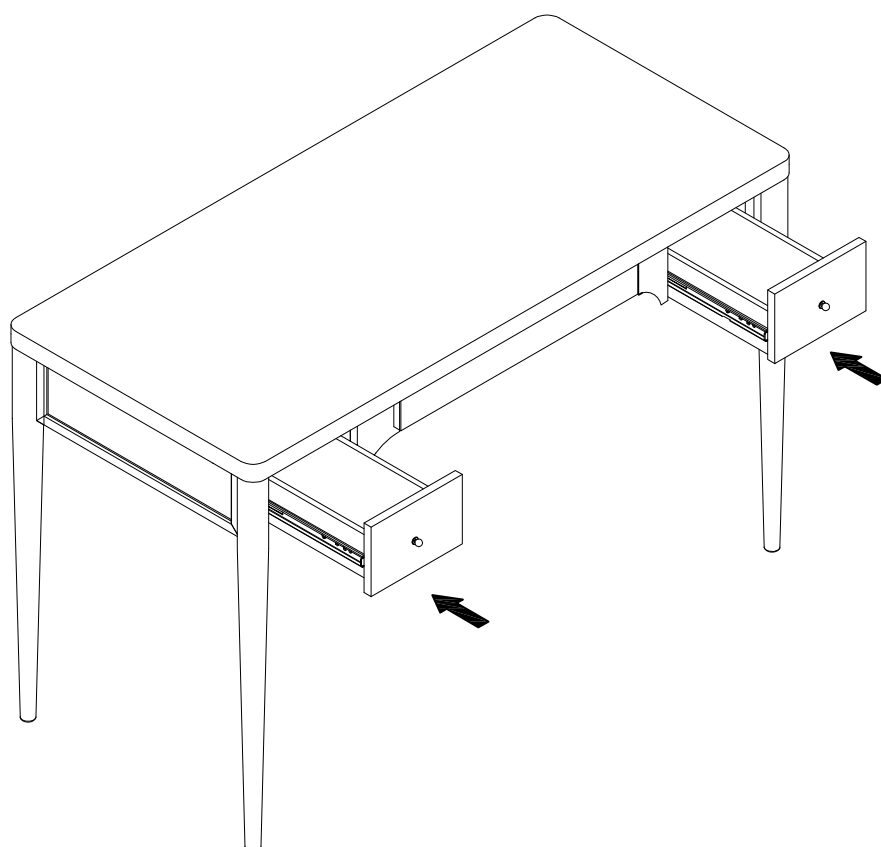
* Assemble the Leg (B) to desk top (A) by bolt (1).



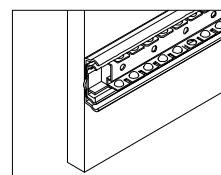
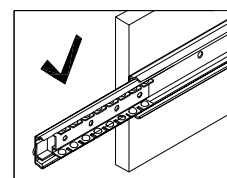
1= 8Pcs

STEP 3: Assembly of drawers

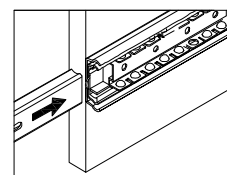
* Assemble the drawers as the right instruction.



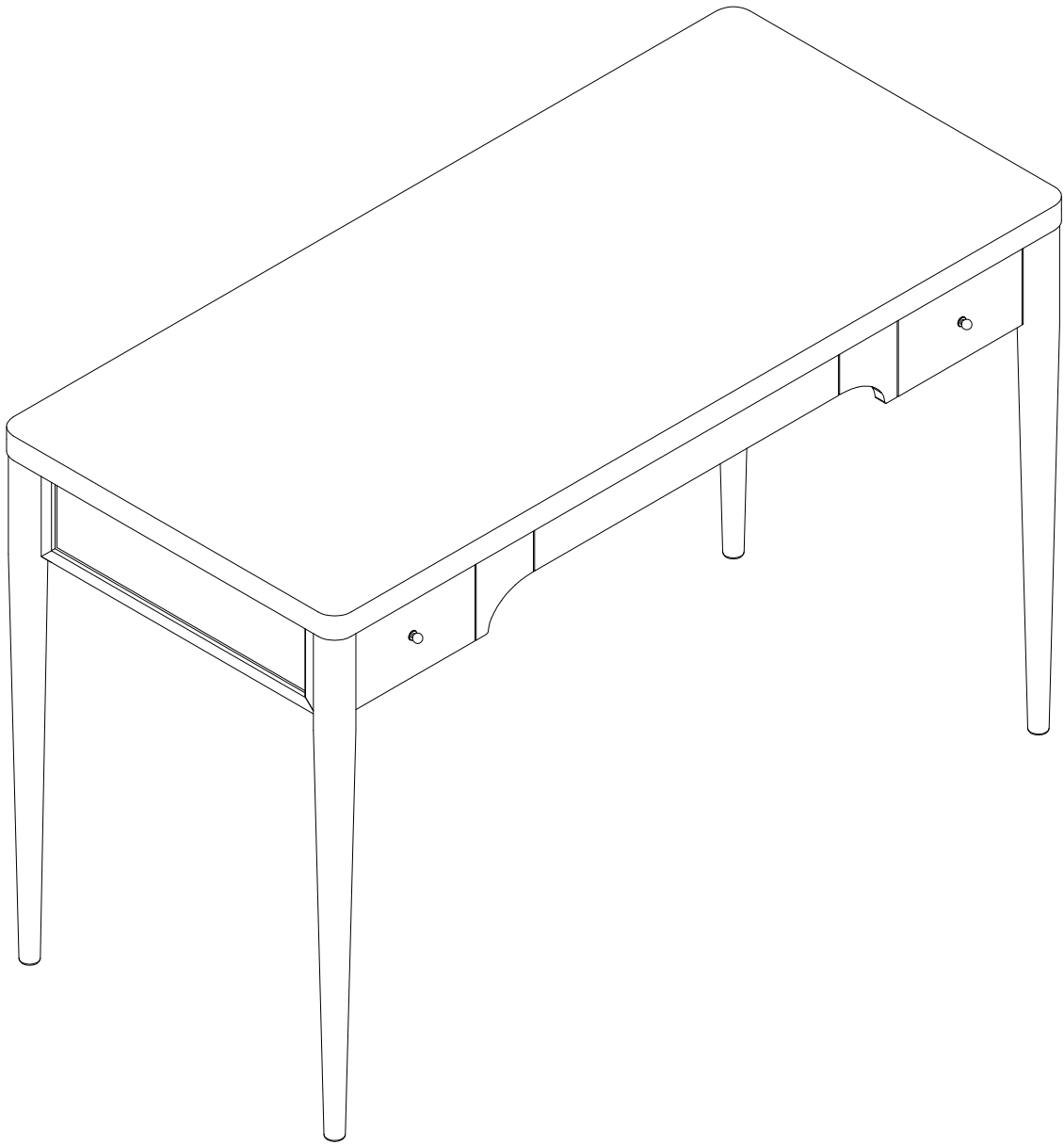
1. Pull out slide. Slide bearings forward



2. Push slide back inside.
Repeat for every slide



3. Insert into slide slot correctly push the drawer into the Desk body with force



***That's it ! You've finished
assembling your item. Thank you!***