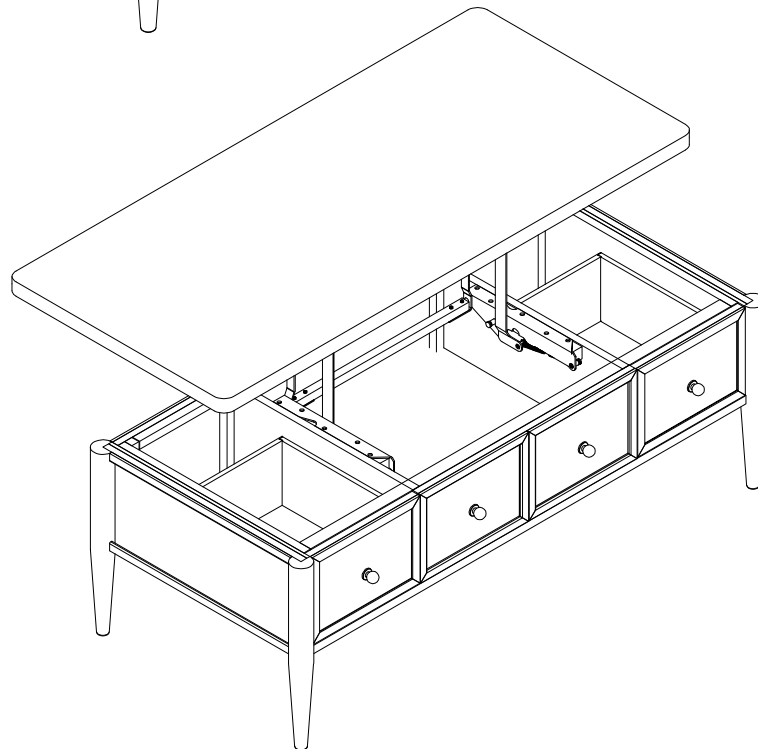
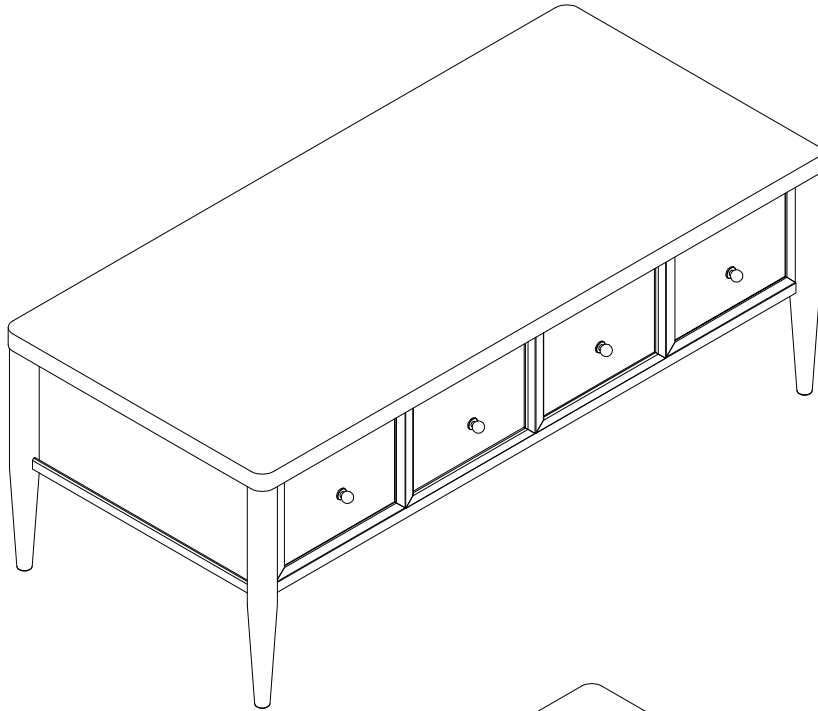


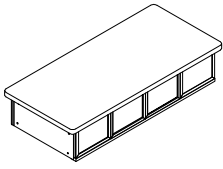
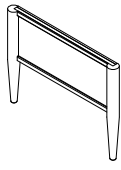
# ASSEMBLY INSTRUCTIONS

## AUSTEN - LIFT-TOP COFFEE TABLE WITH STOPAGE

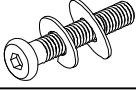
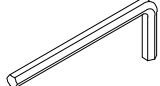
ITEM NO :T2101-250    SKU:318083



 X 2	 15 min	 X 1
---	---	--

PART	SKU#	IMAGE	DESCRIPTION	QTY
Ⓐ	318083-A-B(BLACK)		Table Top	1
Ⓑ	318083-B-B(BLACK)		Table Leg	2

### Hardware List of Lift-top Coffee Table With Stopage

PART	SKU#	IMAGE	DESCRIPTION	QTY
①	318083-1(8)		Bolts M4*Ø5/16*30mm	8
②	318083-2(1)		Allen key M4	1

*Note: Screwdriver will be prepared by yourself.*

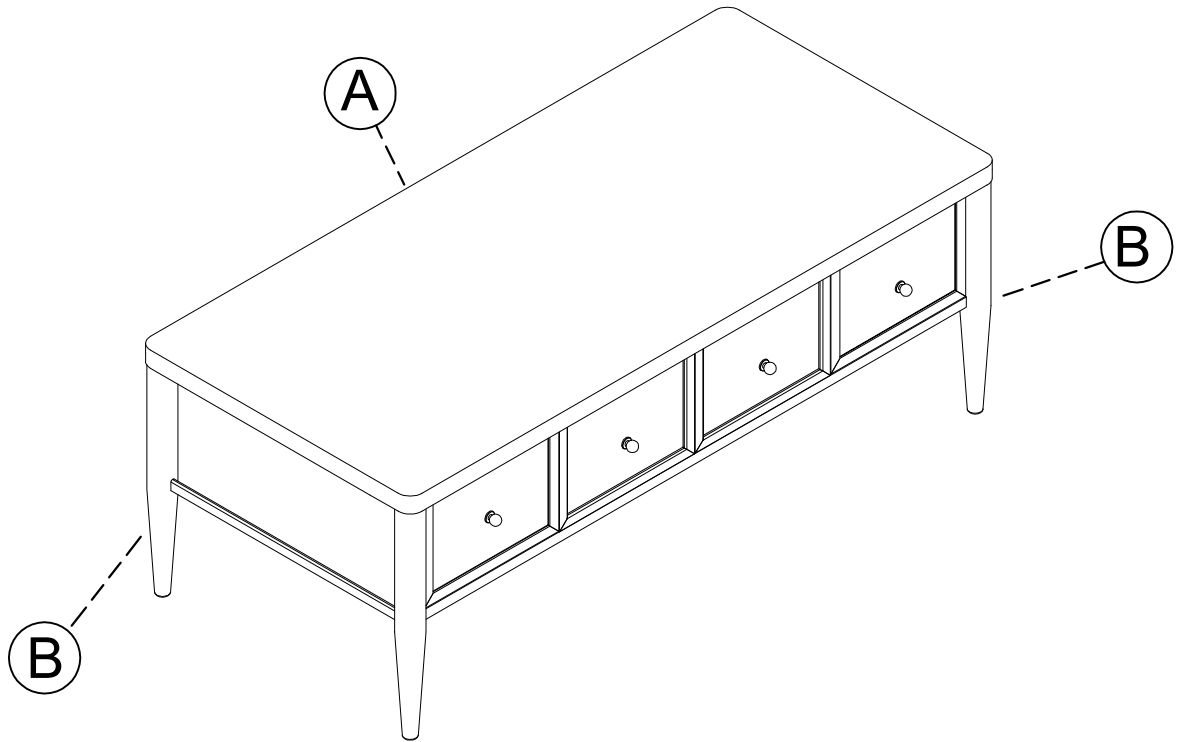
**THE HARDWARE IS LOCATED IN THE PACKING ITEM**

**NOTE: MUST TIGHTEN SCREWS PERIODIACLLY. WITH USE SCREW MAY ENCOME LOOSE CHECK TIGHTNESS OF ALL SCREWS EVERY 6-8 WEEKS.**

### CLEANING INSTRUCTIONS:

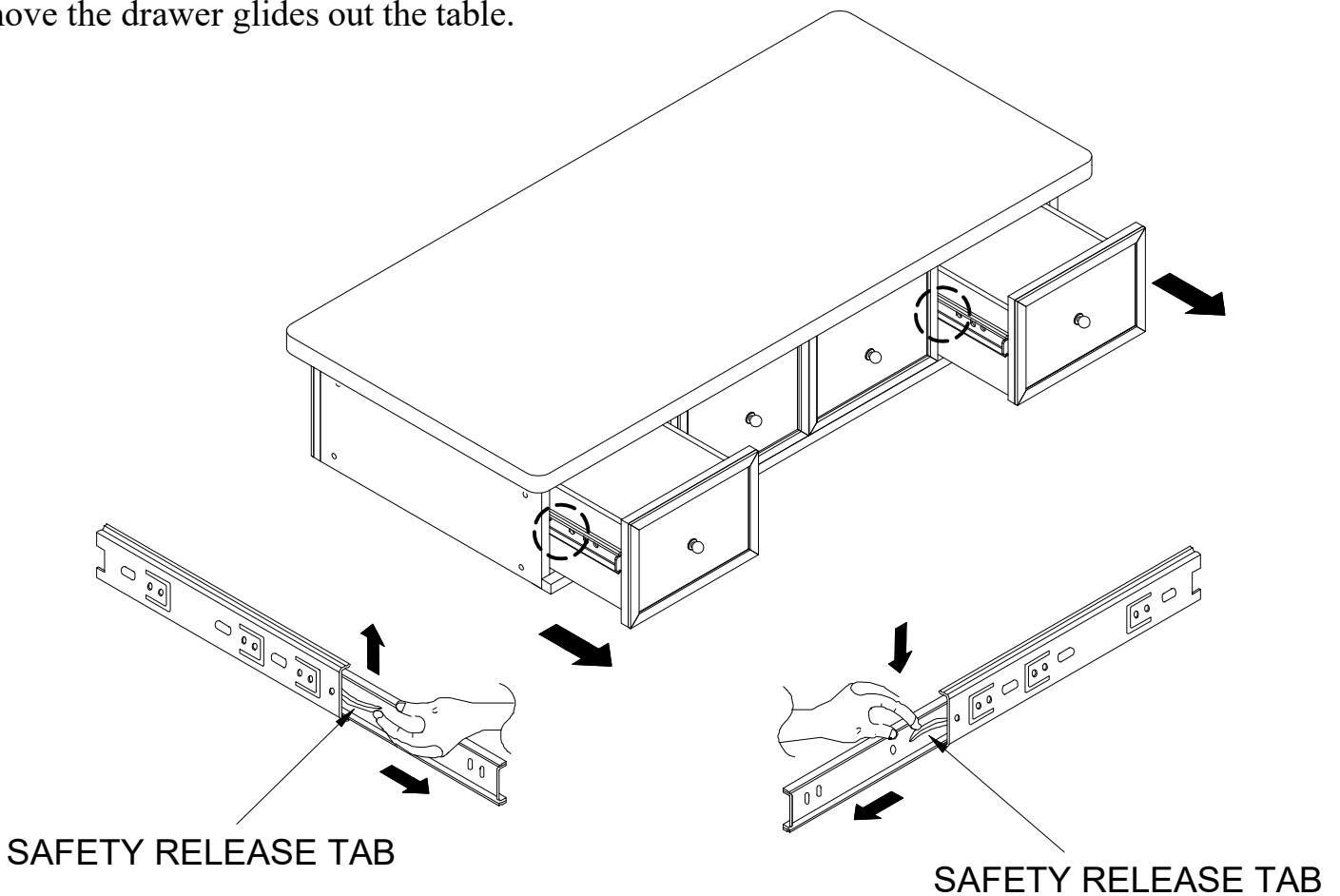
After assembly, clean and polish the completed parts if necessary with soft cloth and industrial recognized furniture polish.

# DETAIL VIEW



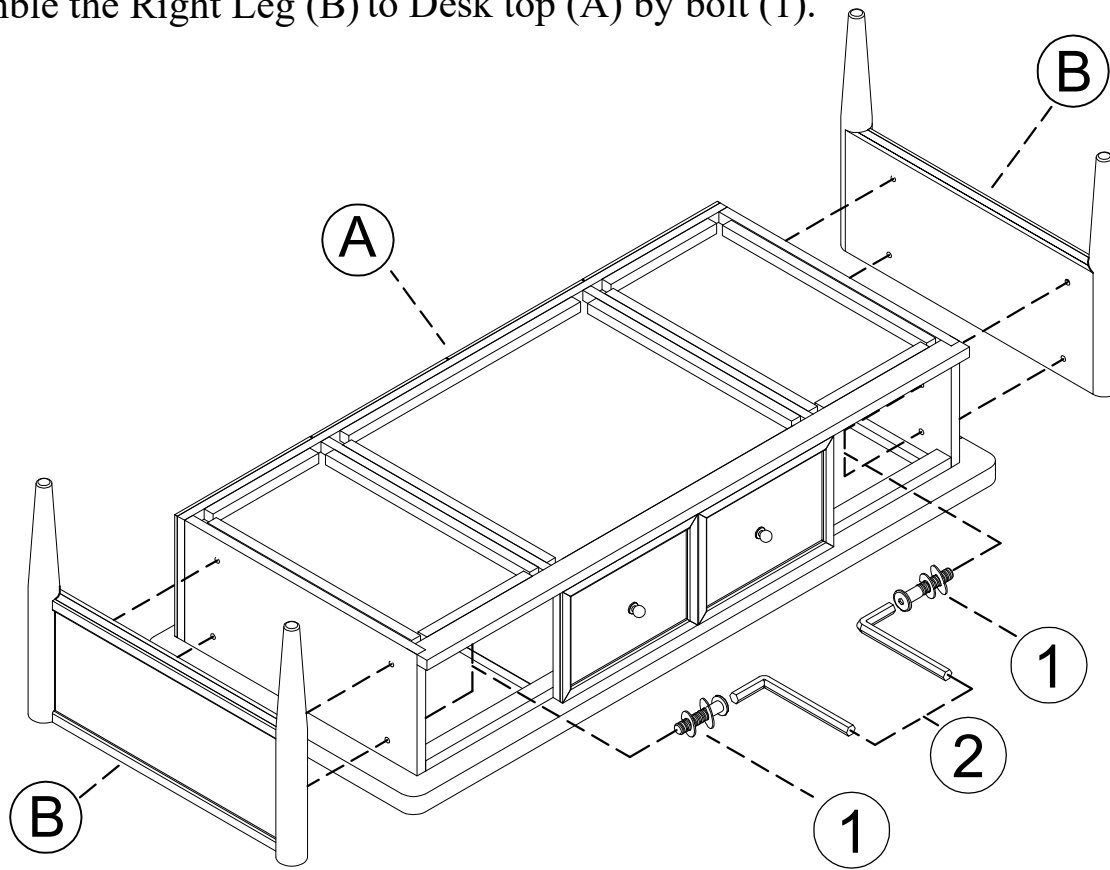
## STEP 1: Removal of drawers

\*Remove the drawer glides out the table.



## STEP 2: Assembly of the leg frames.

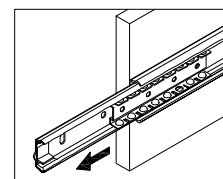
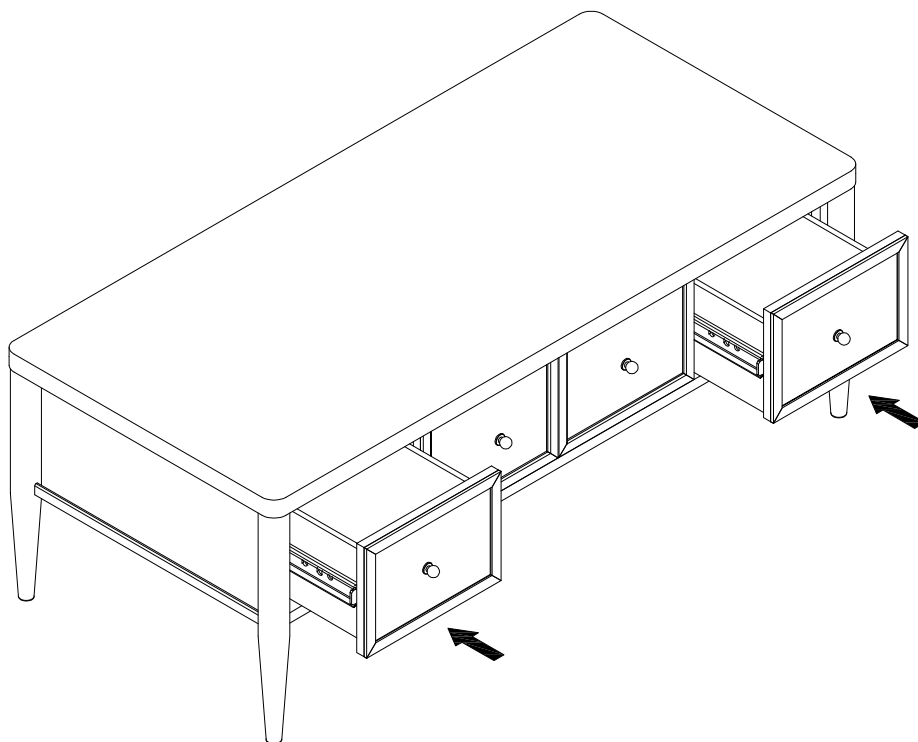
\* Assemble the Right Leg (B) to Desk top (A) by bolt (1).



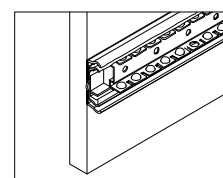
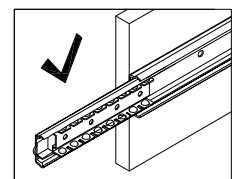
① = 8pcs

## STEP 3: Assembly of drawers

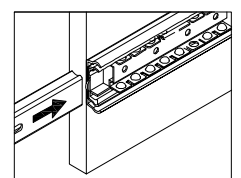
\* Assemble the drawers as the right instruction.



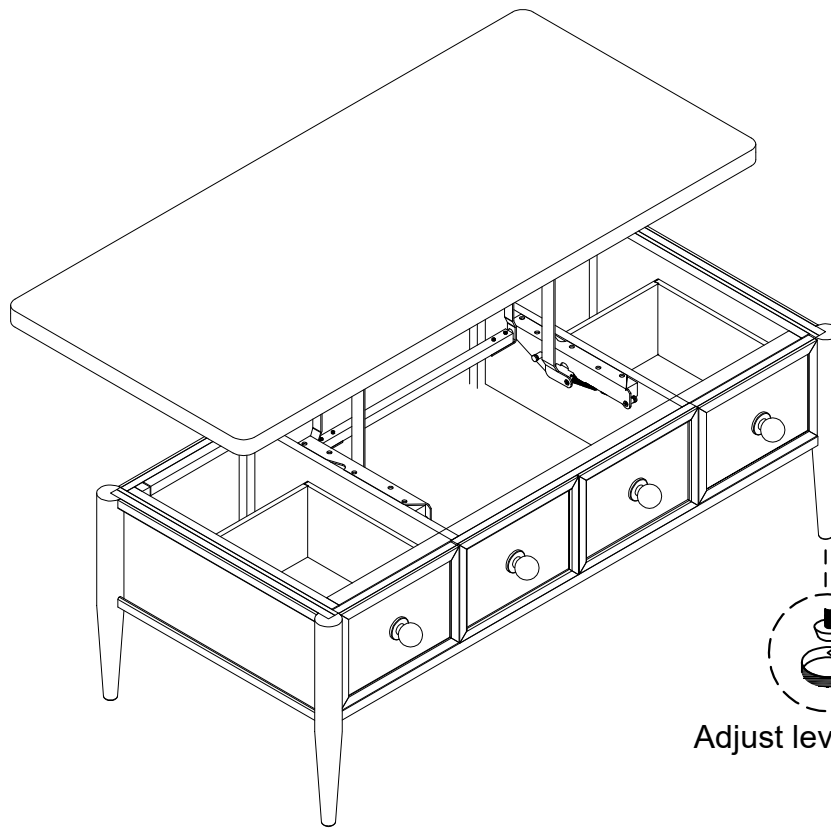
1. Pull out slide. Slide bearings forward



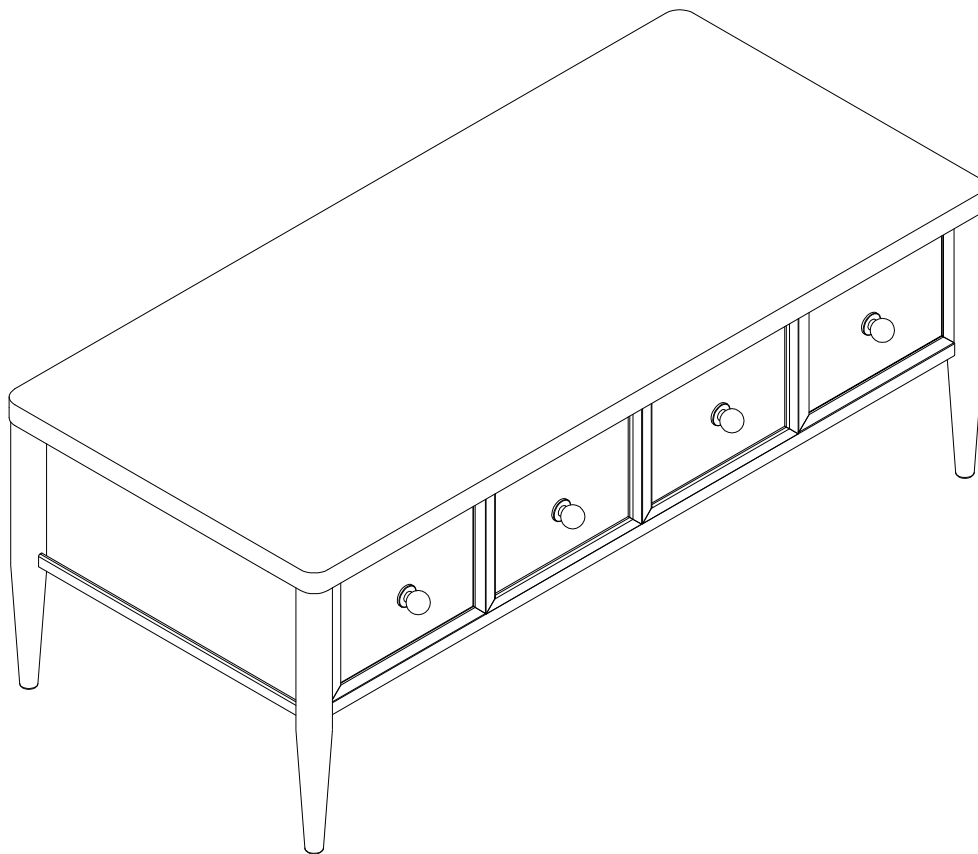
2. Push slide back inside. Repeat for every slide



3. Insert into slide slot correctly push the drawer into the table body with force



Adjust leveler =4pcs



***That's it ! You've finished assembling your item. Thank you!***