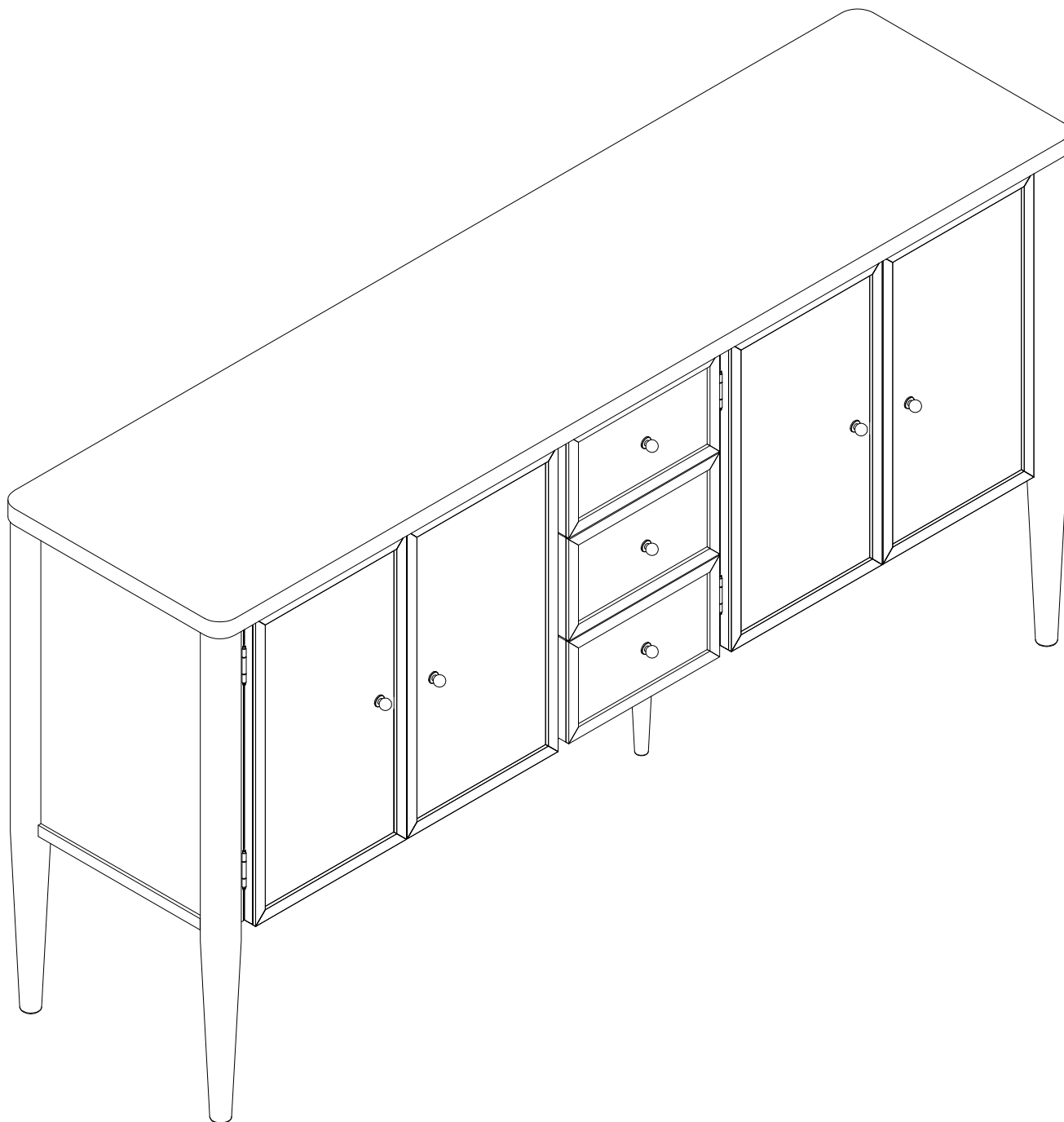


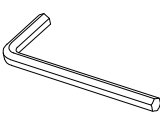
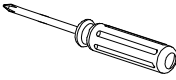
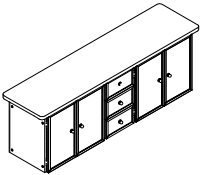
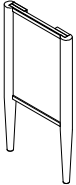
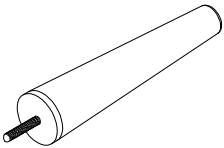


## AUSTEN - BUFFET

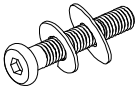
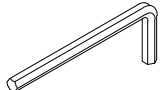

ITEM NO :D2101-243    SKU:318065



 X 2	 15 min	 X 1	 X 1
-------------------------------------------------------------------------------------------	-----------------------------------------------------------------------------------------------	--------------------------------------------------------------------------------------------	--------------------------------------------------------------------------------------------

PART	SKU#	IMAGE	DESCRIPTION	QTY
Ⓐ	318065-A-B(BLACK)		Cabinet	1
Ⓑ	318065-B-B(BLACK)		Cabinet Leg	2
Ⓓ	318065-C-B(BLACK)		Support Leg	1

### Hardware List of Buffet

PART	SKU#	IMAGE	DESCRIPTION	QTY
①	318065-1(8)		Bolts M4*Ø5/16*30mm	8
②	318065-2(1)		Allen key M4	1
③	318065-3(1)		Anti tipping kits	1

*Note: Screwdriver will be prepared by yourself.*

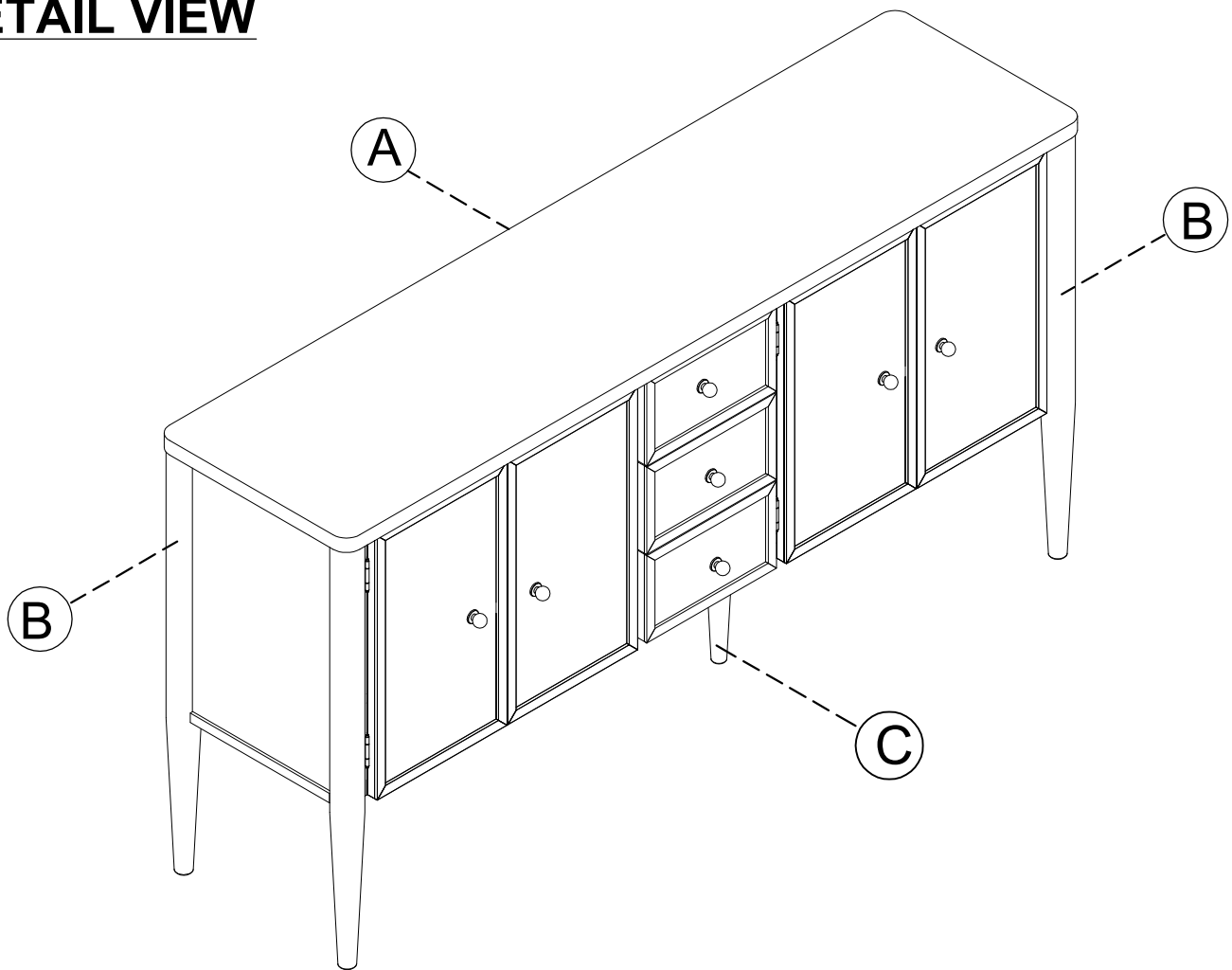
**THE HARDWARE IS LOCATED IN THE PACKING ITEM**

**NOTE: MUST TIGHTEN SCREWS PERIODIACLLY. WITH USE SCREW MAY ENCOME LOOSE CHECK TIGHTNESS OF ALL SCREWS EVERY 6-8 WEEKS.**

### CLEANING INSTRUCTIONS:

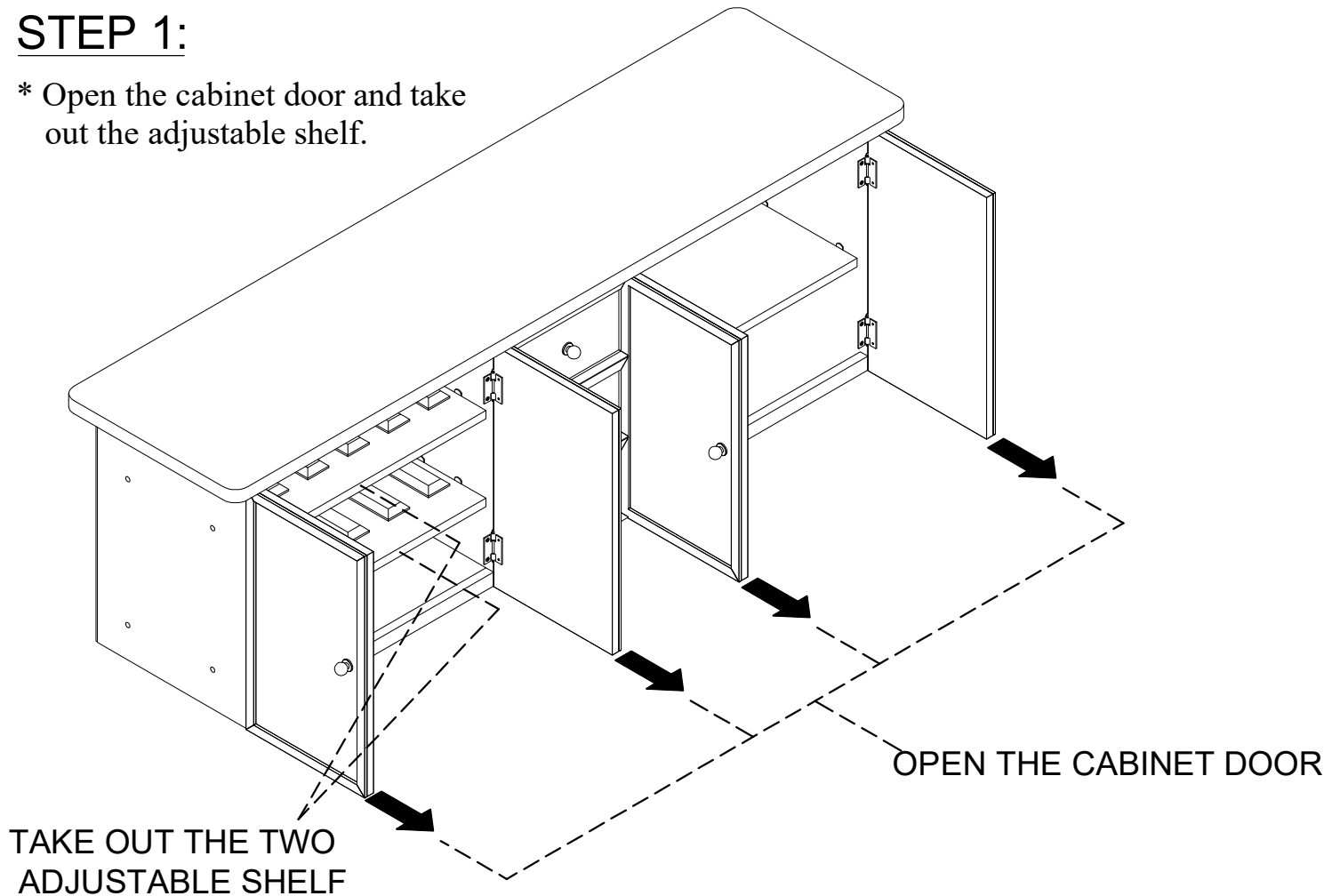
After assembly, clean and polish the completed parts if necessary with soft cloth and industrial recognized furniture polish.

# DETAIL VIEW



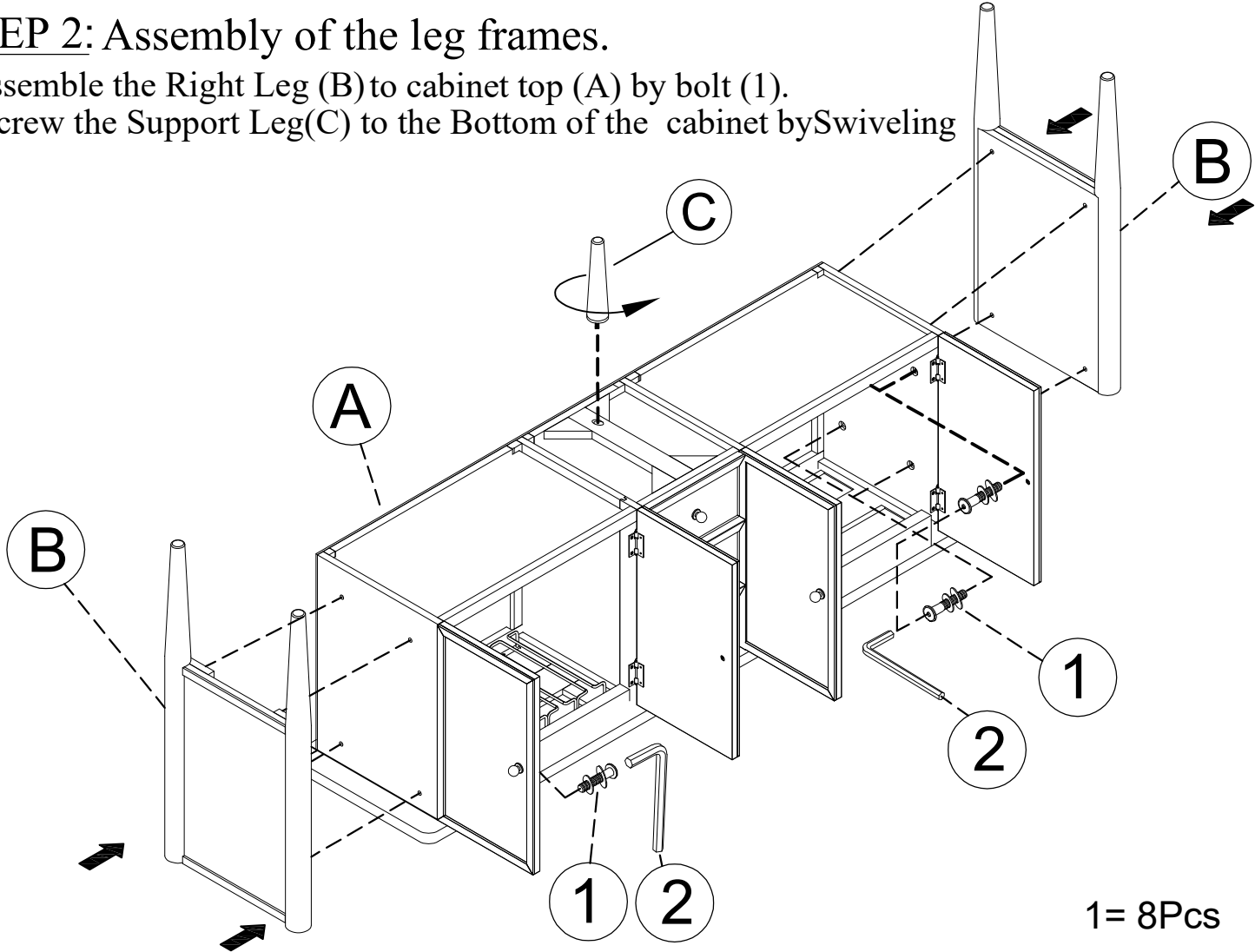
## STEP 1:

\* Open the cabinet door and take out the adjustable shelf.



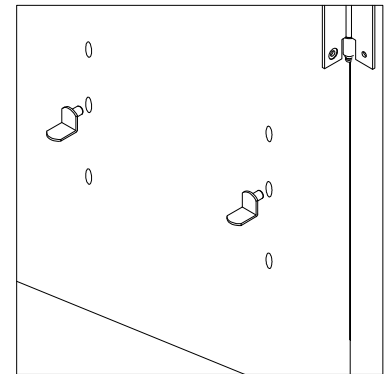
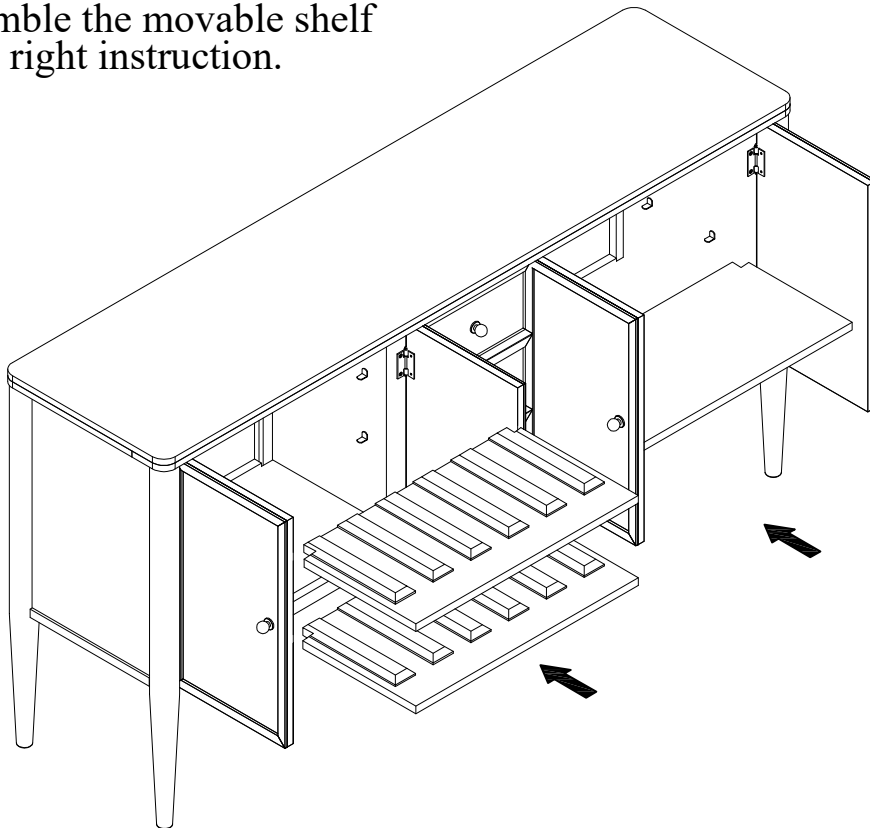
## STEP 2: Assembly of the leg frames.

- \* Assemble the Right Leg (B) to cabinet top (A) by bolt (1).
- \* Screw the Support Leg(C) to the Bottom of the cabinet by Swiveling



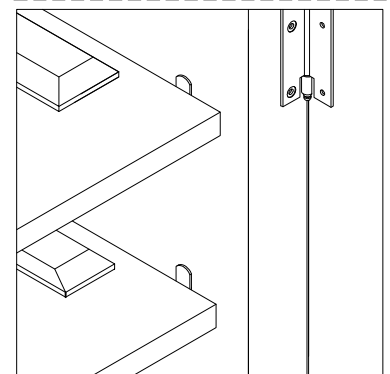
## STEP 3: Assembly of the adjustable shelves

- \* Assemble the movable shelf as the right instruction.



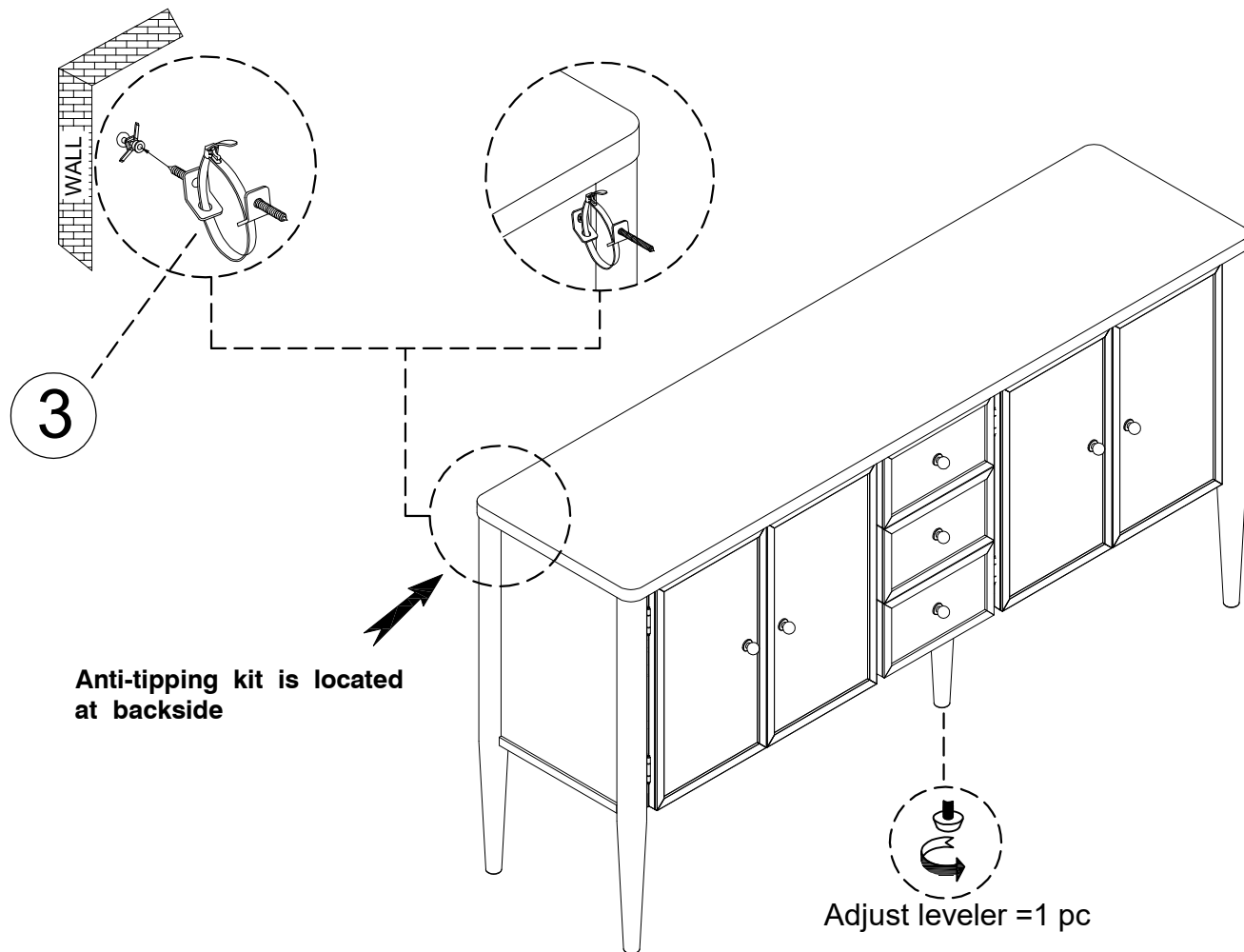
1. Install the shelf support into the hole in the side of the cabinet

\*The shelf brackets on both sides need to be installed in the holes at the same height



2. Put the movable shelf back on the shelf support

## STEP 4: Anti-tipping kit installation.



***That's it ! You've finished assembling your item. Thank you!***