



LIVING SPACES

ASSEMBLY INSTRUCTIONS

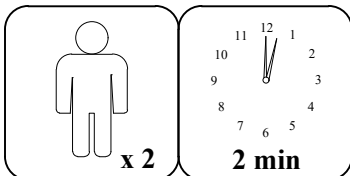
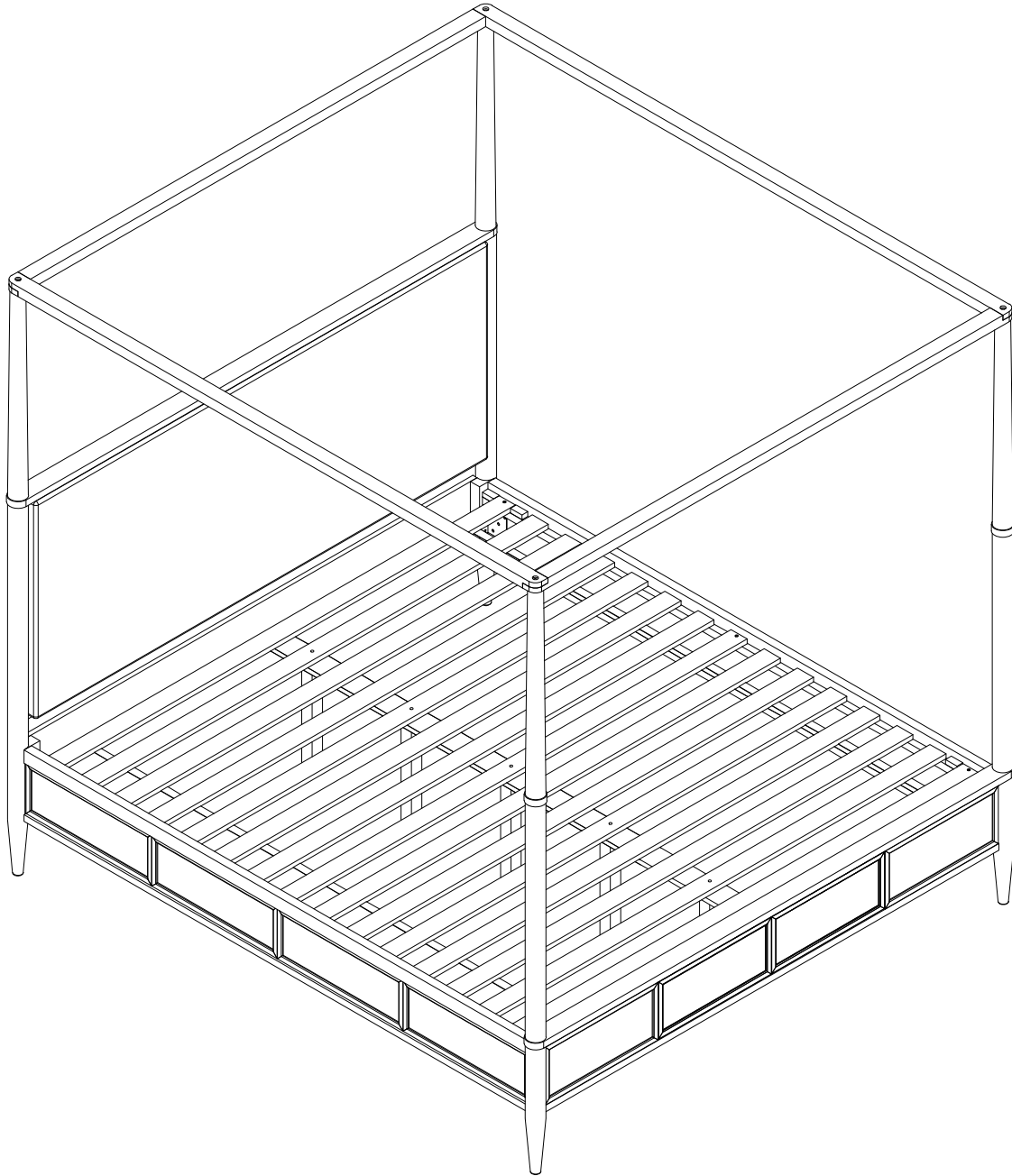
AUSTEN QN UPH HEADBOARD/POSTS CANOPY BED

AUSTEN QN NON-STORAGE FOOTBOARD/SLATS/POSTS CANOPY BED SKU:318039/318040/318057/318042




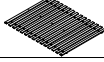

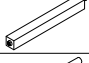

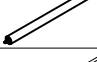


AUSTEN QN/EK NON-STORAGE SIDE RAILS PANEL/CANOPY BED

AUSTEN QN STRECHERS CANOPY BED

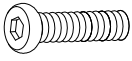
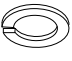


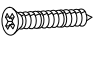
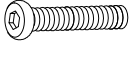
ITEM NO: B2101-137/B2101-138/B2101-191/B2101-140



1

PART	SKU#	IMAGE	DESCRIPTION	QTY
(A)	318039		Head Board	1
(B)	318040		Foot Board	1
(C)	318057		Side Rail	2
(D)	318040		Slat	1 set
(E)	318040		Middle Support Bar	2
(F)	318040		Support With Leveler	5
(G)	318039/318040		Head Board/Foot Board Posts canopy	4
(H)	318040		Foot Board Posts canopy	2
(I)	318042		Head Board/Foot Board canopy	2
(J)	318042		Lift/Right canopy rail	2

Hardware List

PART	SKU#	IMAGE	DESCRIPTION	QTY
(1)	318057		Bolts 5/16" *25mm	8
(2)	318057/318042		Spring Washer 5/16" Dia	12
(3)	318057/318042		Flat Washer 5/16" * Dia	12
(4)	318057/318042		Allen key	2
(5)	318040		Screw #8* 30mm	6
(6)	318042		Bolts 5/16" *60mm	4

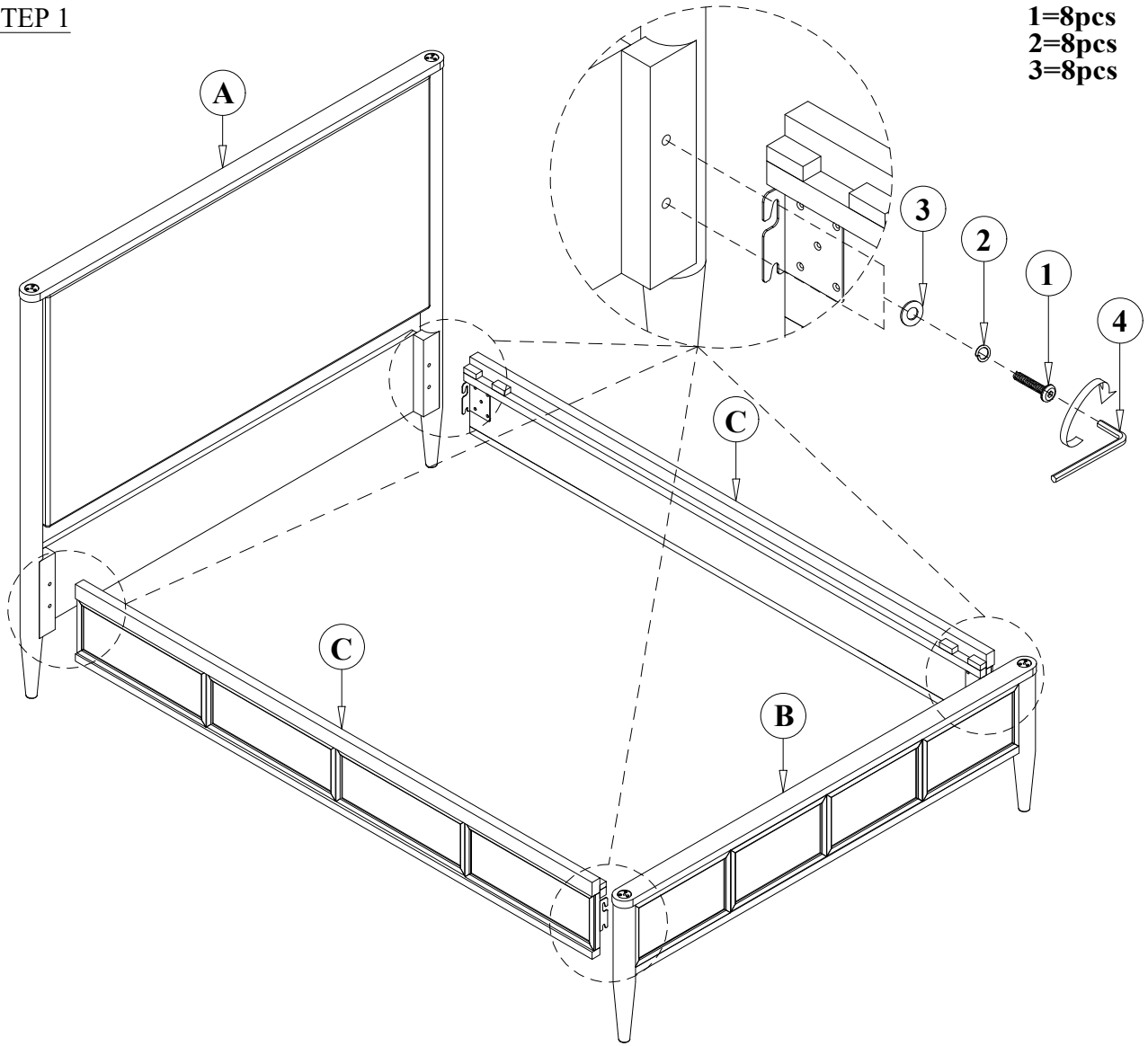
THE HAEDWARE IS LOCATED IN THE PACKING ITEM

MUST: TIGHTEN SCREWS PERIODIACLLY. WITH USE SCREW MAY ENCOME LOOSE CHECK TIGHTNESS OF ALL SCREWS EVERY 6-8 WEEKS.

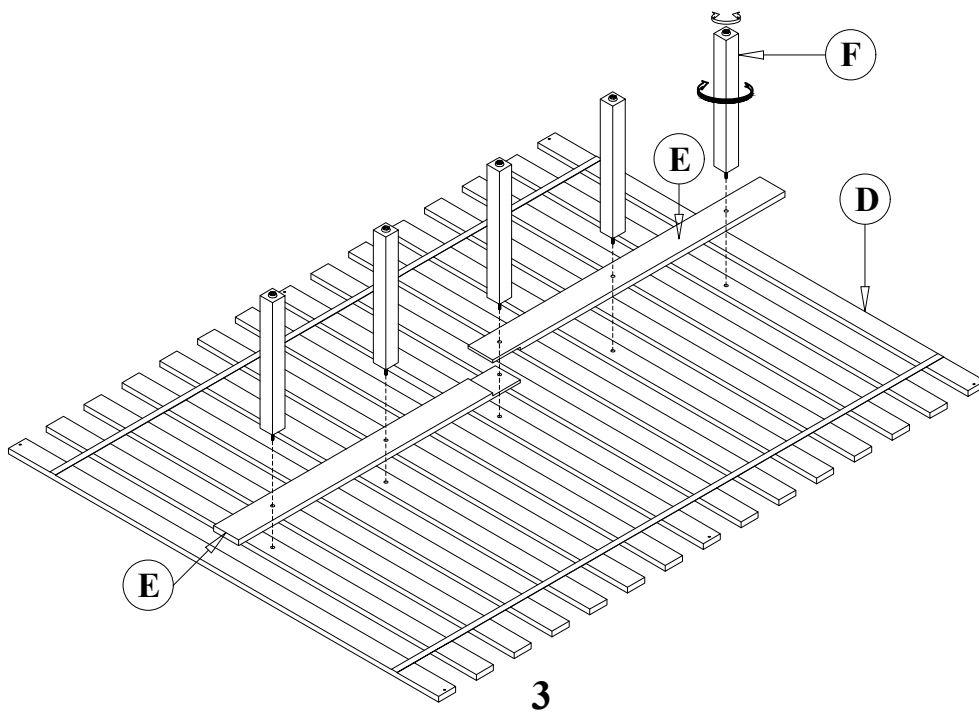
CLEANING INSTRUCTIONS:

After assembly, clean and polish the completed parts if necessary with soft cloth and industrial recognized furniture polish.

STEP 1

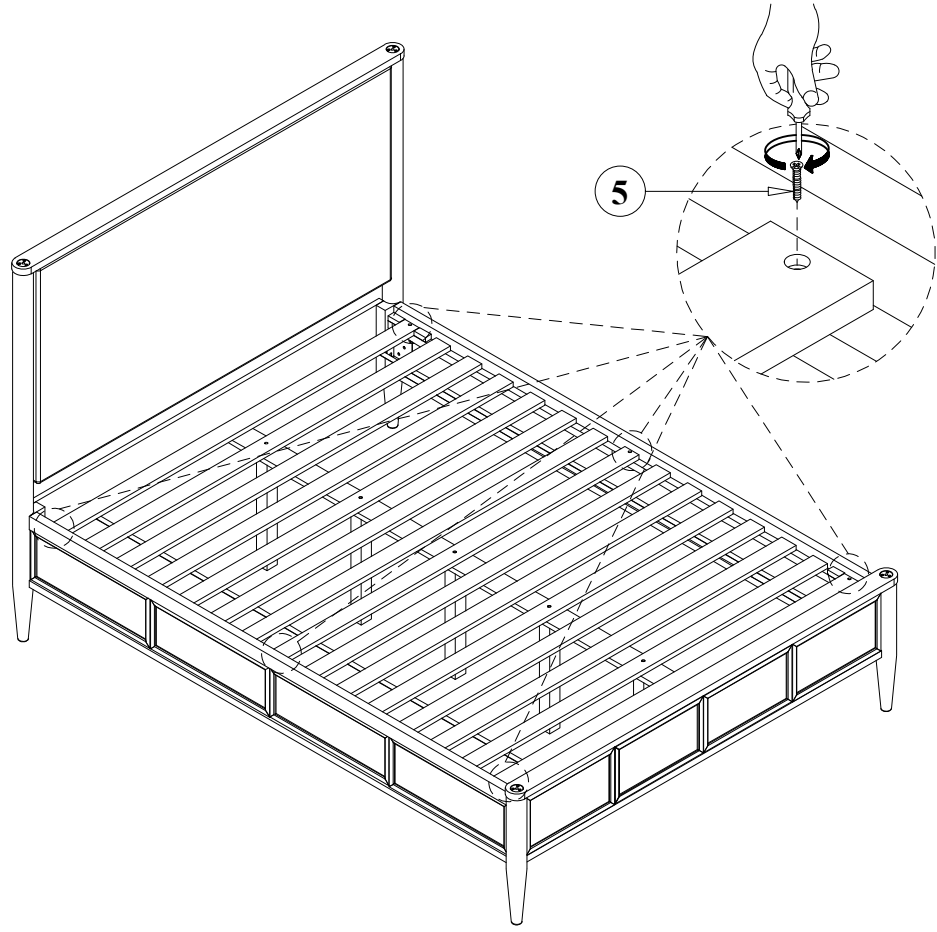


STEP 2

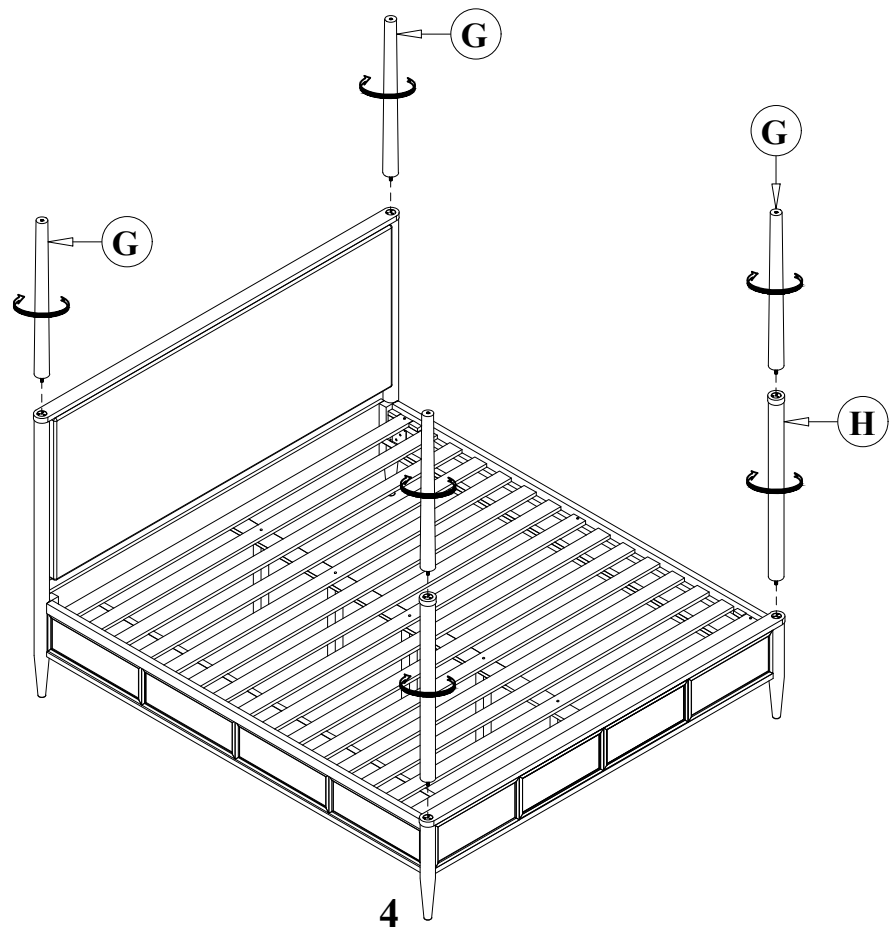


STEP 3

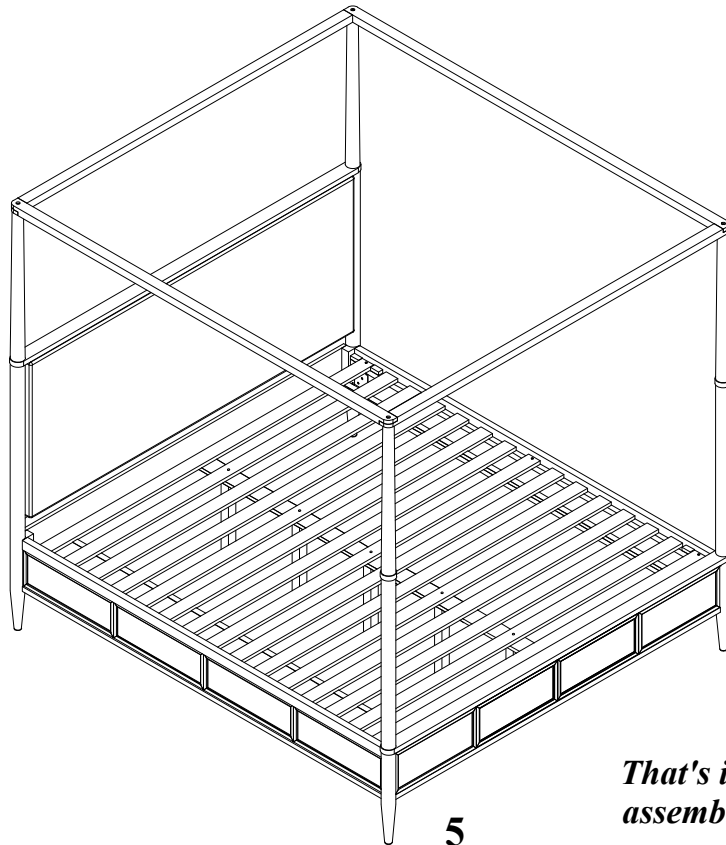
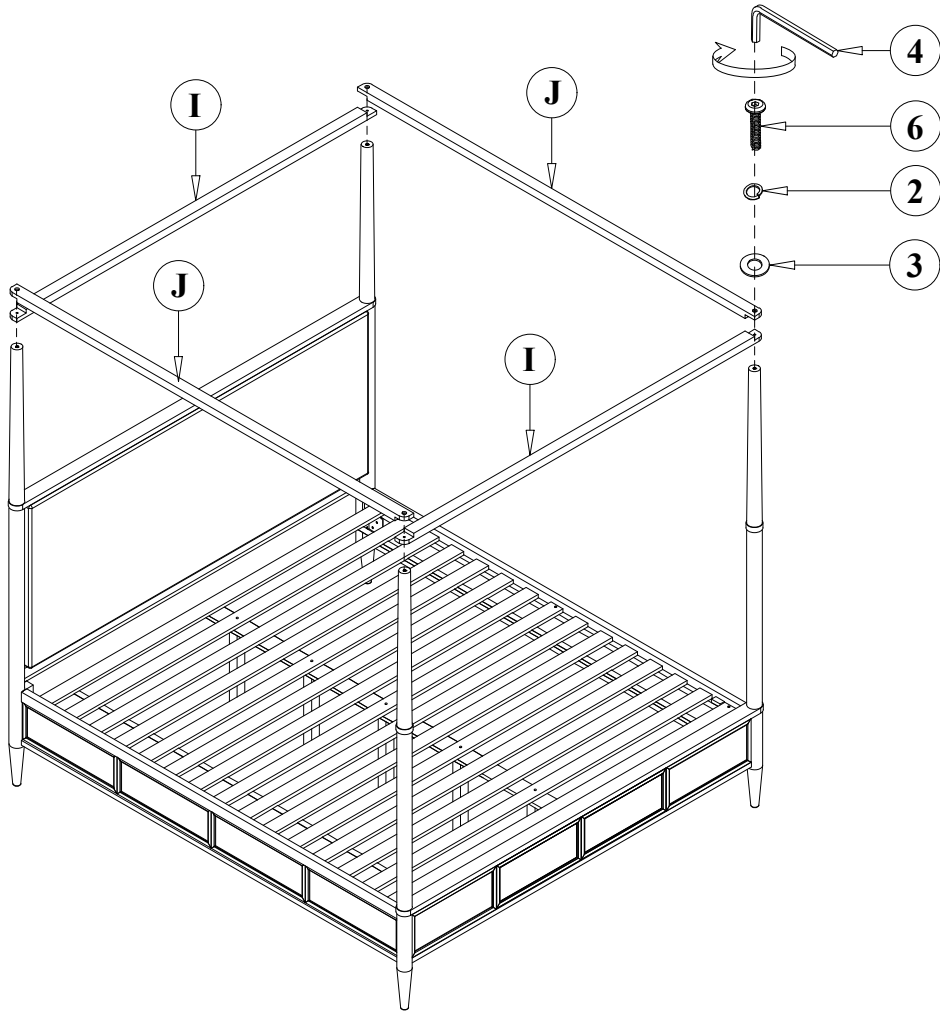
5=6pcs



STEP 4



STEP 5



5

That's it ! You've finished assembling your item. Thank you!