



LIVING SPACES

ASSEMBLY INSTRUCTIONS

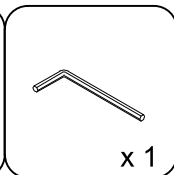
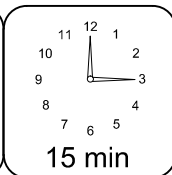
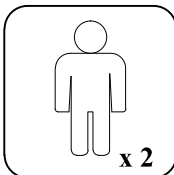
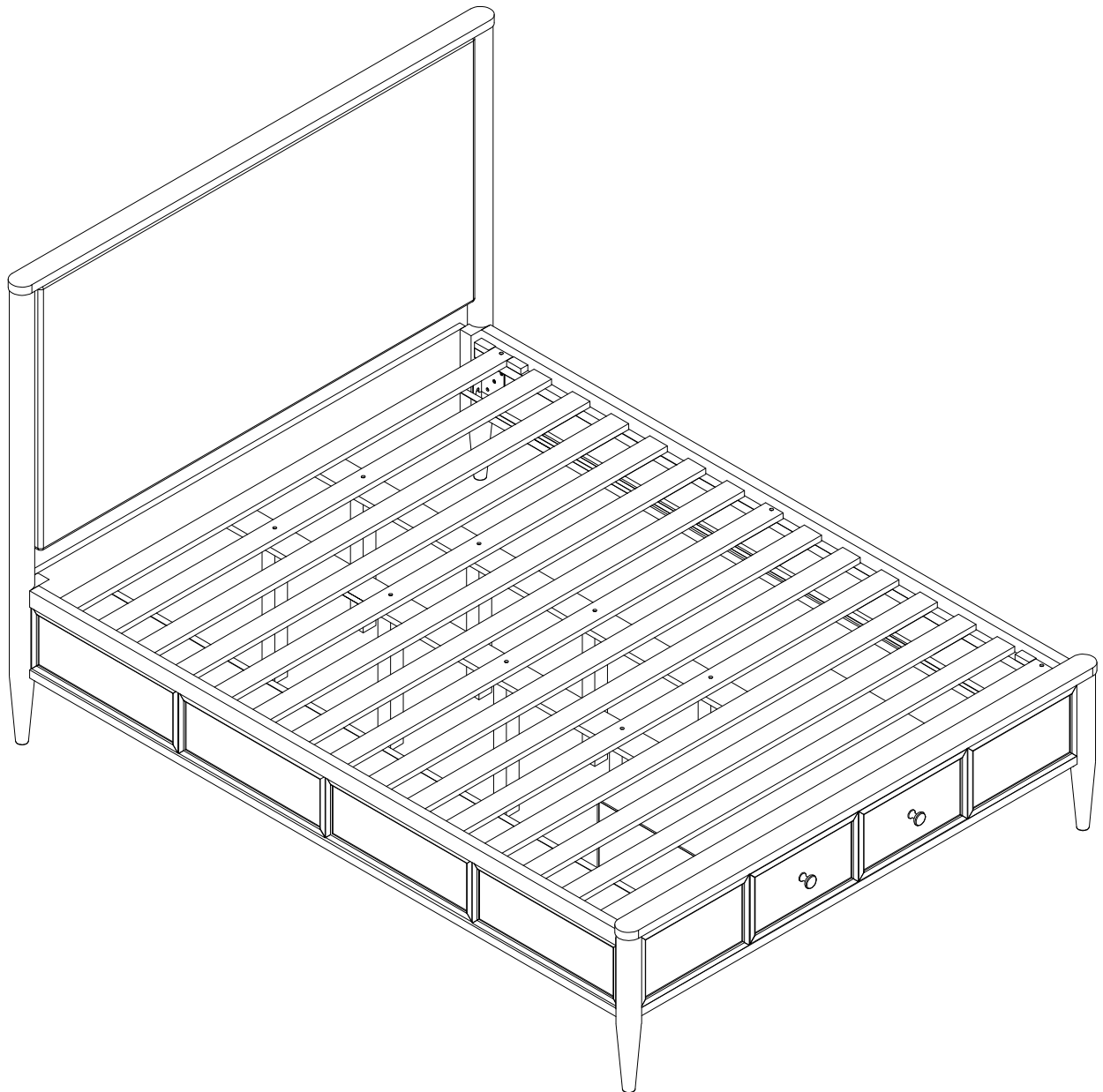
AUSTEN CK/EK UPH HEADBOARD PANEL BED

AUSTEN CK/EK STORAGE FOOTBOARD/SLATS PANEL BED

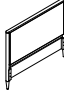
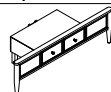
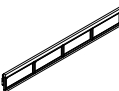
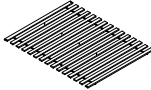
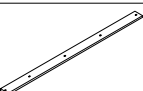
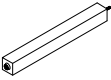
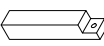
SKU:318034/318025/318057

AUSTEN QN/EK NON-STORAGE SIDE RAILS PANEL/CANOPY BED









ITEM NO: B2101-136/B2101-135/B2101-191



1

| PART | SKU# | IMAGE | DESCRIPTION | QTY |
|------|--------|---|----------------------|-------|
| (A) | 318034 |  | Head Board | 1 |
| (B) | 318025 |  | Storage Foot Board | 1 |
| (C) | 318057 |  | Side Rail | 2 |
| (D) | 318025 |  | Slat | 1 set |
| (E) | 318025 |  | Middle Support Bar | 2 |
| (F) | 318025 |  | Support With Leveler | 8 |
| (G) | 318025 |  | Foot Board back leg | 2 |

Hardware List

| PART | SKU# | IMAGE | DESCRIPTION | QTY |
|------|---------------|--|-------------------------|-----|
| (1) | 318057 |  | Bolts 5/16" *25mm | 8 |
| (2) | 318057 |  | Spring Washer 5/16" Dia | 8 |
| (3) | 318057 |  | Flat Washer 5/16" * Dia | 8 |
| (4) | 318025/318057 |  | Allen key | 2 |
| (5) | 318025 |  | Screw #8* 30mm | 6 |
| (6) | 318025 |  | Bolts 1/4" *38mm | 2 |
| (7) | 318025 |  | Spring Washer 1/4"*11mm | 2 |
| (8) | 318025 |  | Flat Washer 1/4" *19mm | 2 |

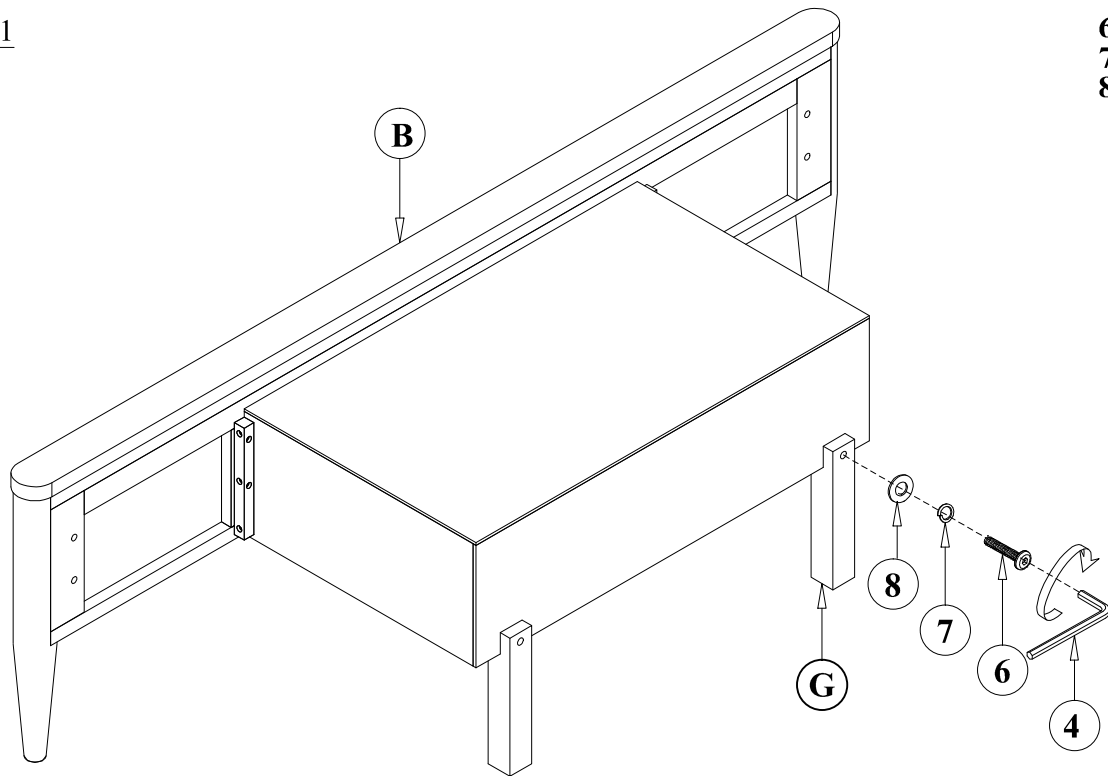
THE HARDWARE IS LOCATED IN THE PACKING ITEM

MUST: TIGHTEN SCREWS PERIODICALLY. WITH USE SCREW MAY ENCOME LOOSE CHECK TIGHTNESS OF ALL SCREWS EVERY 6-8 WEEKS.

CLEANING INSTRUCTIONS:

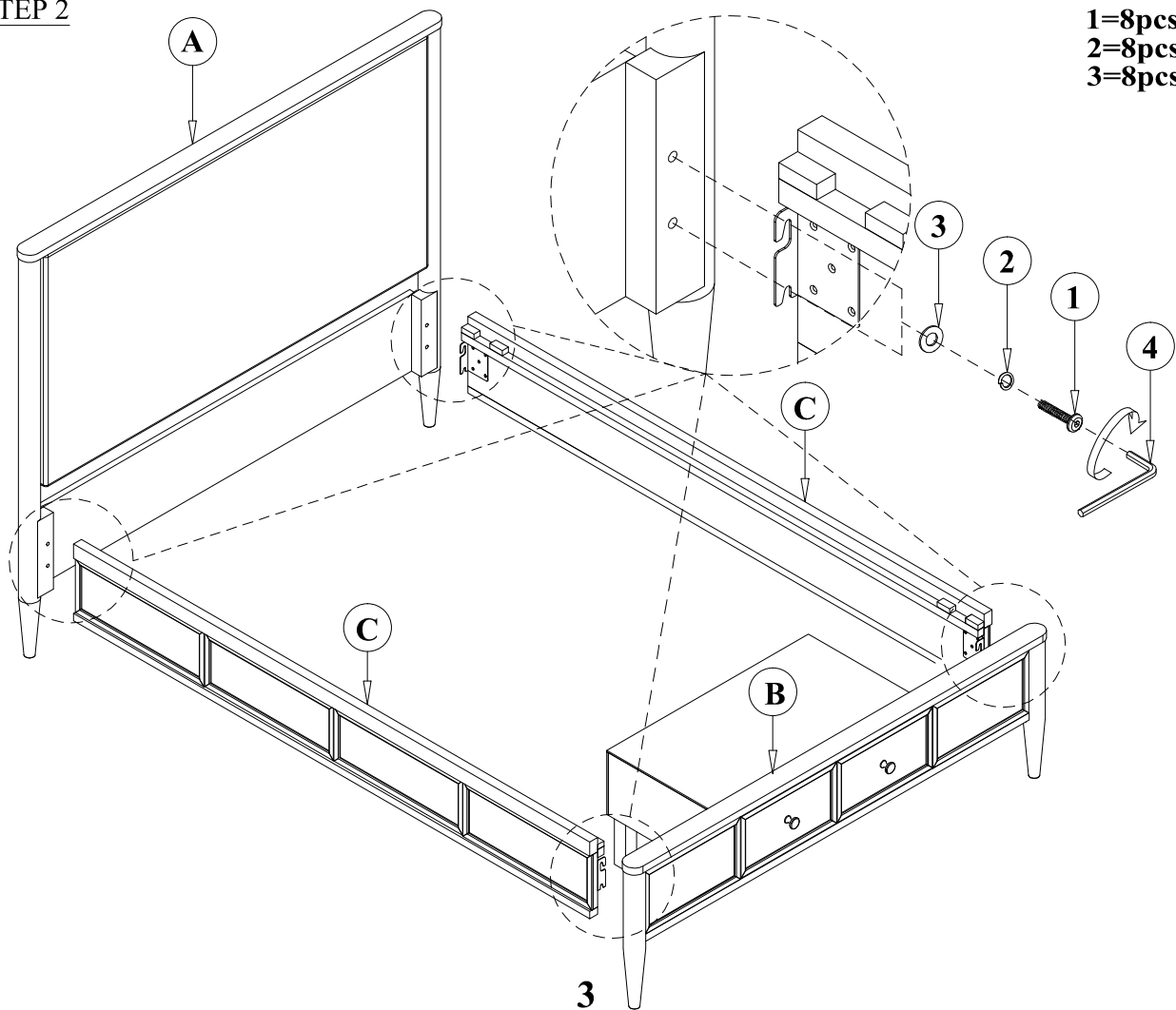
After assembly, clean and polish the completed parts if necessary with soft cloth and industrial recognized furniture polish.

STEP 1



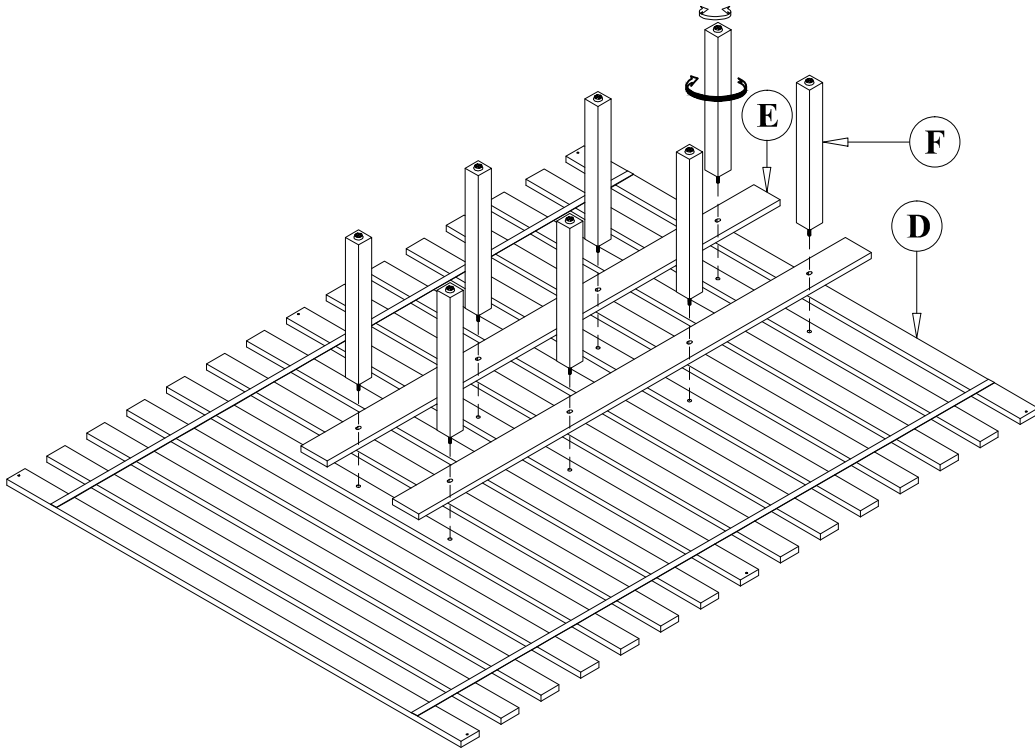
6=2pcs
7=2pcs
8=2pcs

STEP 2

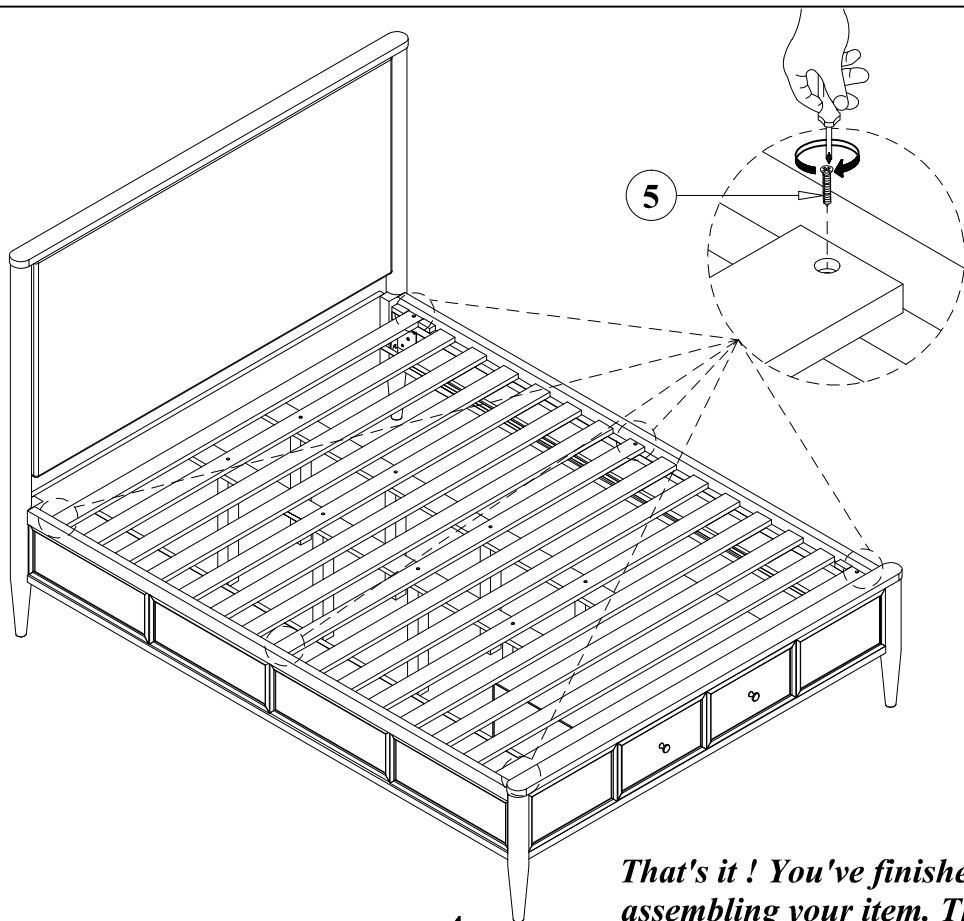


1=8pcs
2=8pcs
3=8pcs

STEP 3



STEP 4



5=6pcs

That's it ! You've finished assembling your item. Thank you!