



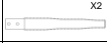


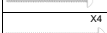


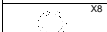
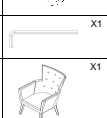
Vendor Information	
Vendor Name:	LSMX1
Vendor Code:	V-005852

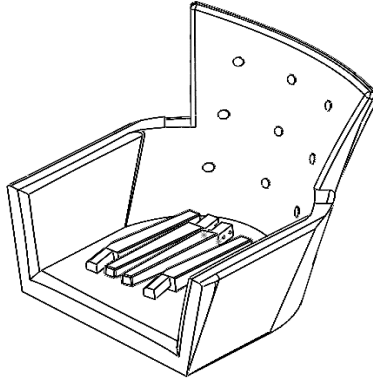
Living Space Information	
LS SKU:	317573
LS product Name:	JULINHA MARIGOLD ACCENT CHAIR
Vendor Model #:	1531-ACH-JU-GOL
Vendor Collection:	JULINHA

CODE	PART #	DESCRIPTION	SHIPS IN 48 HRS	QUANTITY	PRICING	NOTES
A	LEGKELBA	WOOD LEG KELSEY BACK	YES	2		
B	LEGKELFR	WOOD LEG KELSEY FRONT	YES	2		
C	SCREW2BH	5/16-18X2 BUTTON HEAD SOCKET	YES	4		
D	SCREW212	SCREW 5/16-18X2-1/2 BUTTON HEAD	YES	4		
E	FLATWASH	5/16 USS FLAT WASHER ZN	YES	8		
F	LWASHERZ	3/8 MEDIUM SPLIT L/WASEHR ZN	YES	8		
G	ALLEN316	3/16 SHORT ARM HEX KEY	YES	1		

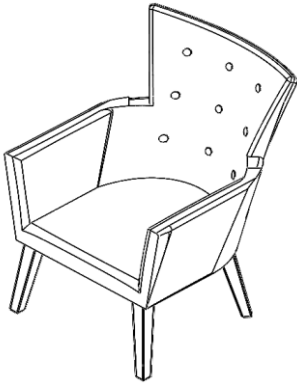


STEP 1:

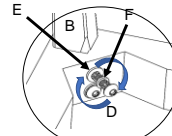
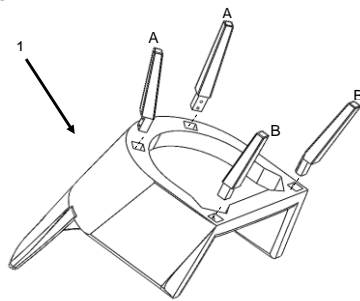
A	LEGKELBA	 X2
B	LEGKELFR	 X2
C	SCREW2BH	 X4
D	SCREW212	 X4
E	FLATWASH	 X8
F	LWASHERZ	 X8
G	ALLEN316	 X1
1		 X1



ACCENT CHAIR JULINHA



STEP 2:



USE THE ALLEN WRENCH TO SCREW THE LEGS

