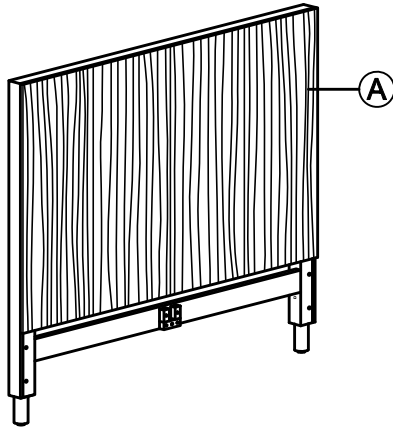


ARGENTO CAL KING BED ASSEMBLY INSTRUCTIONS



BOX #1

A. HEADBOARD : 1 PC

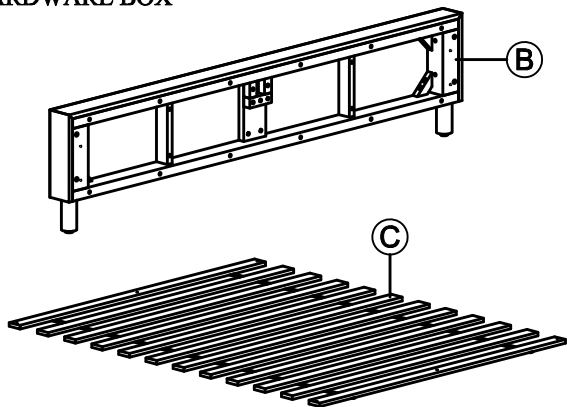


HARDWARE PACKED IN BOX #2

1	ALL-THREAD BOLT (M8x70)		8PCS
2	SPRING WASHER (M8)		8PCS
3	HALF MOON WASHER (M8)		8PCS
4	HEX NUT (M8)		8PCS
5	SPANNER		1PC
6	ALLEN KEY		1PC
7	WOOD SCREW (M4x30)		6PC
8	ALLEN BOLT (M6x60)		14PC

BOX #2

B. FOOTBOARD : 1 PC
C. SLAT ROLL : 1 SET
BED HARDWARE BOX *



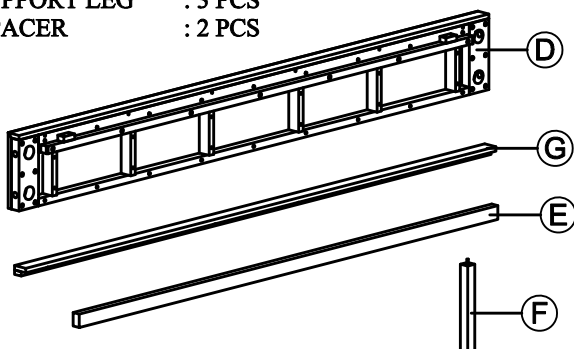
TOOL REQUIRED : PHILLIPS HEAD
SCREW DRIVER (NOT PROVIDED)

YOUR BOX
MAY CONTAIN
EXTRA HARDWARE

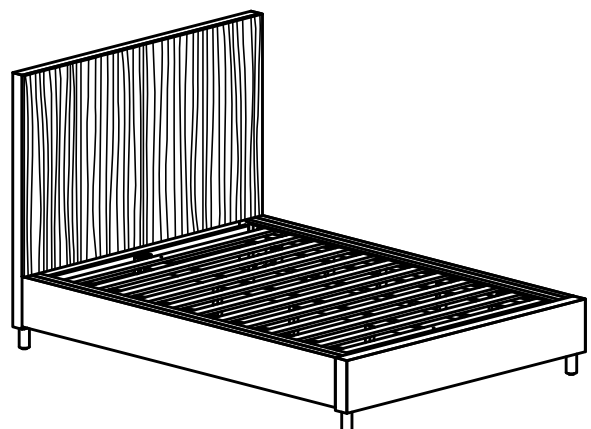


BOX #3

D. SIDERAIL : 2 PCS
E. CENTER SLAT : 1 PC
F. SUPPORT LEG : 3 PCS
G. SPACER : 2 PCS



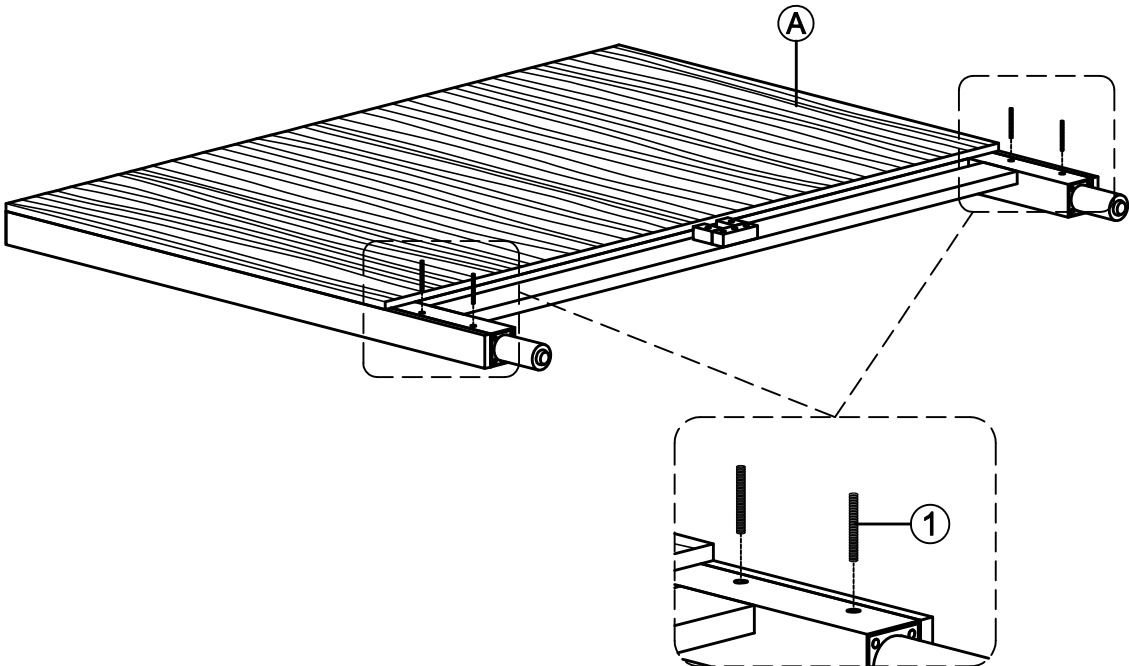
ASSEMBLY COMPLETE



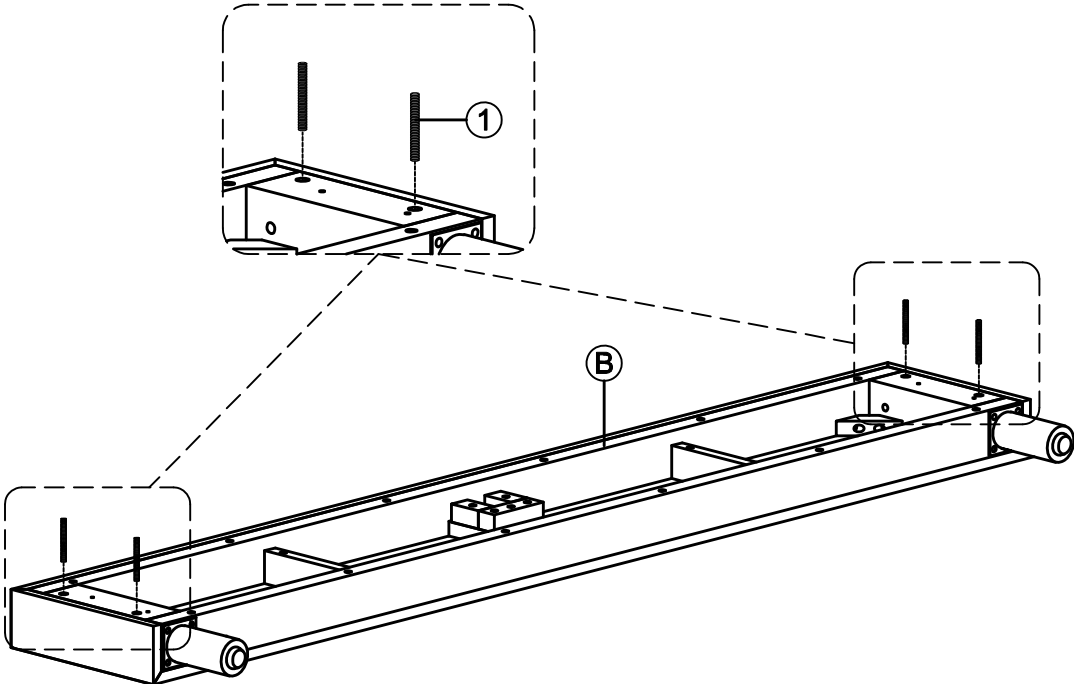
ARGENTO CAL KING BED ASSEMBLY INSTRUCTIONS



STEP #1:



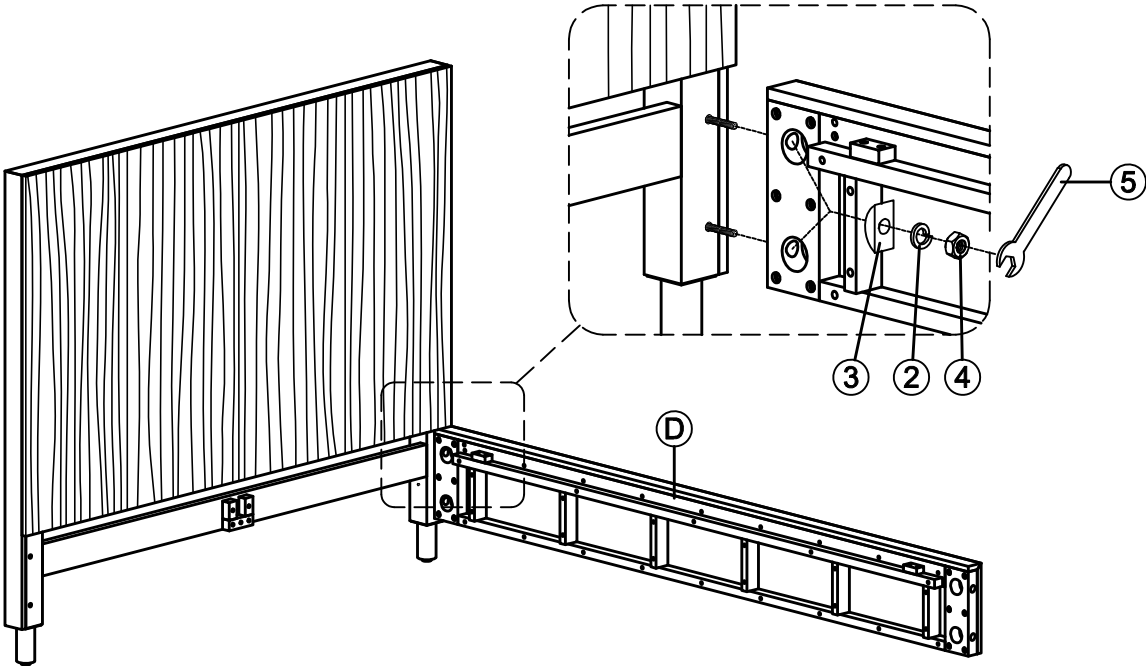
STEP #2:



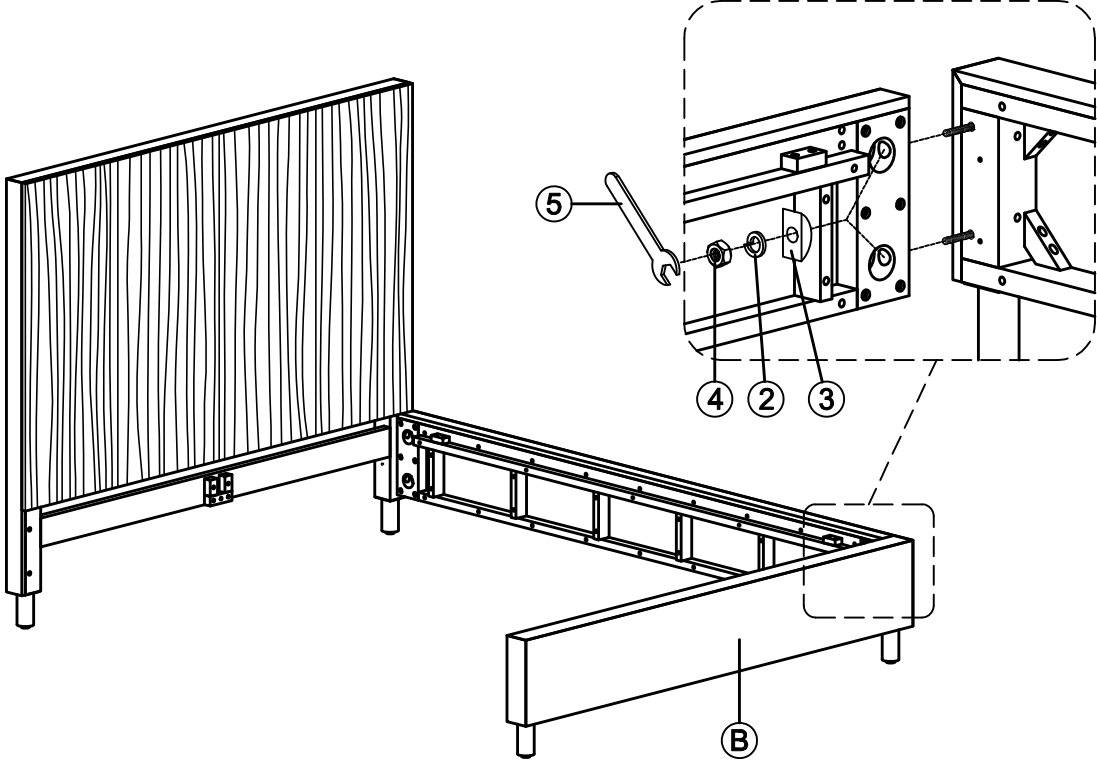
ARGENTO CAL KING BED ASSEMBLY INSTRUCTIONS



STEP #3:



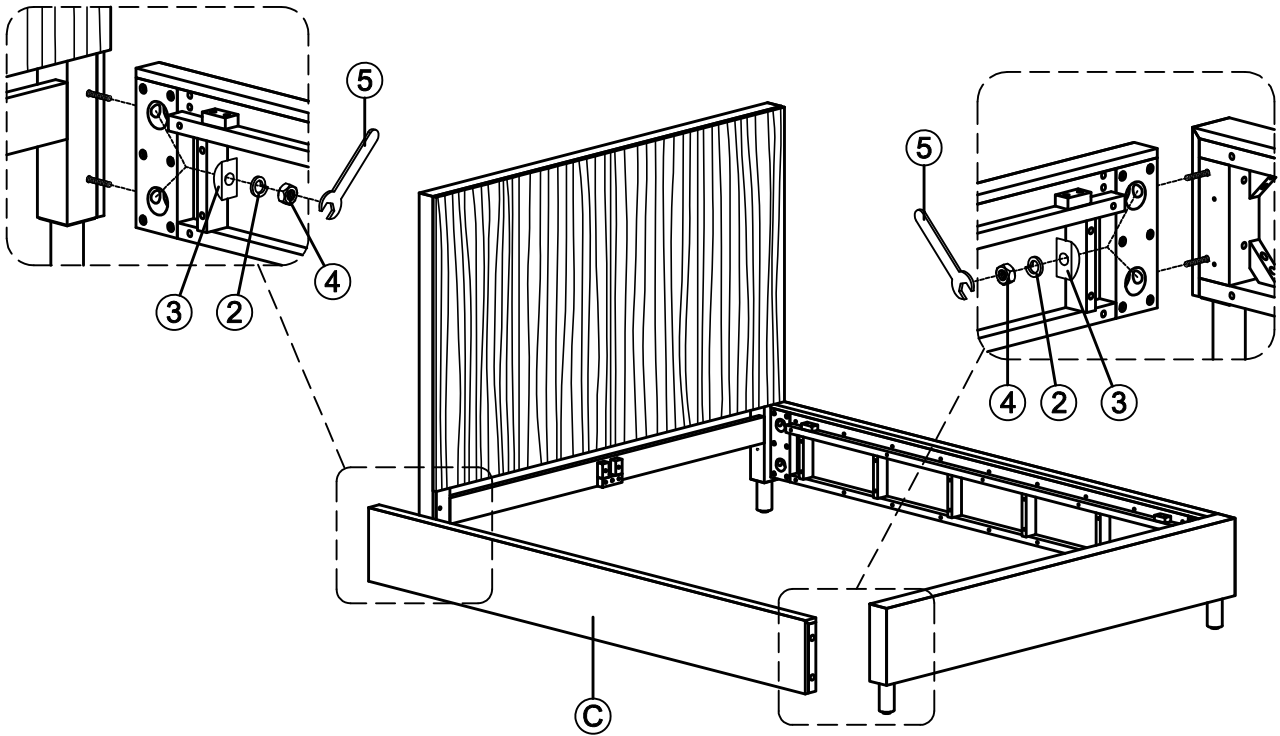
STEP #4:



ARGENTO CAL KING BED ASSEMBLY INSTRUCTIONS



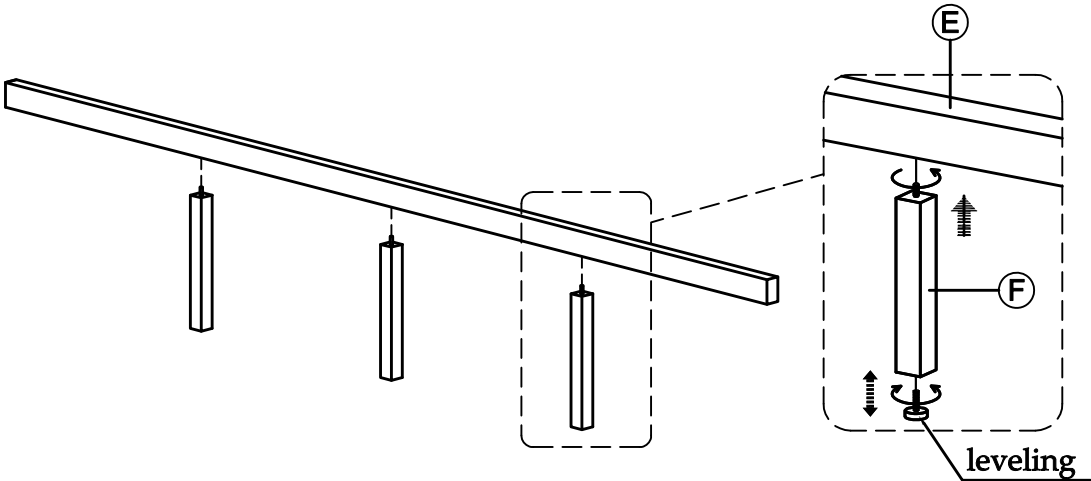
STEP #5:



STOP

- * IF USING BED FRAME WITH ADJUSTABLE MATTRESS BASE, SKIP TO APPENDIX A: ADJUSTABLE MATTRESS BASE ASSEMBLY SUPPLEMENT.
- * IF USING BED FRAME WITH STANDARD BOX SPRING OR FOUNDATION CONTINUE TO STEP 6.

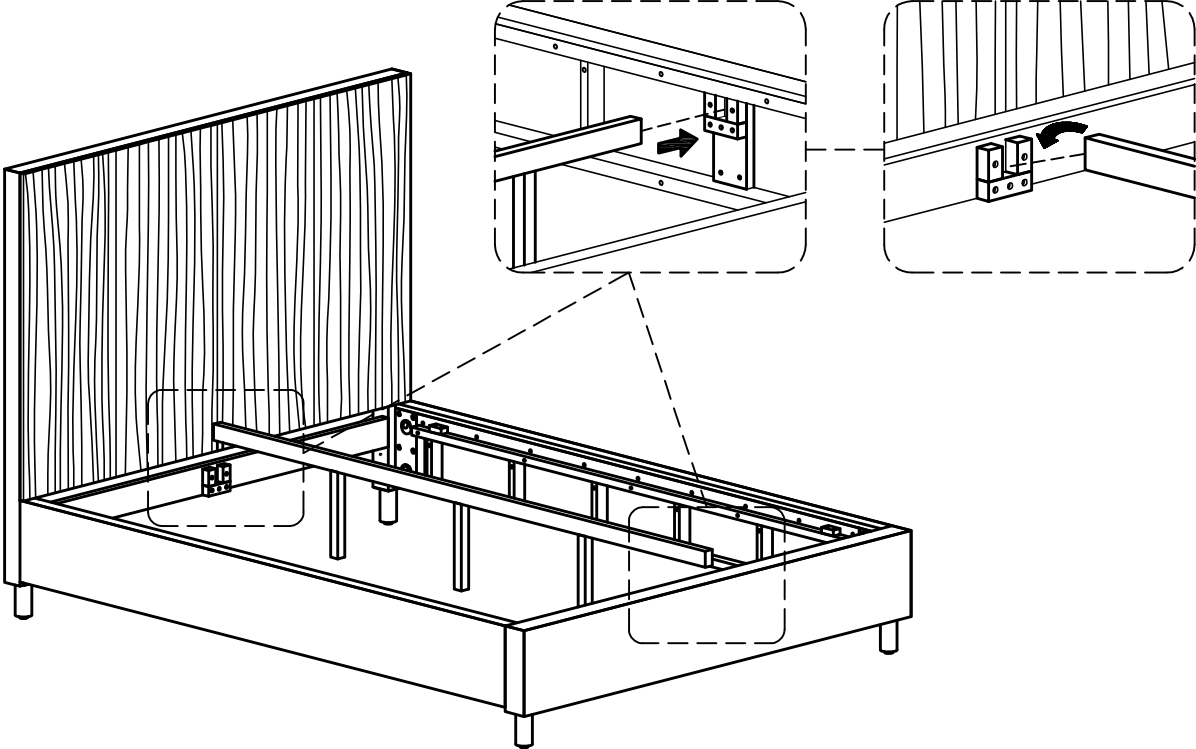
STEP #6:



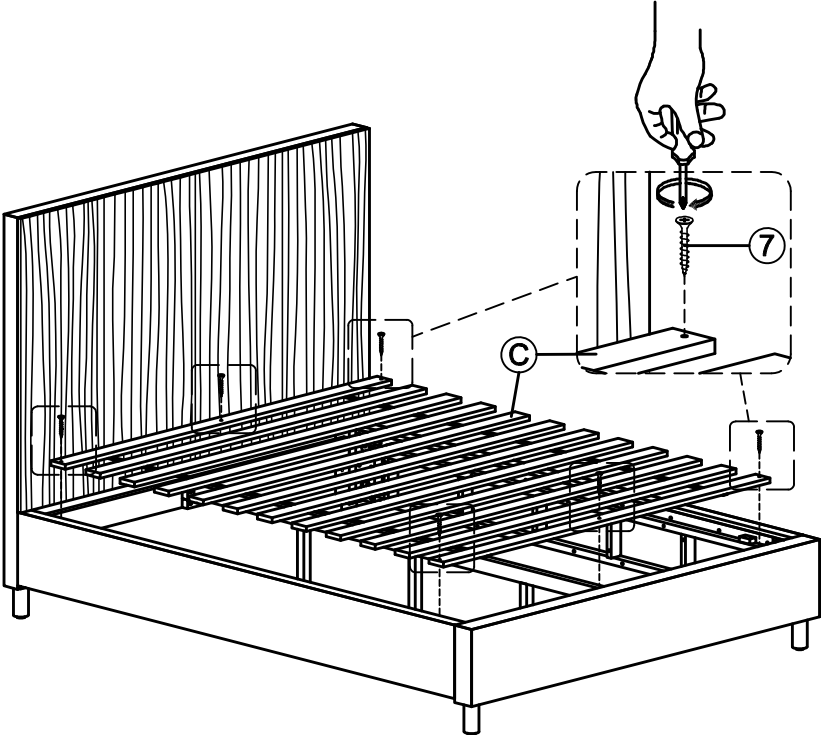
ARGENTO CAL KING BED ASSEMBLY INSTRUCTIONS



STEP #7:



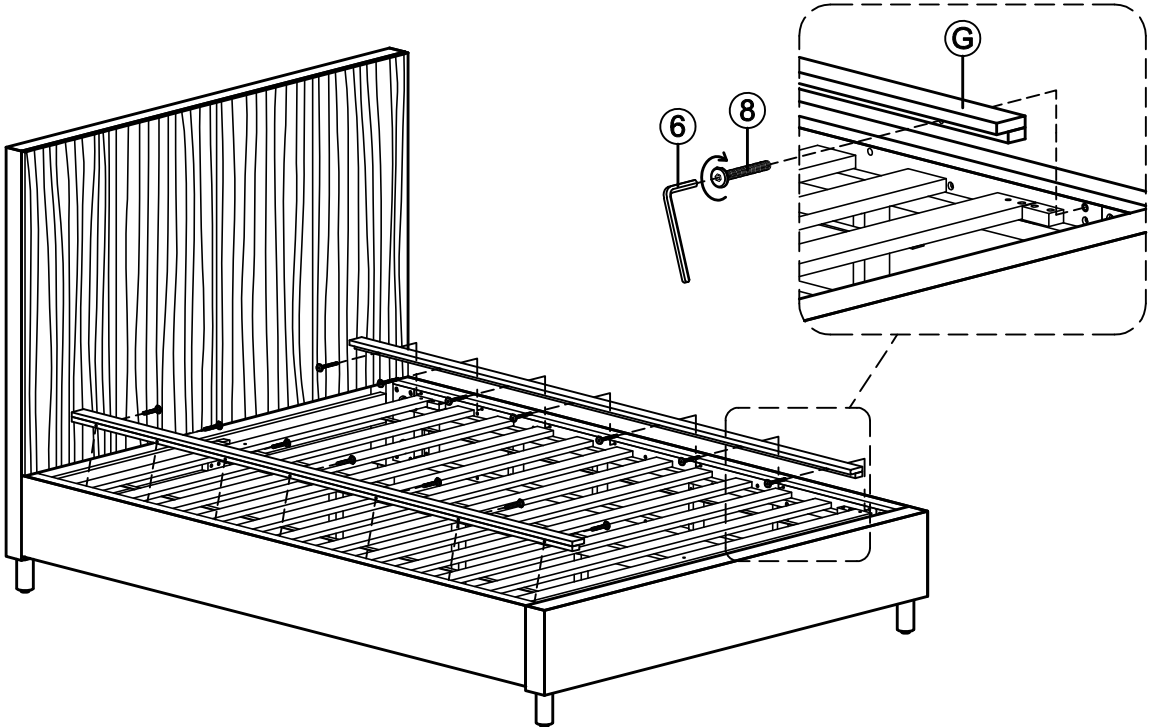
STEP #8:



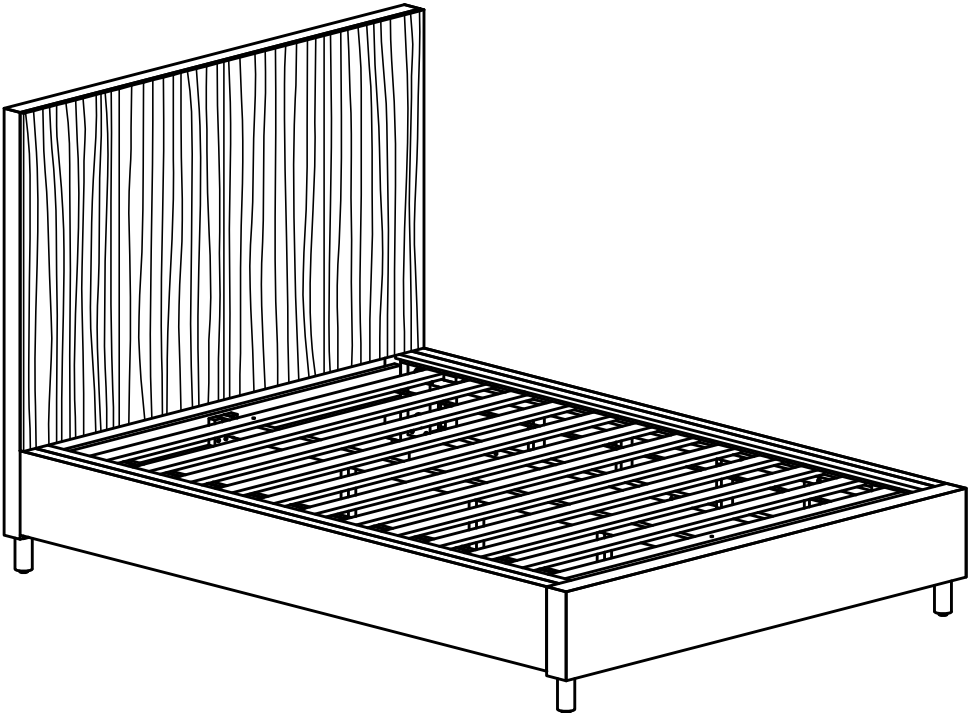
ARGENTO CAL KING BED ASSEMBLY INSTRUCTIONS



STEP #9:



ASSEMBLY COMPLETE.



ARGENTO CAL KING BED ASSEMBLY INSTRUCTIONS

APPENDIX A: ADJUSTABLE MATTRESS BASE ASSEMBLY SUPPLEMENT



AN ADJUSTABLE MATTRESS BASE IS A FREESTANDING MATTRESS SUPPORT THAT SITS WITHIN THE PERIMETER OF THE BED FRAME.
IF USING THIS BED FRAME WITH A STANDARD BOX SPRING OR FOUNDATION THESE INSTRUCTIONS DO NOT APPLY.

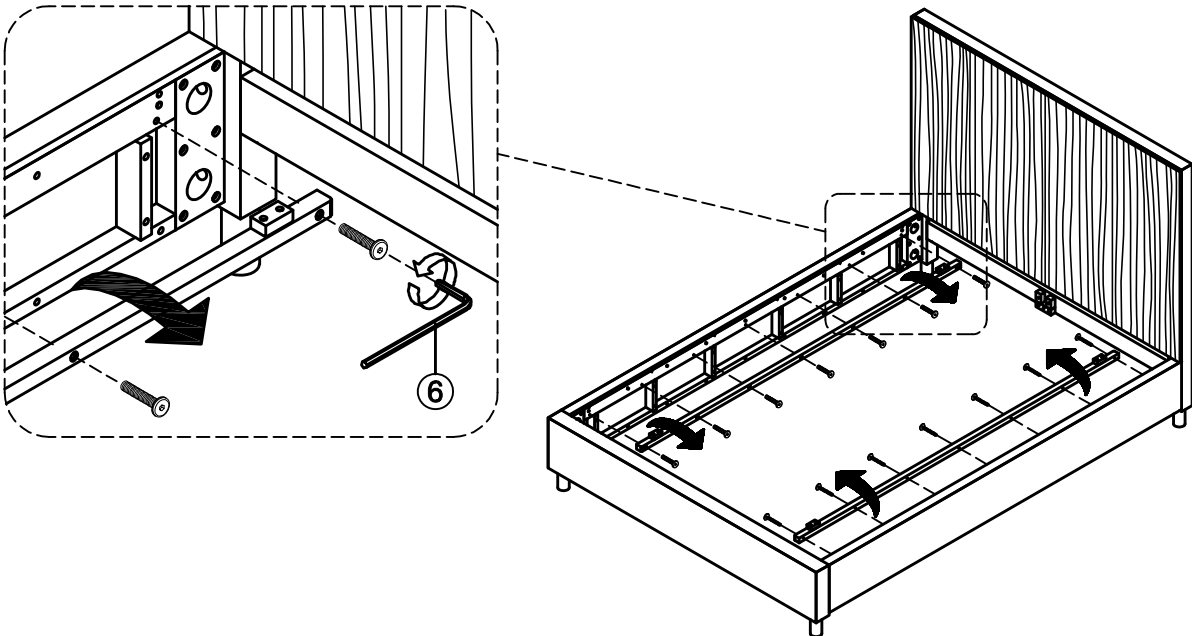
PRE-ASSEMBLED SIDE RAIL CLEATS OBSTRUCT ADJUSTABLE BASE INSTALLATION AND OPERATION. FOLLOW THESE INSTRUCTIONS TO REMOVE THEM.

THE FOLLOWING PARTS ARE NOT REQUIRED FOR ADJUSTABLE MATTRESS BASE INSTALLATION:

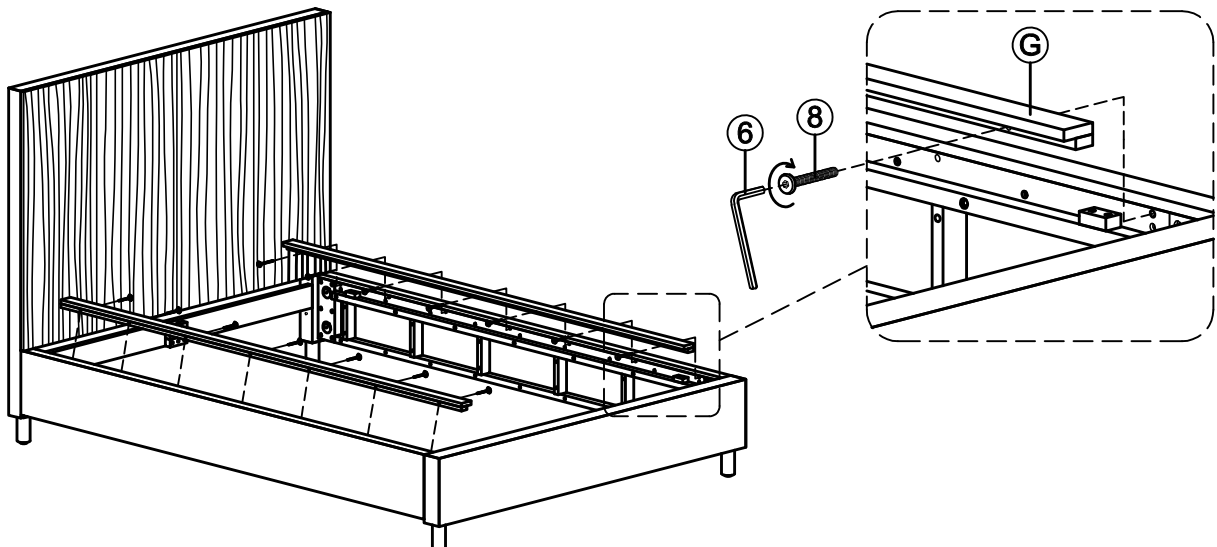
E. CENTER SLAT	1 PC	7. WOOD SCREW (M4x30mm)	6 PCS
F. SUPPORT LEG	3 PCS	* ALLEN BOLT (M6X40mm)	14PCS
C. SLAT ROLL	1 SET		

STEP #1:

USE ALLEN KEY (6) TO UNSCREW ALLEN BOLTS AND REMOVE PRE-ASSEMBLED SIDE RAIL CLEATS.



STEP #2:



NOTE: YOU MAY WISH TO RETAIN UNUSED PARTS IF IN THE FUTURE YOU INTEND TO USE THE BED FRAME WITH A STANDARD BOX SPRING OR FOUNDATION.