

Universal Connectors

The universal connectors should be positioned on the units in a way that will allow the two sectional pieces to be connected. If the connecting end is on the left side facing of the unit, the connector will be positioned in the “Up Position”. If the connecting end is on the right side facing of the unit, the connector will be positioned in the “Down Position”.

Connector PN: **74843**
2 Bolts $\frac{1}{4}$ -20 x $\frac{3}{4}$ inch PN: **73507**

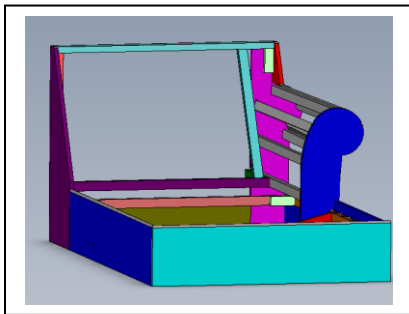
Up Position



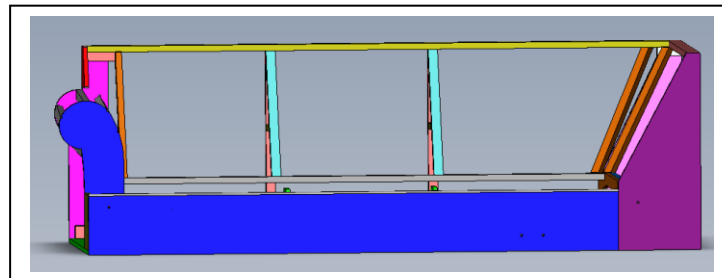
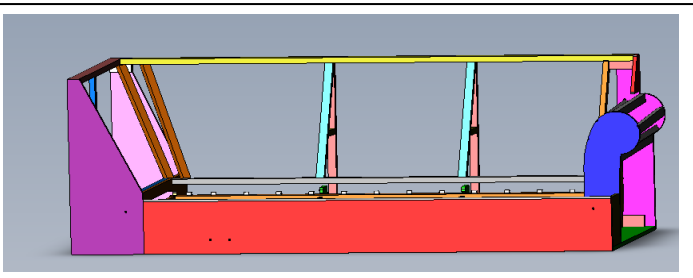
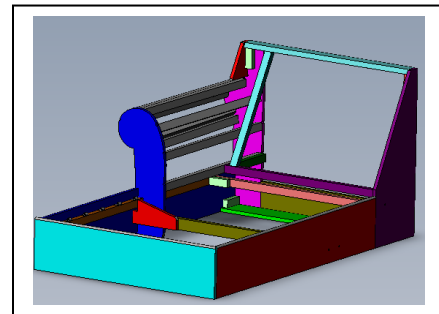
Down Position



Open end left side facing



Open end right side facing



HOW TO INSTALL TRIANGULAR FEET ON A SOFA

MAKE SURE AREA IS CLEAR OF
OBSTICLES BEFORE ROLLING
THE UNIT OVER .

FLIP UNIT OVER FORWARD
EXPOSING THE BOTTOM OF
THE UNIT .

GET THE LEGS AND
SCREWS OUT OF THE
BAG THEY COME IN .



LINE UP THE FEET SO
THEY ARE IN THE
CORNER WITH THE
SPACE FROM THE
EDGES BEING THE
SAME



PUT THE SCREWS IN
THE HOLES IN THE
FEET . USE A PHILLIPS
SCREWDRIVER , OR
DRILL TO TURN THE
SCREWS INTO THE
WOOD FRAMING
UNTIL THE SCREWS
are TIGHT .

