




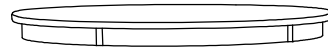
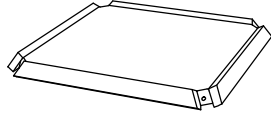
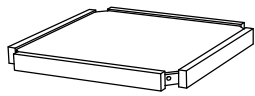
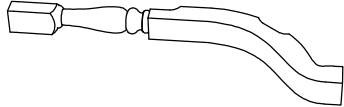


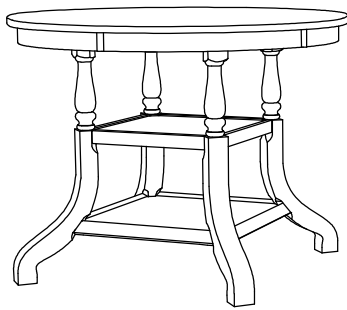
ASSEMBLY INSTRUCTIONS

ITEM NO.: D2541-12 BIXBY COUNTER DINING TABLE

Thank you for purchasing this quality product. Be sure to check all packing materials carefully for small parts, which may have come loose inside the carton during shipment. Identify and count all parts and compare with the part list below.

HARDWARE LIST			
NO.	DRAWING	DESCRIPTION	QTY
A		Flat Washer 5/16"	16 pcs
B		Spring Washer 5/16"	16 pcs
C		Allen Bolt 5/16" x 3"	16 pcs
D		Allen Key	1 pc
E		Leveler	4 pcs

PART LIST	
<p>1</p>  <p style="text-align: center;">Table Top (1 pc)</p>	<p>3</p>  <p style="text-align: center;">Lower Shelf (1 pc)</p>
<p>2</p>  <p style="text-align: center;">Upper Shelf (1 pc)</p>	<p>4</p>  <p style="text-align: center;">Table Leg (4 pcs)</p>



STEP 1

Attach the Upper Shelf (2) to the Table Leg (4) by using Flat Washer (A), Spring Washer (B), Allen Bolt (C), and tighten using Allen Key (D).

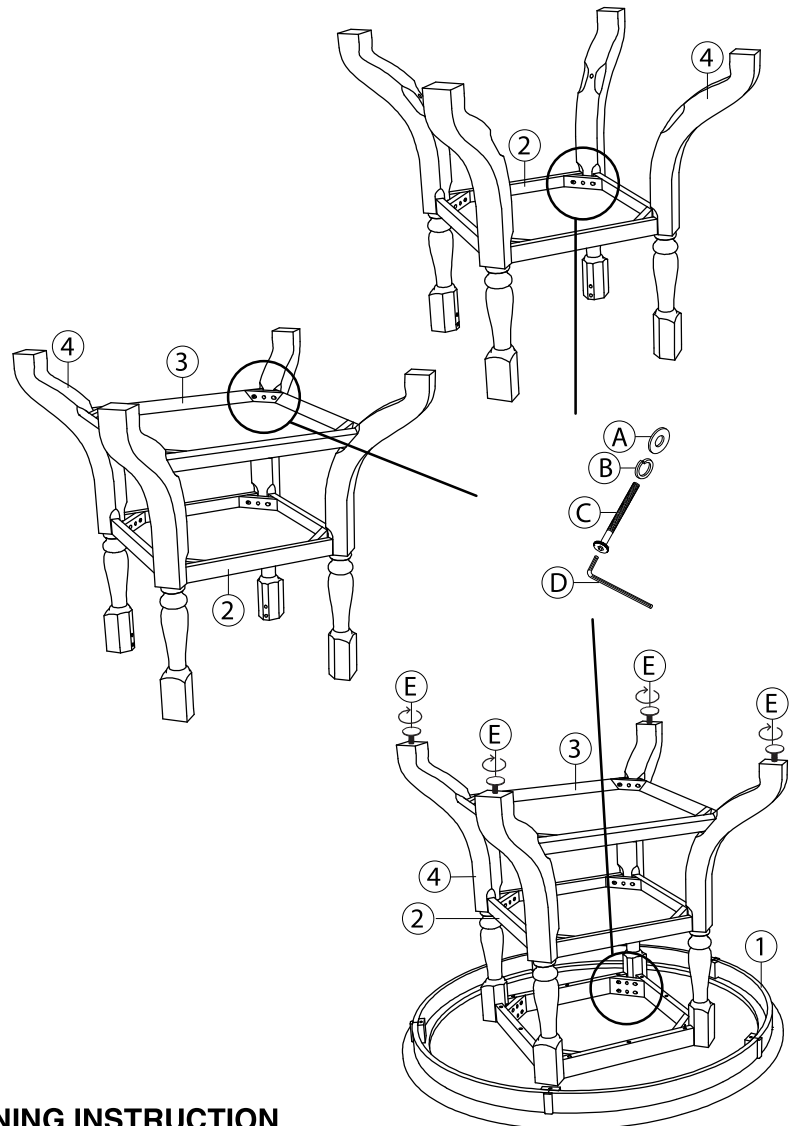
STEP 2

Attach the Lower Shelf (3) to the Table Leg (4) by using Flat Washer (A), Spring Washer (B), Allen Bolt (C), and tighten using Allen Key (D).

STEP 3

Attach the Table Leg (4) to the Table Top (1) by using Flat Washer (A), Spring Washer (B), Allen Bolt (C), and tighten using Allen Key (D). Attach Leveler (E) into the pre-drilled holes on the bottom of the Table Leg (4).

Turn the table upright.
Assembly is now completed.



CLEANING INSTRUCTION

Clean the surface with a furniture polish and a soft cloth