



LIVING SPACES

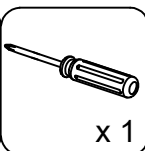
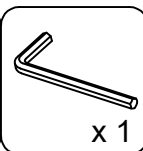
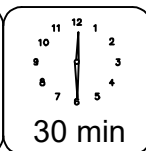
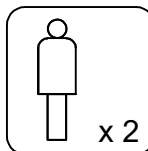
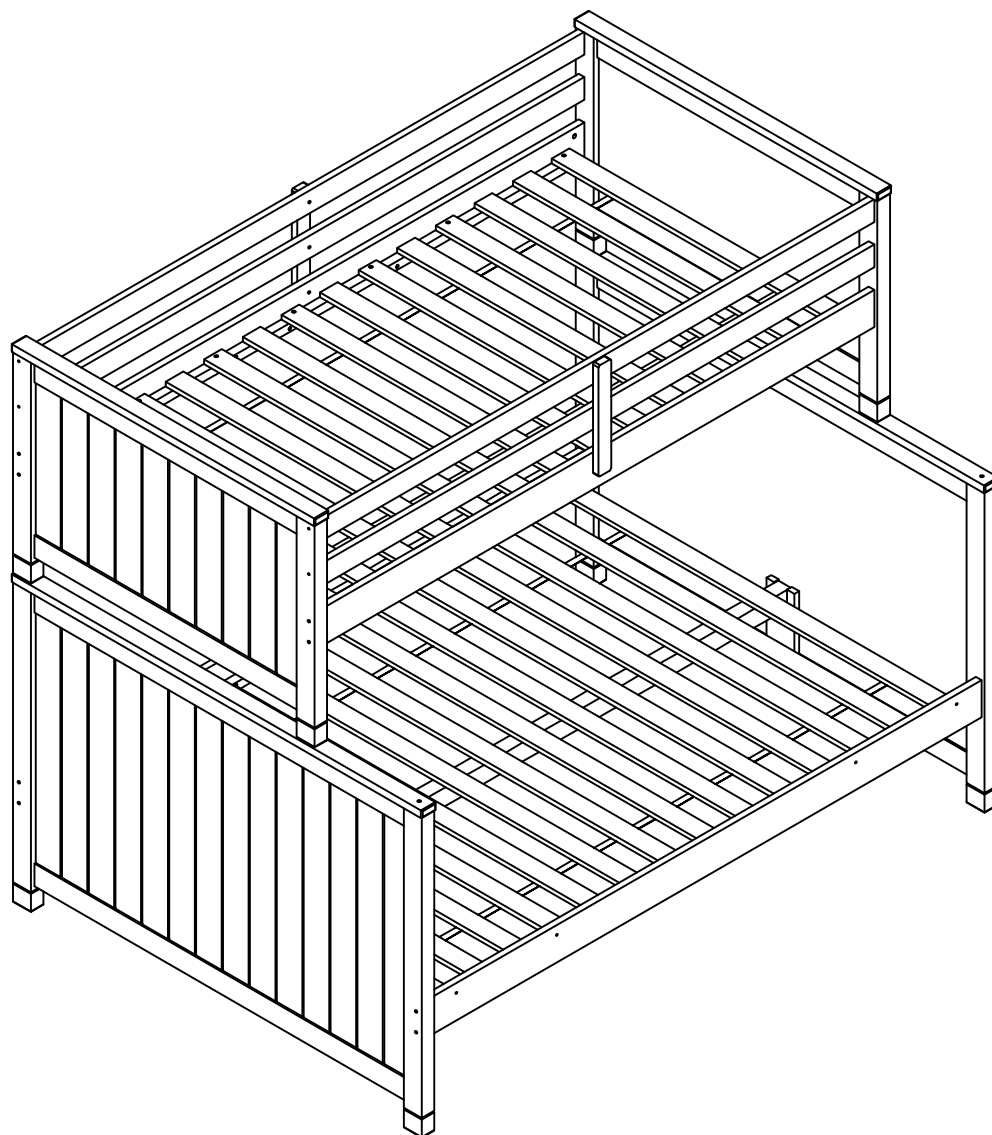
# ASSEMBLY INSTRUCTIONS

## LUCA TWIN-FULL BUNK BED

ITEM NO: Y2103W-340/343/344 SKU:314663/314666/314667

Y2103B-340/343/344 314575/314578/314579

Y2103G-340/343/344 314619/314622/314623



# **PLEASE TAKE TIME TO READ ALL INSTRUCTIONS AND WARNINGS BEFORE BEGINNING ASSEMBLY!**

## **SAFETY WARNING**

Our Bunk Beds have been tested by an Independent Laboratory and are certified to be in compliance with:

ASTM F-1427, "Standard Consumer Safety Specification for Bunk Beds" and U.S. Government specifications 16 Code of Federal Regulations, parts 1213 and 1513.

## **SAFETY WARNINGS**

1. Follow the information on the warnings attached to the upper bunk end structure and on the carton. Do not remove this label.
2. Always use the recommended size mattress or mattress support, or both, to help prevent the likelihood of entrapment or falls.
3. Top surface of mattress must be at least **five inches** (127mm) below the upper edge of top guard rails.
4. Do not allow children less than six years of age to use the upper bunk.
5. Periodically, check and ensure that the guardrail, ladder and other components are in their proper position, free from damage and that all connectors are tight.
6. Do not allow horseplay on or under the bed and prohibit jumping on the bed and ladder.
7. Prohibit more than one person on upper bunk.
8. Always use the ladder or Stairway Chest for entering and leaving the upper bunk (as page 3).
9. Do not use substitute parts. Contact Living Spaces for replacement parts.
10. Use of a night-light may provide added safety precautions for a child using the upper Bunk.
11. If the bunk bed will be placed next to a wall, the guardrail that runs the full length of the bed should be placed against the wall to prevent entrapment between the bed and the wall. (This applies only to bunk beds without two full-length guardrails.)
12. Always use guardrails on both long sides of the upper bunk.
13. The use of water or sleep flotation mattress is expressly prohibited.
14. Keep these instructions for future reference.

## **STRANGULATION HAZARD**

15. Never attach or hang items to any part of the bunk bed that are not designed for use with the bed for example, but not limited to hooks, belts and jump ropes.

## **SIZE OF MATTRESS AND FOUNDATION**

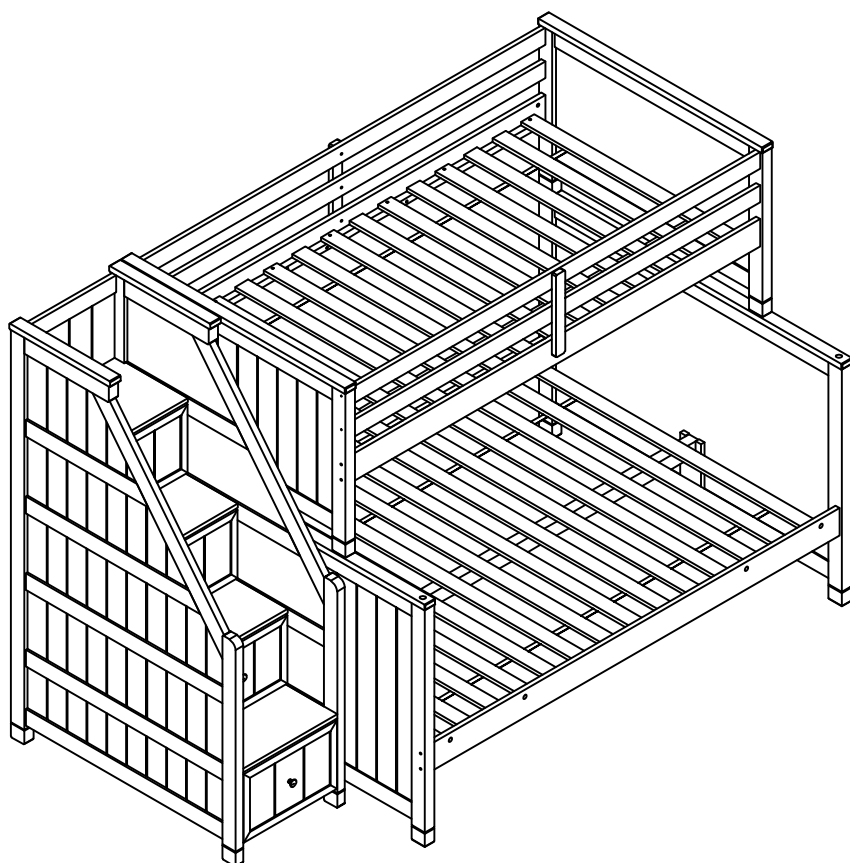
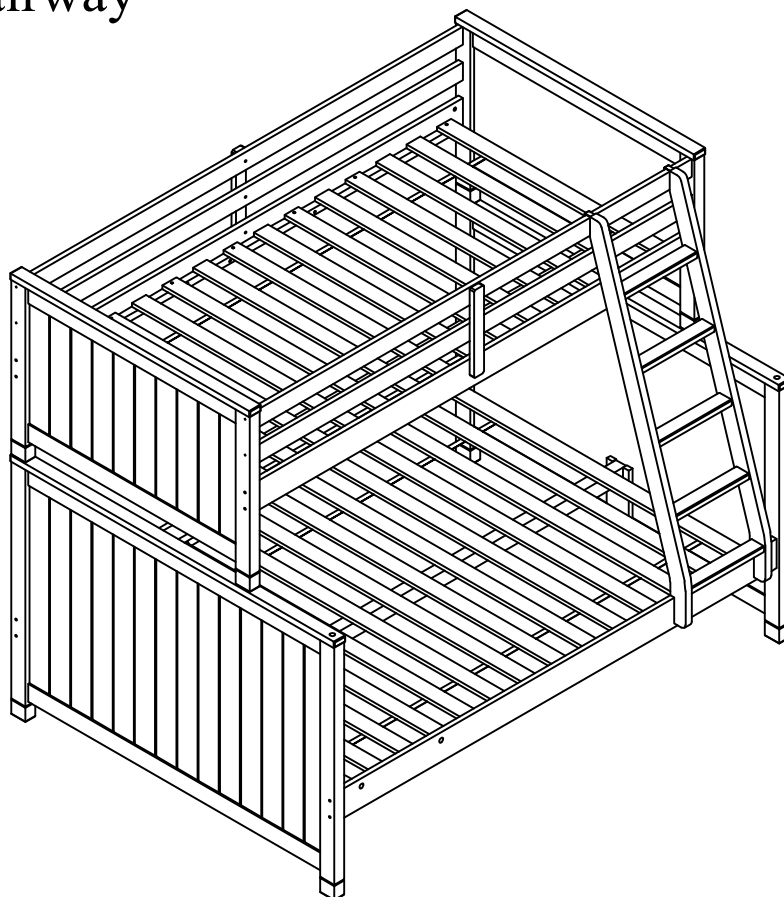
- Use only mattress which is 75" long and 37.5-38.5" wide on upper bunk of Twin bed.
- Use only mattress which is 75" long and 53-53.5" wide on lower bunk of Full bed.
- Ensure thickness of mattress does not exceed 6" and mattress is at least 5" below upper edge of guardrails.
- Ensure thickness of mattress does not exceed 6" for lower bunk.

## **REPLACEMENT PARTS**

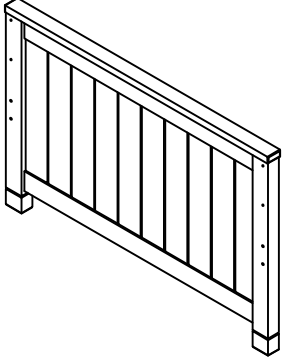
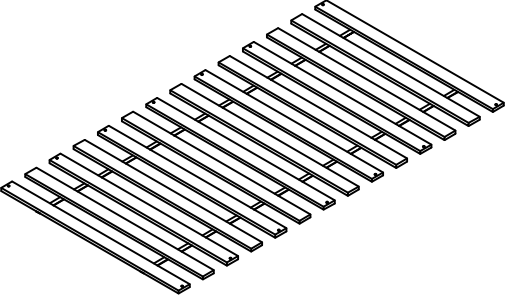
Replacement parts, including additional guardrails, may be requested from Living Spaces, usually at a cost.

KEEP ALL INSTRUCTIONS INCLUDED WITH YOUR  
BEDROOM COMPONENTS FOR FUTURE REFERENCE.

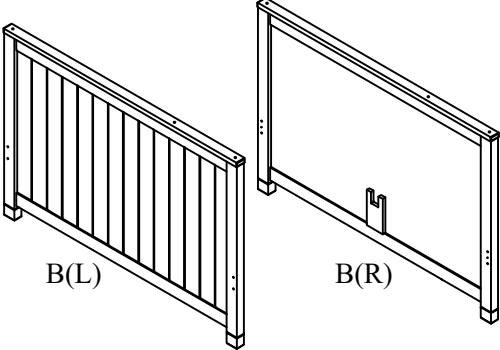
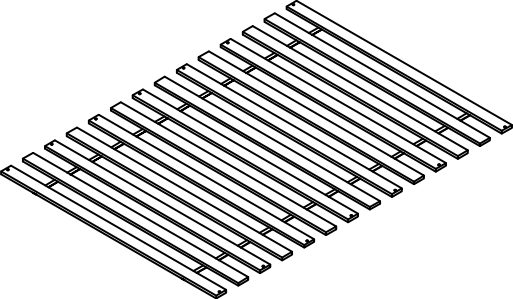
Always use the ladder or Stairway Chest for entering and leaving the upper bunk.  
You will buy ladder/Stairway as options.



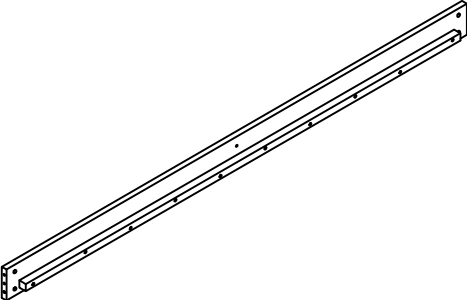
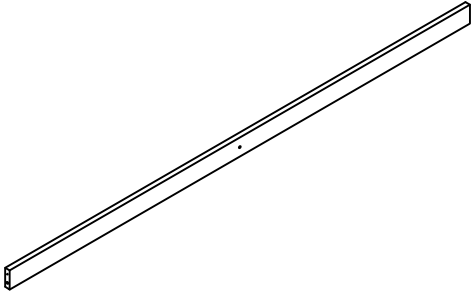

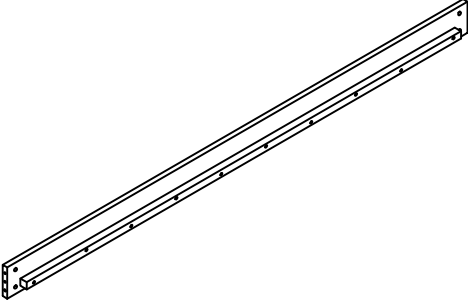
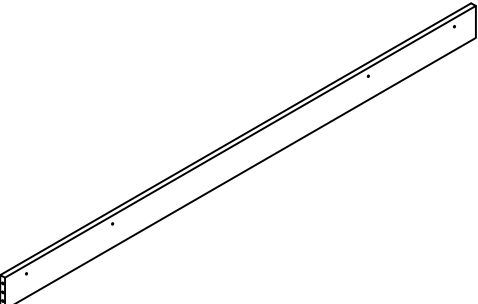
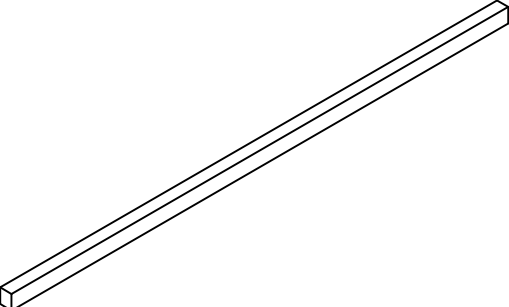
## BOX 1-TW /TW + TW /FL UPPER ENDS/SLATS BUNK BED

PART	SKU#	IMAGE	DESCRIPTION	QTY
<p style="text-align: center;">(A)</p>	<p>1987TF-A-W: (White) 1987TF-A-B: (Blue) 1987TF-A-G: (Grey)</p>		<p style="text-align: center;"><b>Upper Ends</b></p>	<p style="text-align: center;"><b>2</b></p>
<p style="text-align: center;">(J)</p>	<p style="text-align: center;">1987TF-J</p>		<p style="text-align: center;"><b>Upper Slats</b></p>	<p style="text-align: center;"><b>1</b></p>



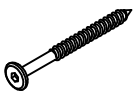





## BOX 2-TW /FL + FL/FL LOWER ENDS/SLATS BUNK BED

PART	SKU#	IMAGE	DESCRIPTION	QTY
<p style="text-align: center;">(B)</p>	<p>1987TF-B-W:(White) 1987TF-B-B:(Blue) 1987TF-B-G:(Grey)</p>	 <p style="text-align: center;">B(L)                      B(R)</p>	<p style="text-align: center;"><b>Lower Ends</b></p>	<p style="text-align: center;"><b>2</b></p>
<p style="text-align: center;">(I)</p>	<p style="text-align: center;">1987TF-I</p>		<p style="text-align: center;"><b>Lower Slats</b></p>	<p style="text-align: center;"><b>1</b></p>

**BOX 3-TW /FL SIDE/GUARD RAILS/SLAT SUPPORT BUNK BED**

PART	SKU#	IMAGE	DESCRIPTION	QTY
C	1987TF-C-W:(White) 1987TF-C-B:(Blue) 1987TF-C-G:(Grey)		Upper Rails	2
D	1987TF-D-W:(White) 1987TF-D-B:(Blue) 1987TF-D-G:(Grey)		Guard rails	4
E	1987TF-E-W:(White) 1987TF-E-B:(Blue) 1987TF-E-G:(Grey)		Guard rail supports	2
F	1987TF-F-W:(White) 1987TF-F-B:(Blue) 1987TF-F-G:(Grey)		Lower back rail	1
G	1987TF-G-W:(White) 1987TF-G-B:(Blue) 1987TF-G-G:(Grey)		Lower Front Rail	1
H	1987TF-H		Slat support	1

## Hardware List of Luca Twin-Full Bunk Bed

Part	SKU#	IMAGE	DESCRIPTION	QTY
①	1987TF-1(16)		Bolt and nut M8*90mm	16
②	1987TF-2(6)		Bolts M8*35mm	6
③	1987TF-3(8)		Screws Ø6.5*83mm	8
④	1987TF-4(16)		Dowel Ø8*40mm	16
⑤	1987TF-5(28)		Screws 8#*30mm	28
⑥	1987TF-6(4)		Metal dowel Ø10*100mm	4
⑦	1987TF-7(1)		Allen key 60*22*4mm	1
⑧	1987TF-8(4)		Sticker	6

***Note: Screwdriver will be prepared by yourself.***

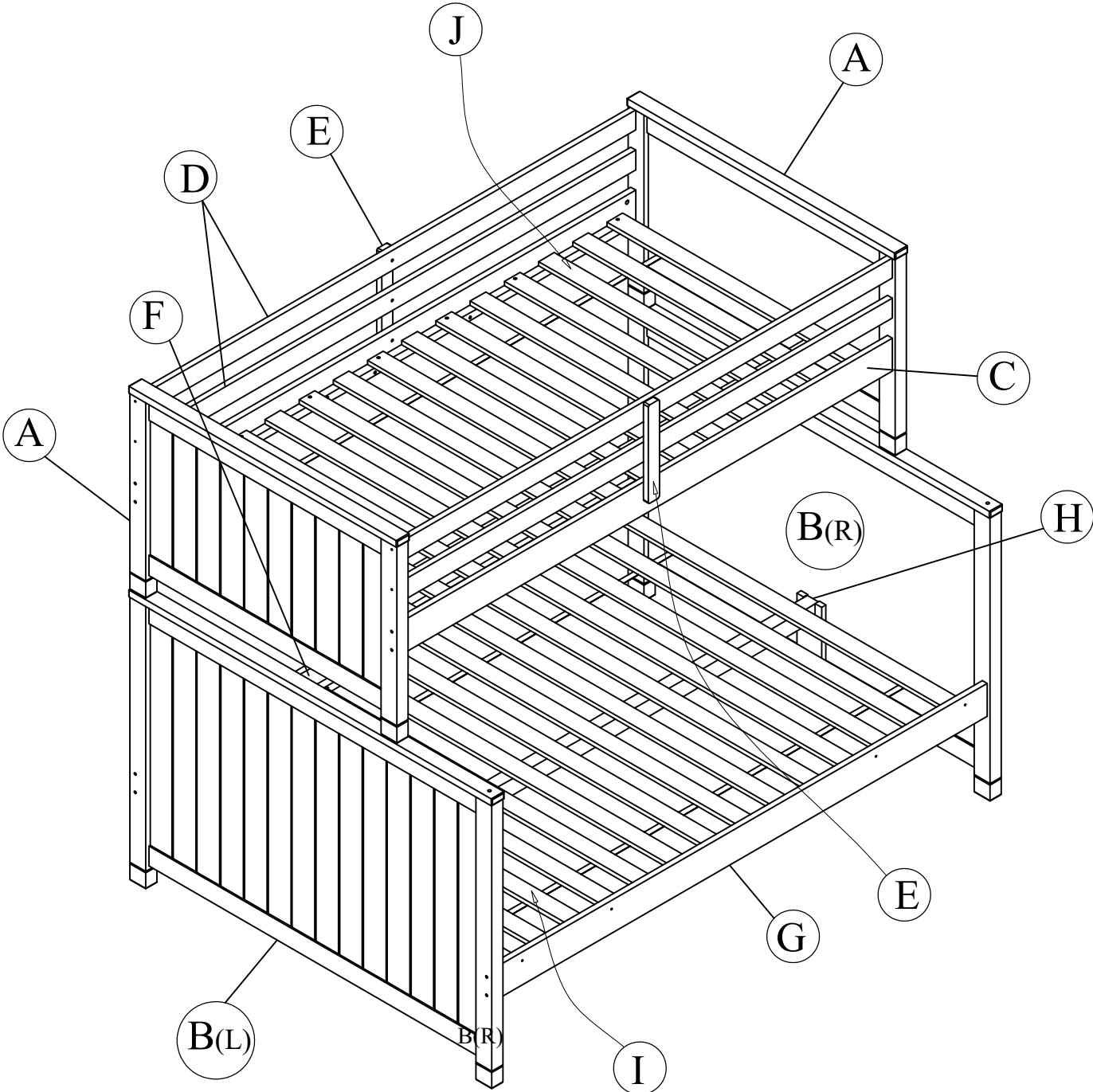
THE HARDWARE IS LOCATED IN THE PACKING ITEM

**NOTE: MUST TIGHTEN SCREWS PERIODIACLLY. WITH USE SCREW MAY ENCOME LOOSE CHECK TIGHTNESS OF ALL SCREWS EVERY 6-8 WEEKS.**

### CLEANING INSTRUCTIONS:

After assembly, clean and polish the completed parts if necessary with soft cloth and industrial recognized furniture polish.

Detail view



**STEP 1:**

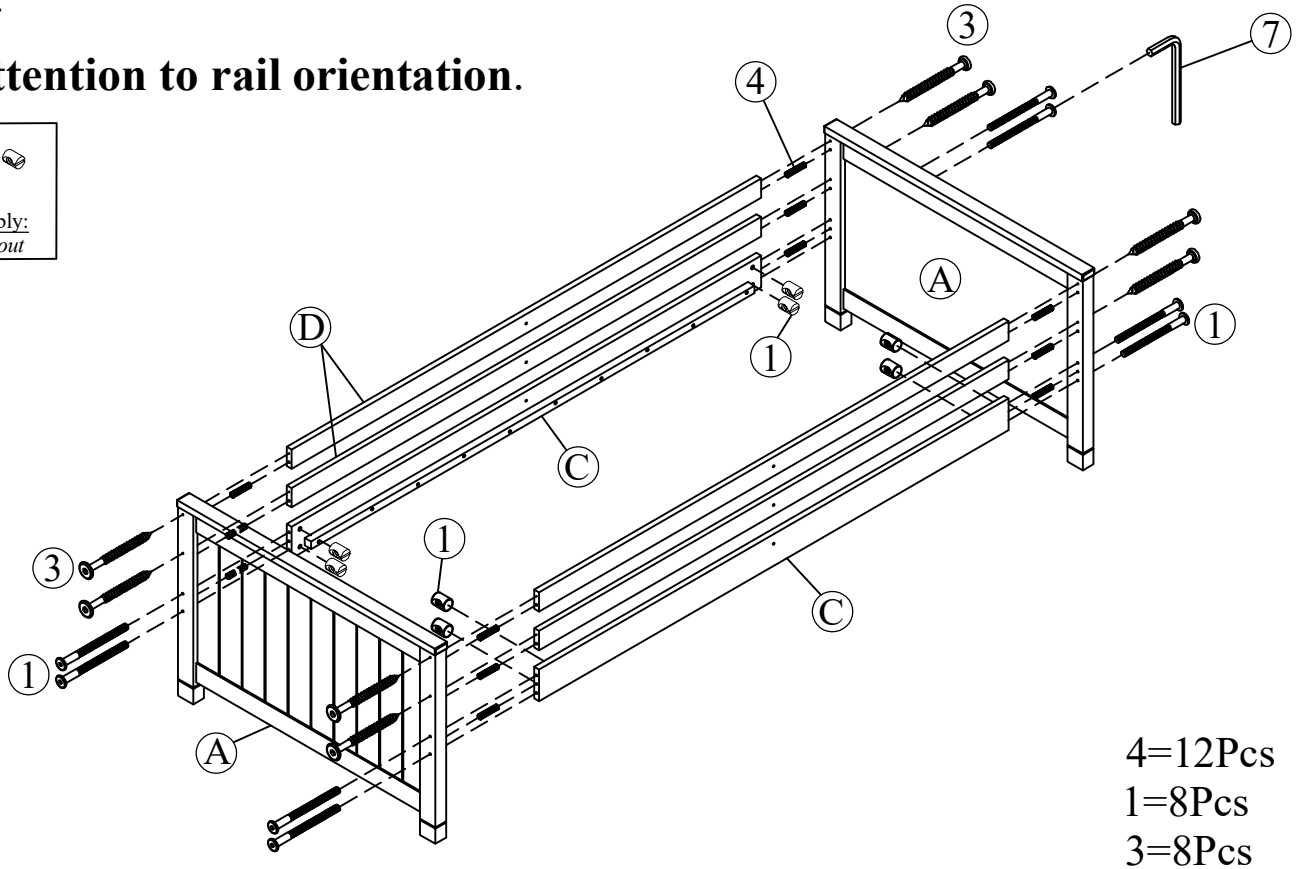
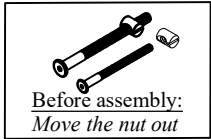
\* Assembly Rail (C):

Please locate two rails (C) to Ends (A) by Dowel (4) firstly, and then fasten gradually by Bolt+nut (1) BUT NO TIGHTEN.

\* Assembly Guard Rail (D):

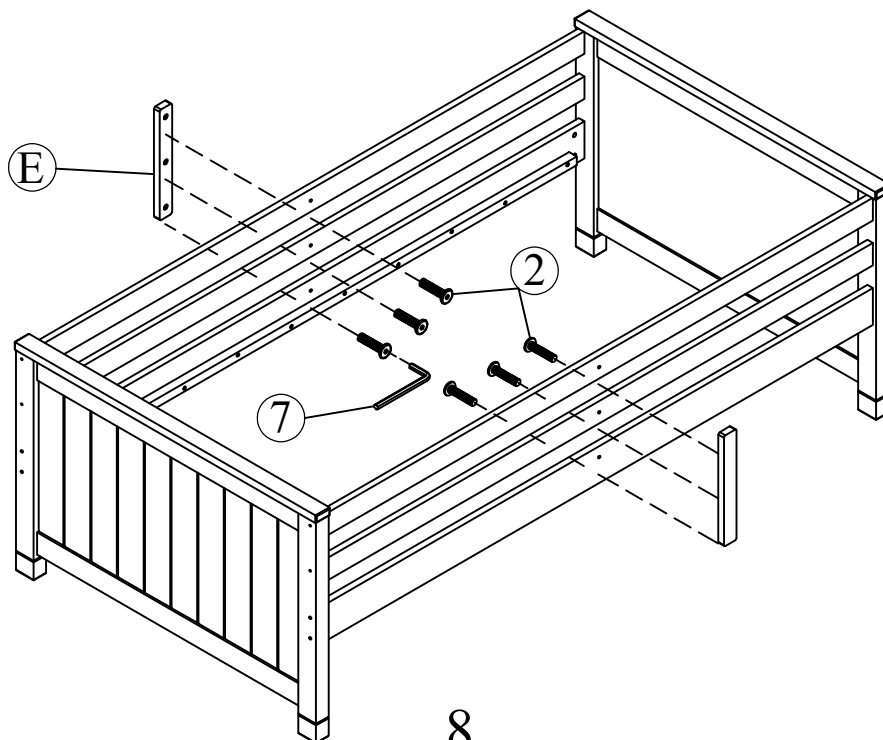
Please locate Guard rails (D) to Ends (A) by Dowel (4) firstly, and then fasten gradually by Bolt (3).

**⚠ Pay attention to rail orientation.**



**STEP 2:**

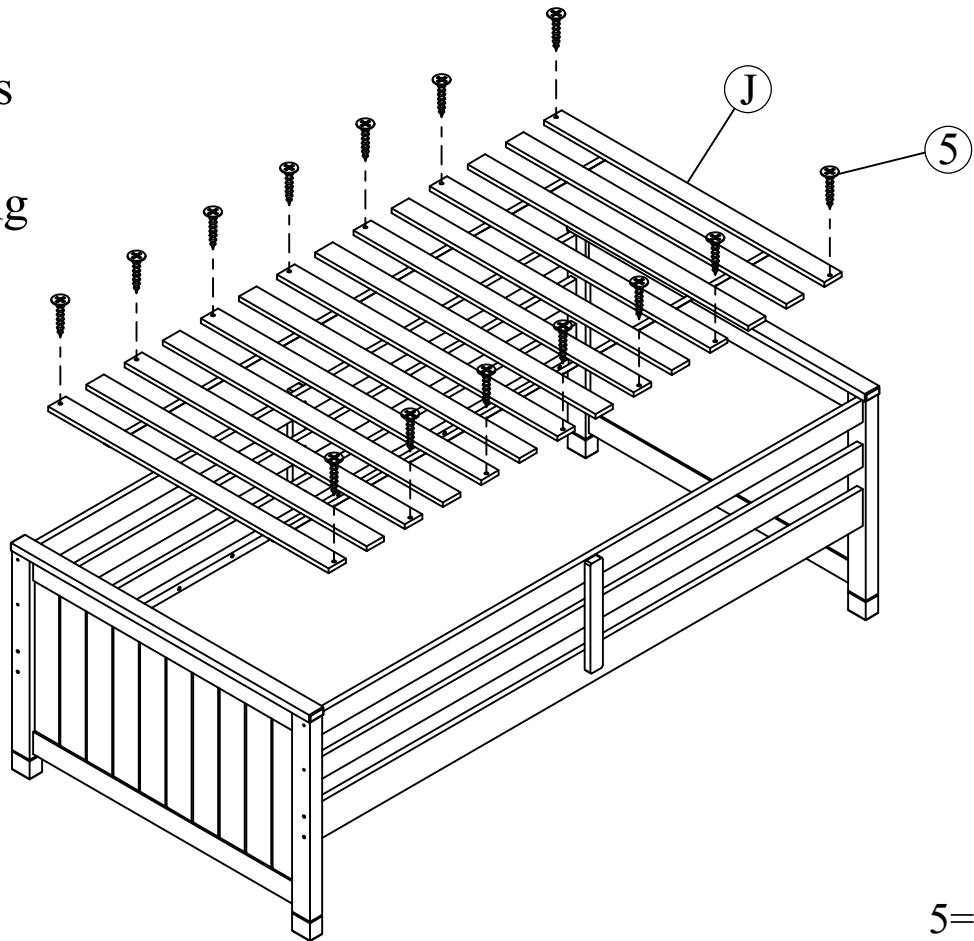
Assemble the Guard Rail Supports (E) to Upper bed frame by Bolt (2).





### STEP 3:

Please fasten slats (J) by screw (5) into corresponding holes.



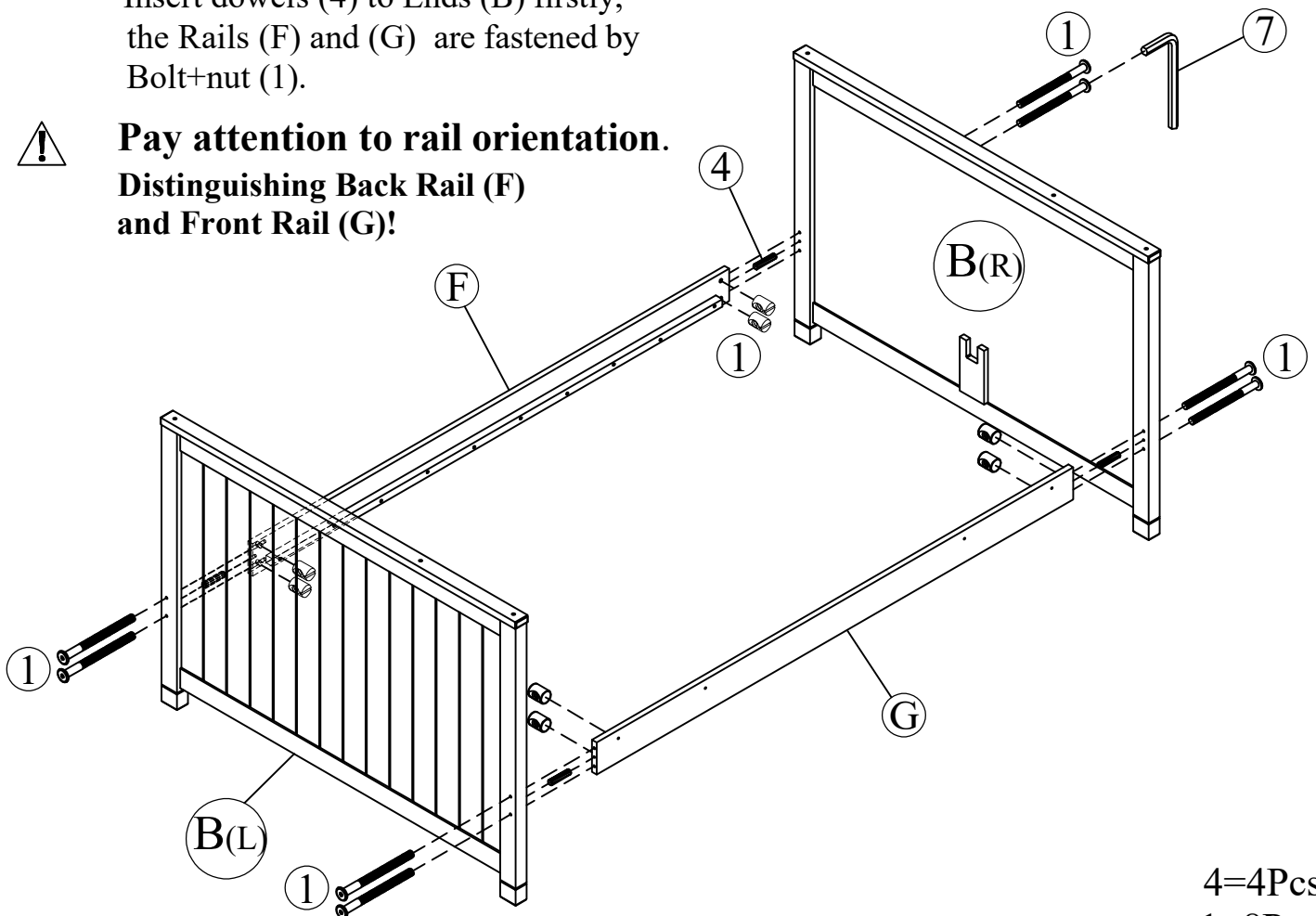
5=14Pcs

### STEP 4:

Insert dowels (4) to Ends (B) firstly, the Rails (F) and (G) are fastened by Bolt+nut (1).



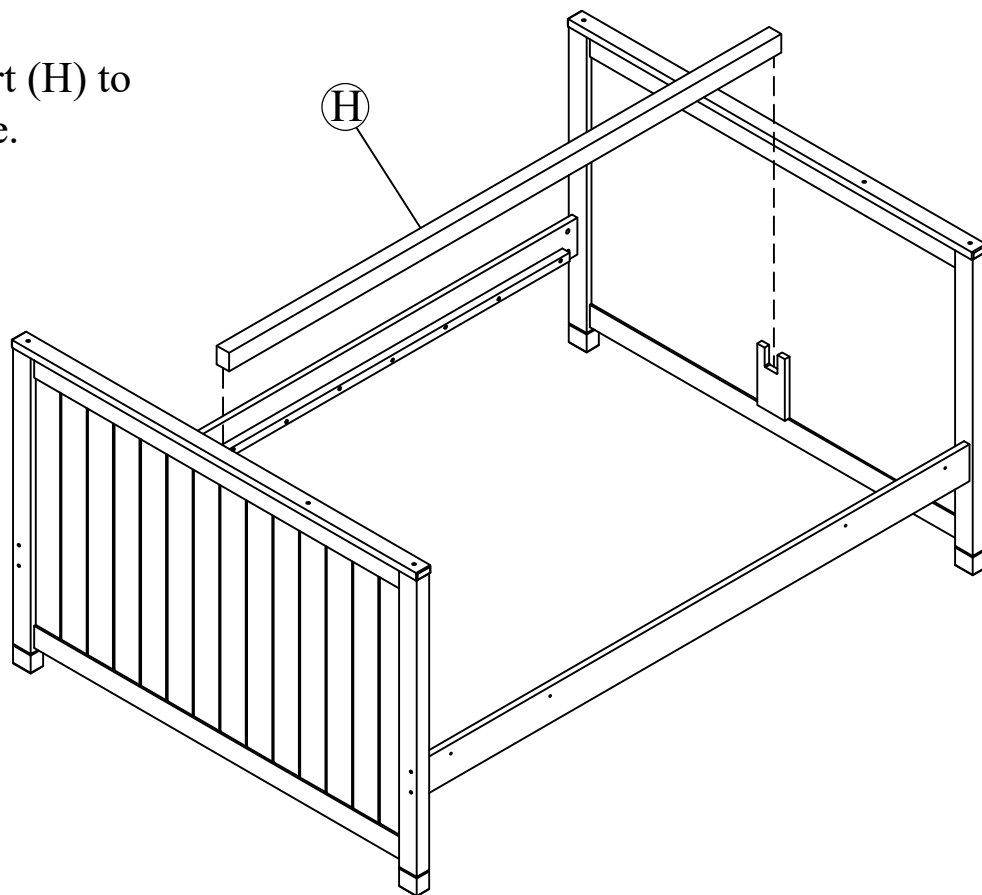
**Pay attention to rail orientation.  
Distinguishing Back Rail (F)  
and Front Rail (G)!**



4=4Pcs  
1=8Pcs

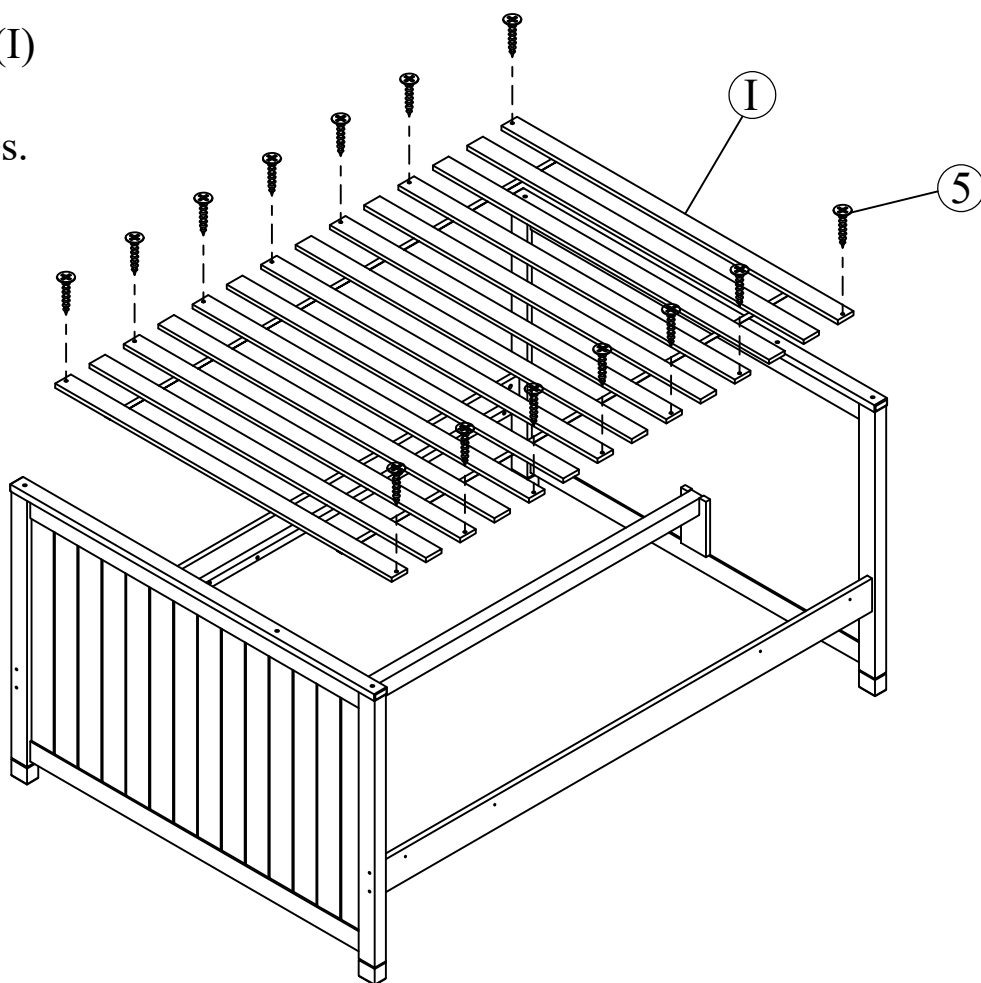
## STEP 5:

Place the slat support (H) to the Lower bed frame.



## STEP 6:

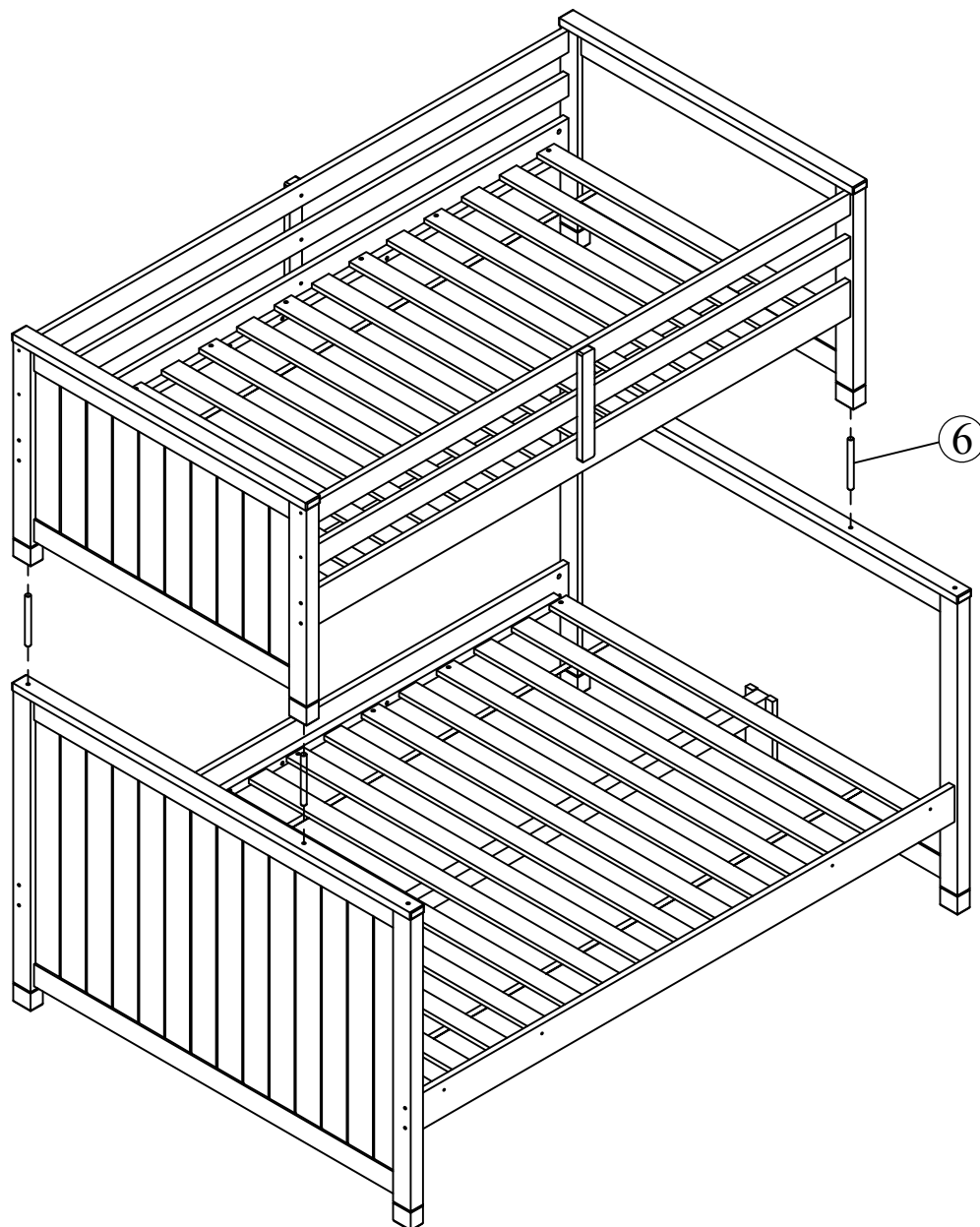
Please fasten slats (I) by screw (5) into corresponding holes.



5=14Pcs

**STEP 7:**

Assemble the upper  
bunk to lower bunk by  
Metal dowel (6).

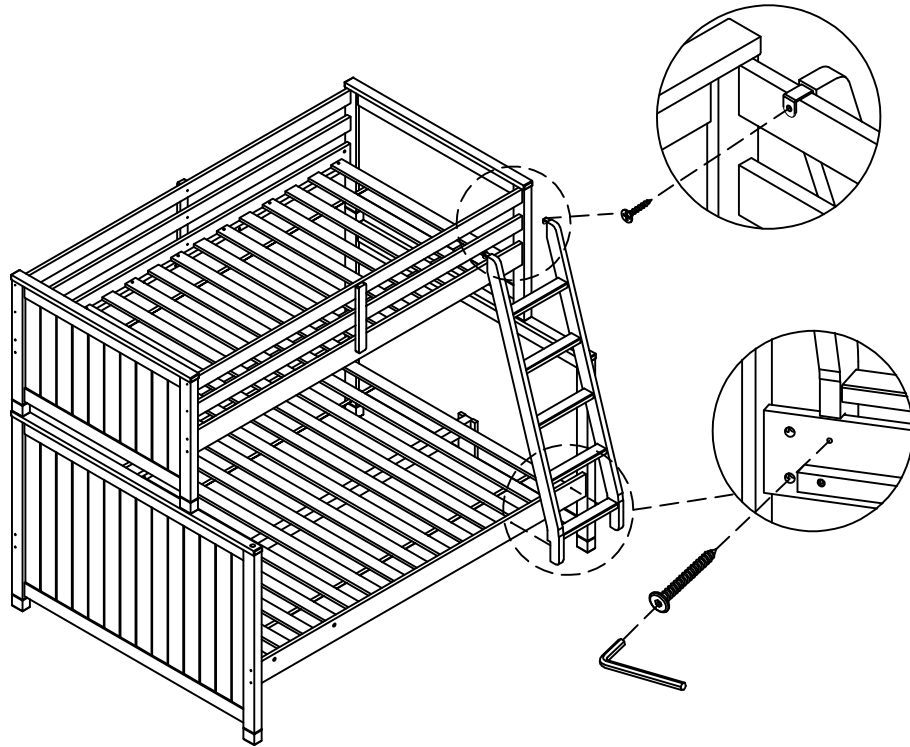


6=4Pcs

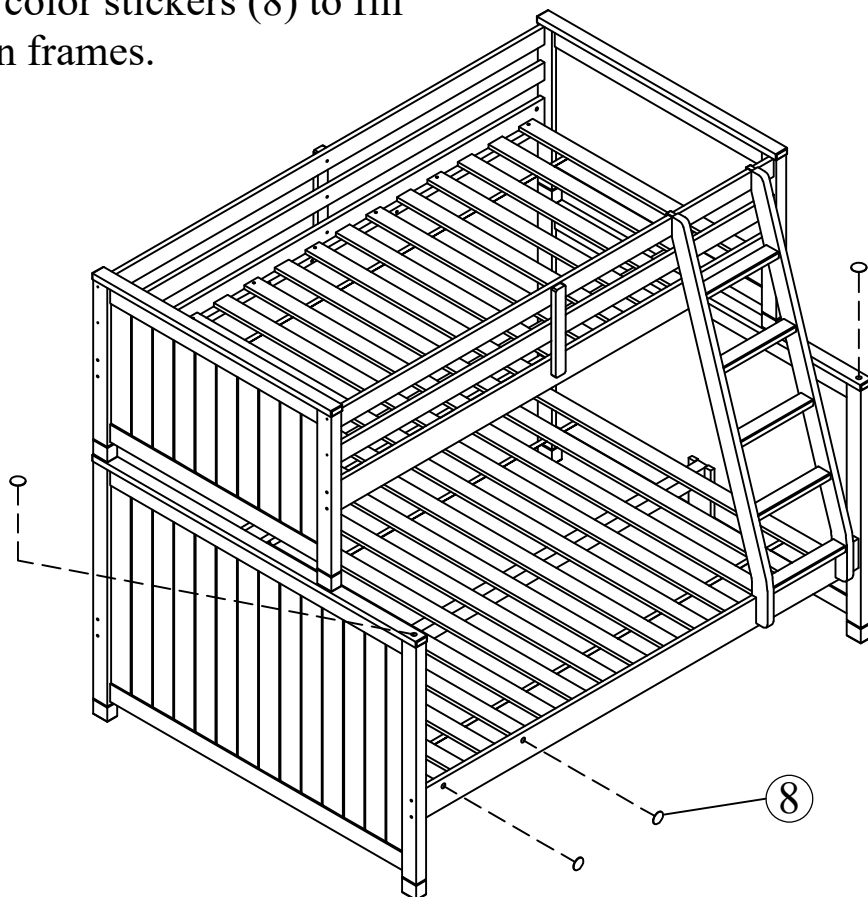
# Combining with Ladder ( Option 1 )

Attaching the ladder to Guard rail  
by Screw and to Lower

Side Rail by bolt (these hardware are included in Ladder box).



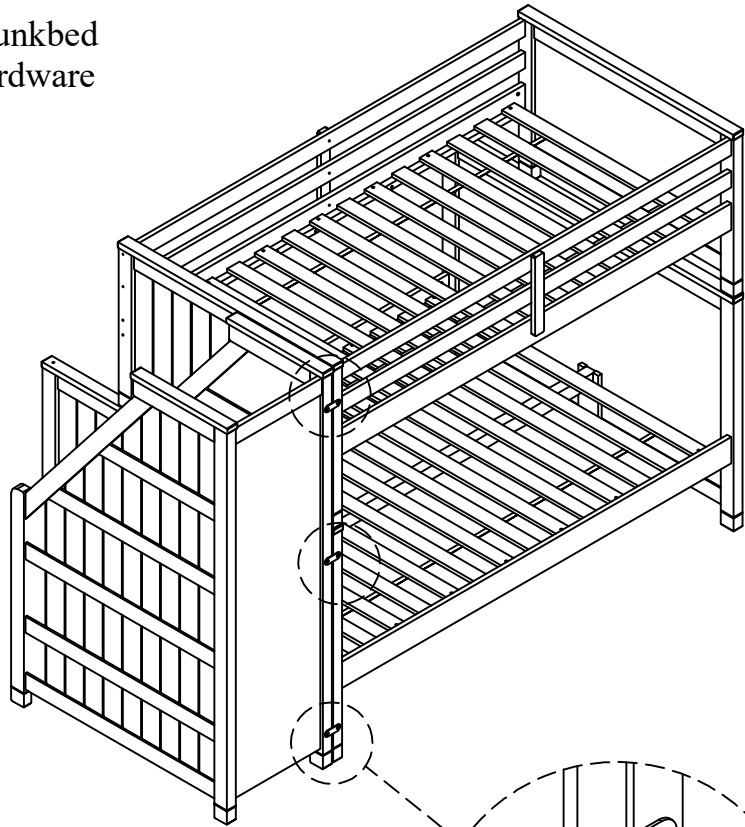
Notice: Using the color stickers (8) to fill the empty holes on frames.



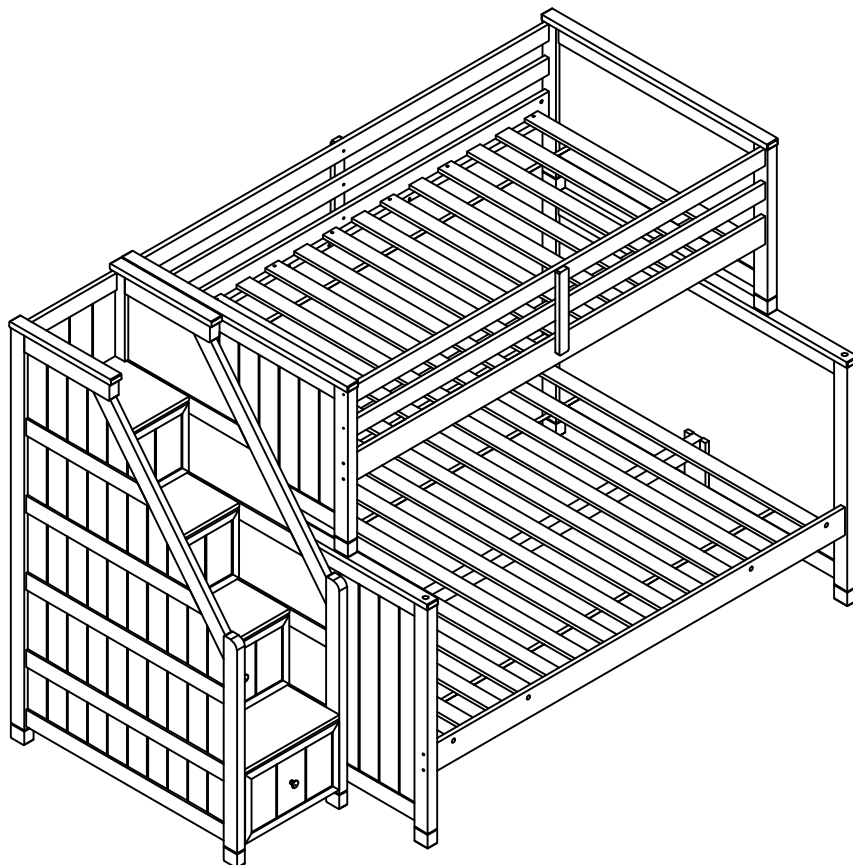
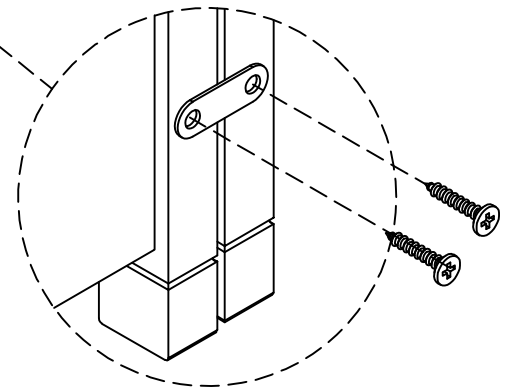
8=4Pcs

# Combining with Stairway Chest ( Option 2).

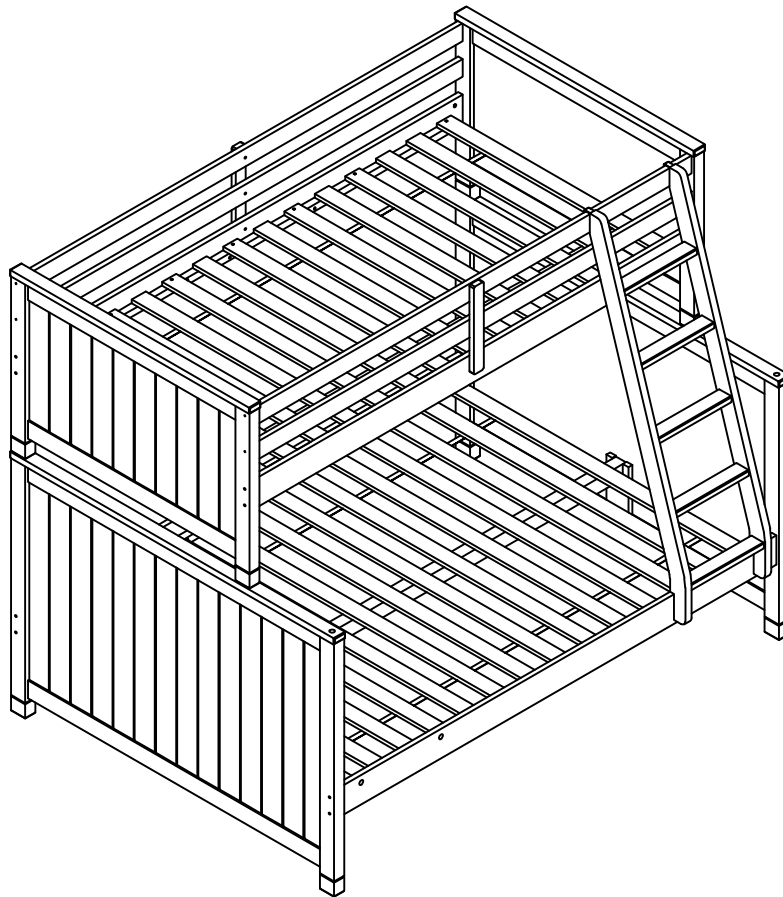
Please attach the Stairway Chest to Bunkbed by metal bracket and screw ( these hardware are included in Stairway box).



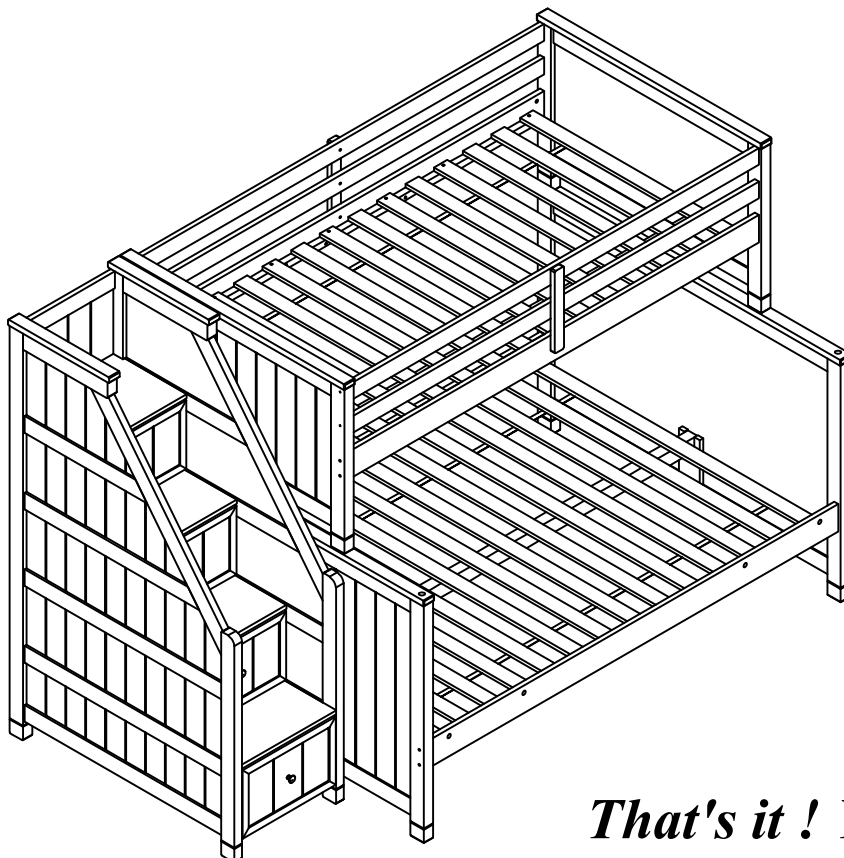
**Please place Stairway Chest is next to Bunkbed Side and wall.**



Option 1:



Option 2:



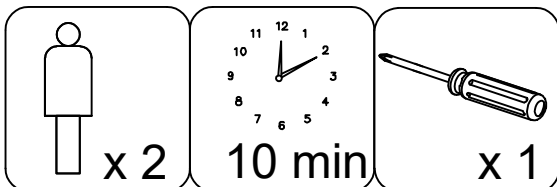
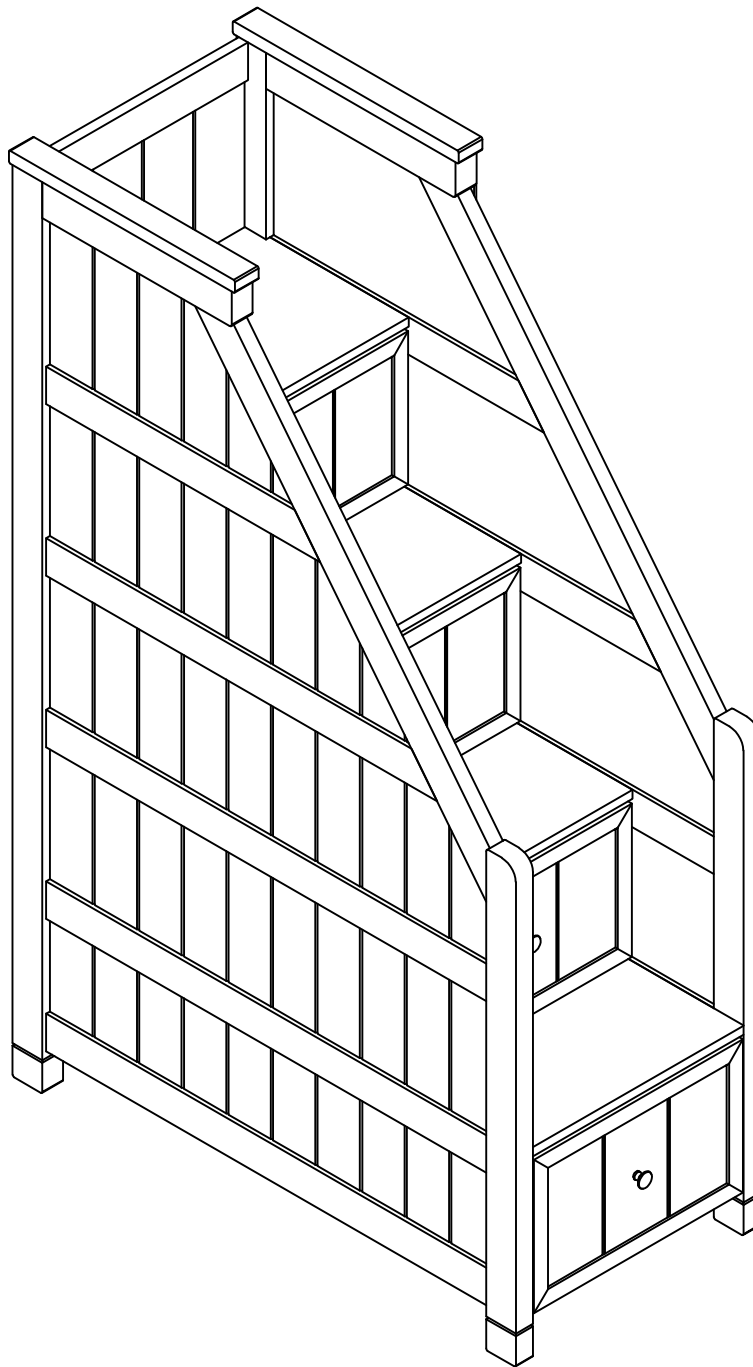
*That's it ! You've finished  
assembling your item. Thank you!*



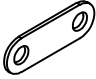

# ASSEMBLY INSTRUCTIONS

## LUCA STAIRWAY CHEST

ITEM NO: Y2103W-349    SKU: 314672  
Y2103B-349                314584  
Y2103G-349                314628



## Hardware List of Luca Stairway Chest

Part	SKU#	IMAGE	DESCRIPTION	QTY
①	1997LD-1(3)		Connector 70*20*2mm	3
②	1997LD-2(6)		Screws 8#*25mm	6

***Note: Screwdriver will be prepared by yourself.***

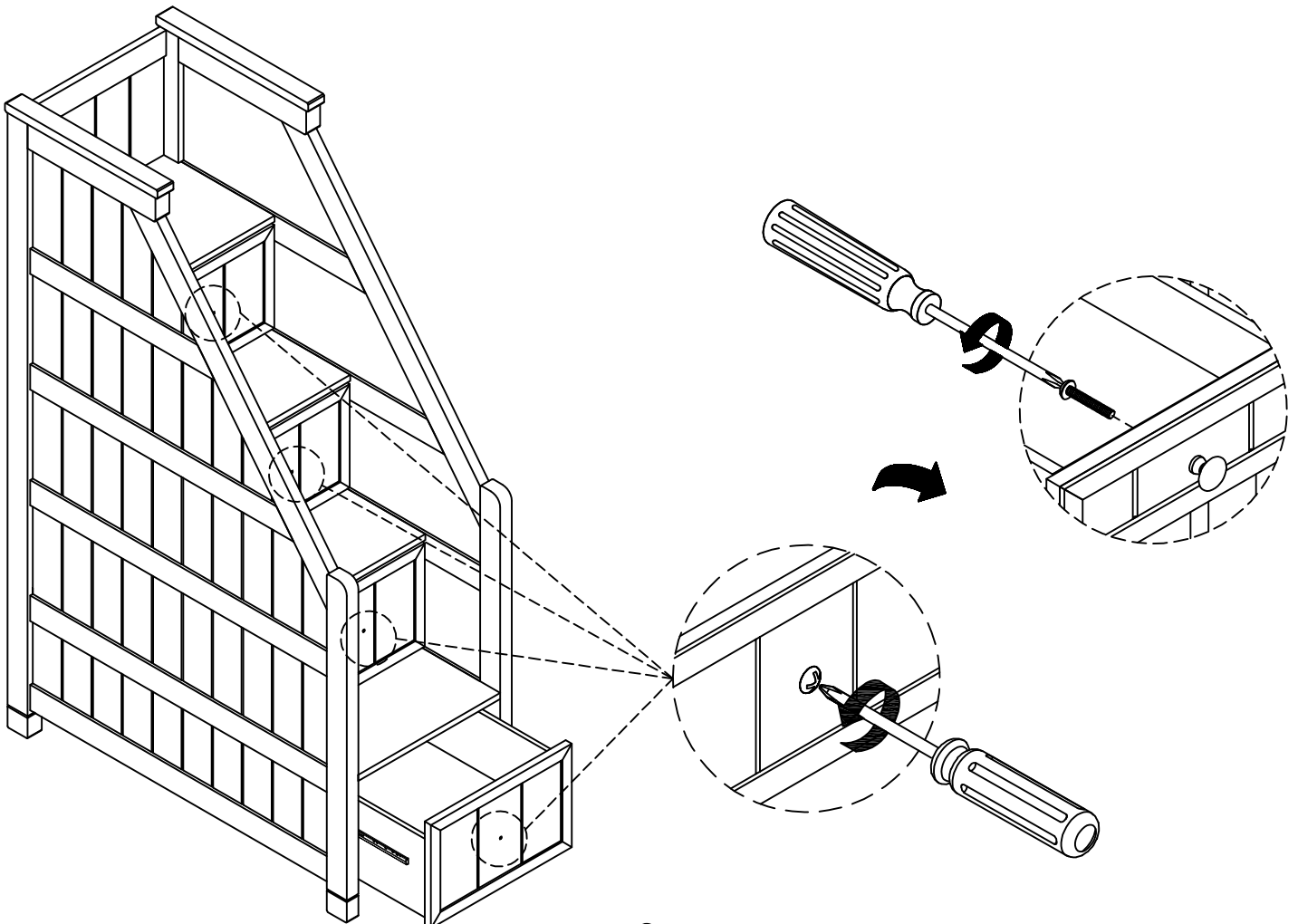
**THE HARDWARE IS LOCATED IN THE PACKING ITEM**

**NOTE: MUST TIGHTEN SCREWS PERIODIACLLY. WITH USE SCREW MAY ENCOME LOOSE CHECK TIGHTNESS OF ALL SCREWS EVERY 6-8 WEEKS.**

### CLEANING INSTRUCTIONS:

After assembly, clean and polish the completed parts if necessary with soft cloth and industrial recognized furniture polish.

### REVERT THE KNOB AS INSTRUCTION:

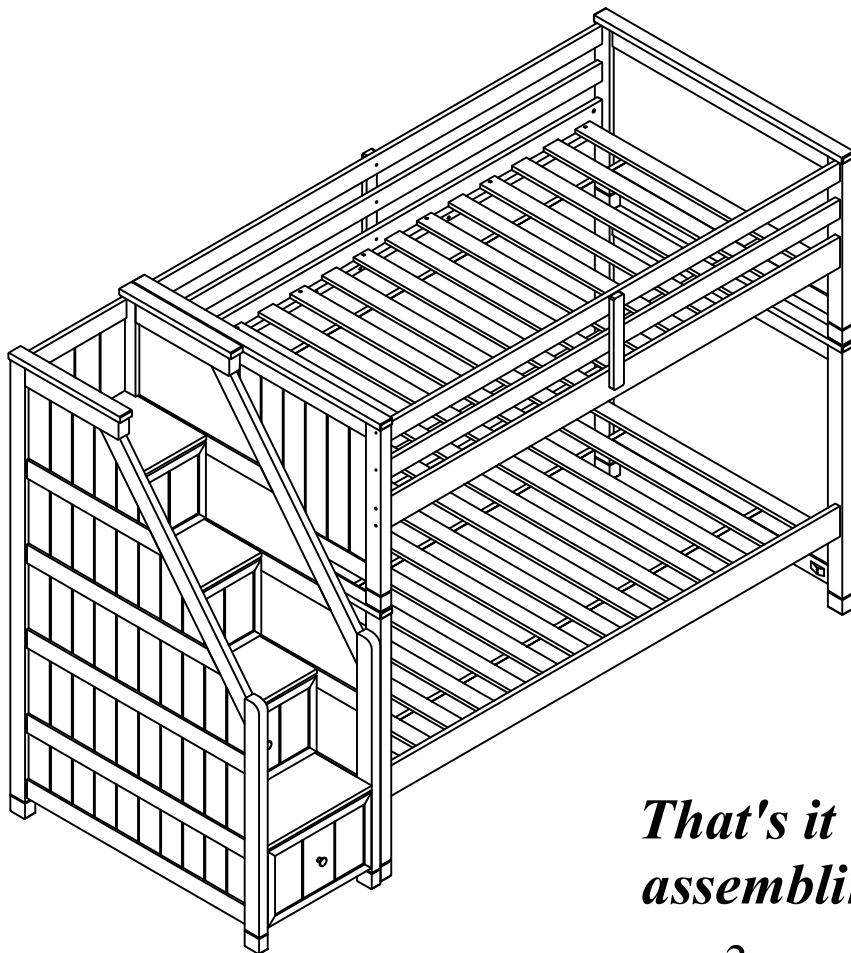
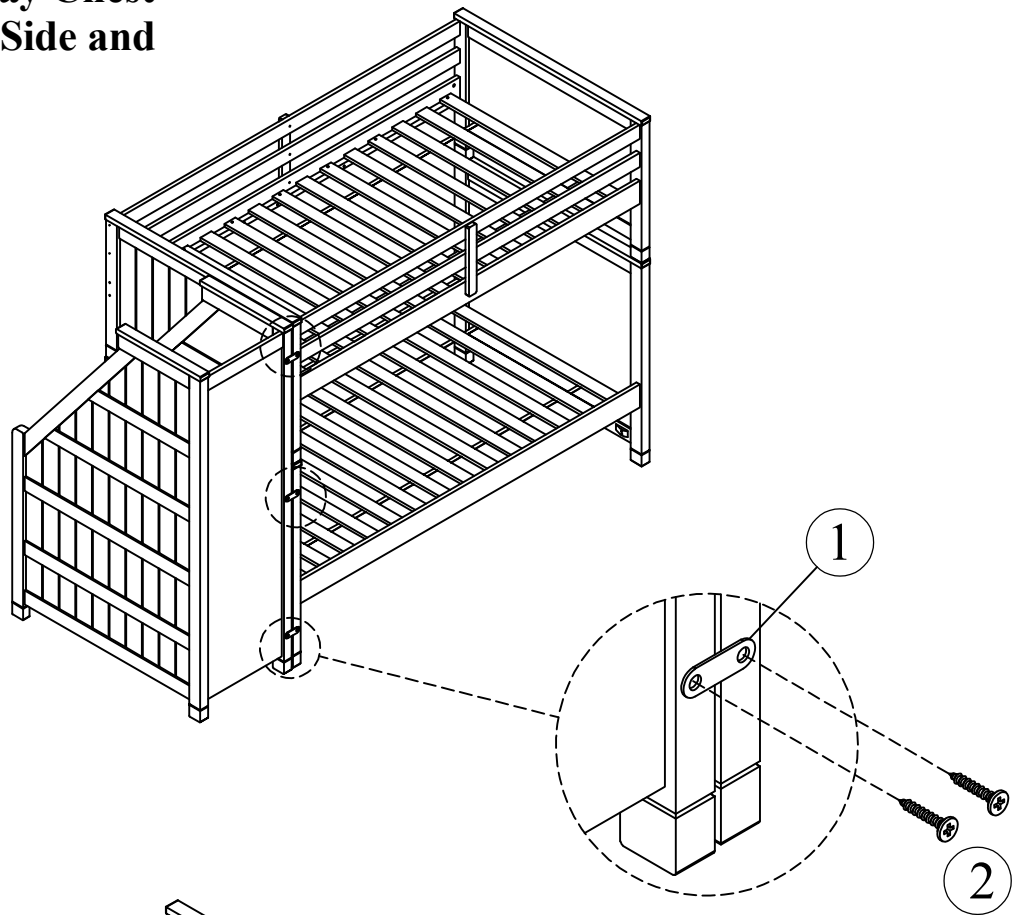




## Option 1: Your Bunk bed is Twin/Twin

Please attach the Stairway Chest to Bunkbed by metal bracket (1) and screw (2).

**!** Please place Stairway Chest is next to Bunkbed Side and wall.

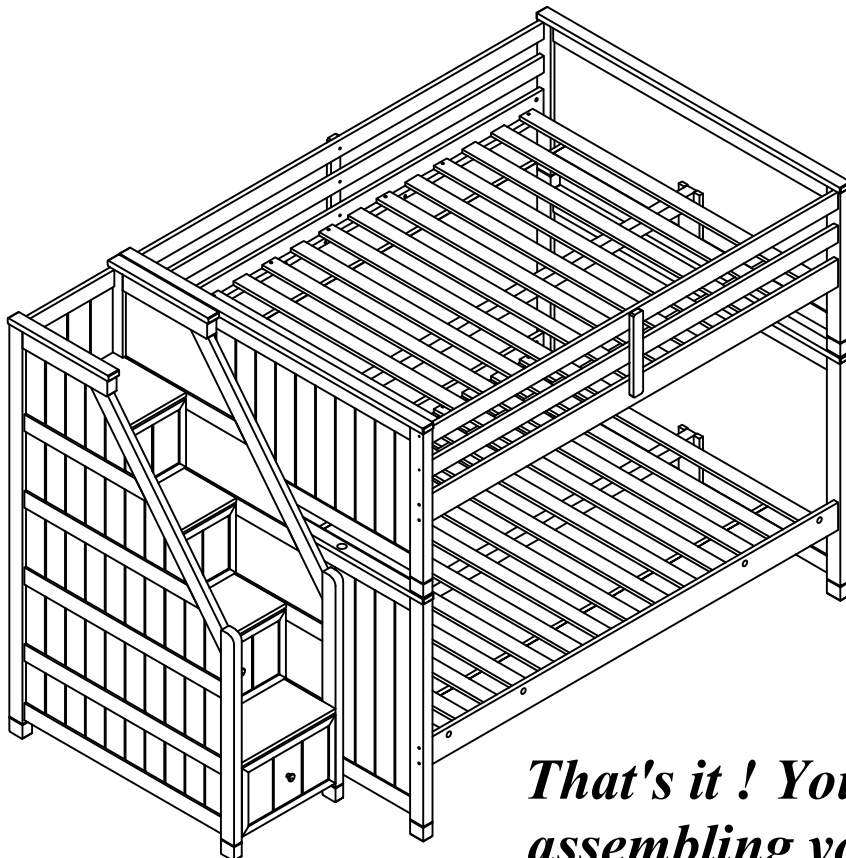
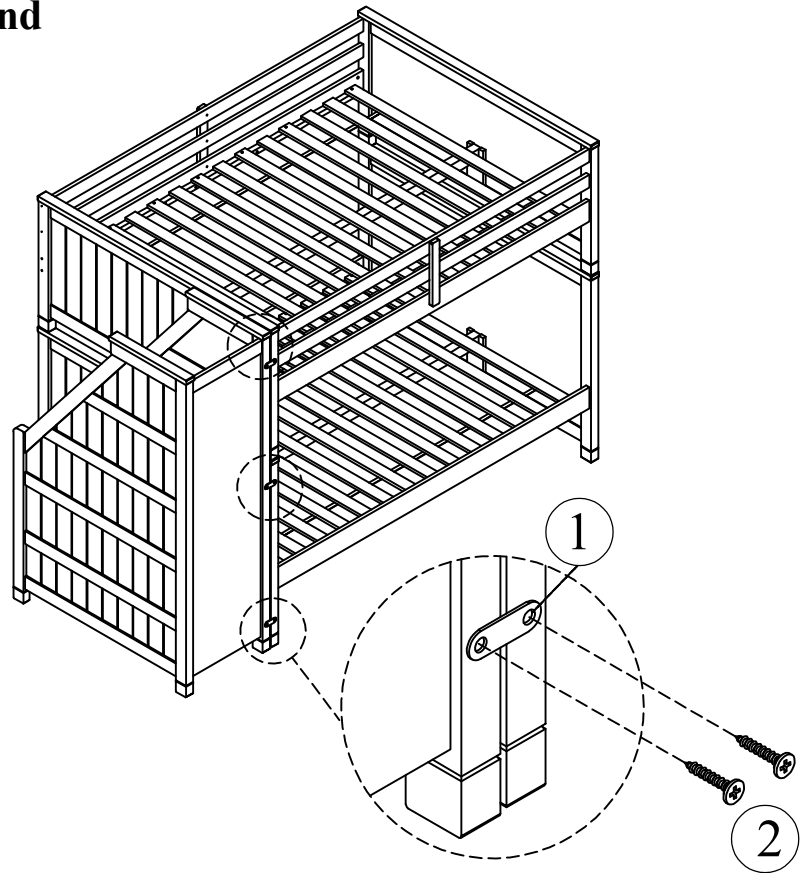


*That's it ! You've finished assembling your item. Thank you!*

## Option 2: Your Bunk bed is Full/Full

Please attach the Stairway Chest to Bunkbed by metal bracket (1) and screw (2).

**!** Please place Stairway Chest is next to Bunkbed Side and wall.

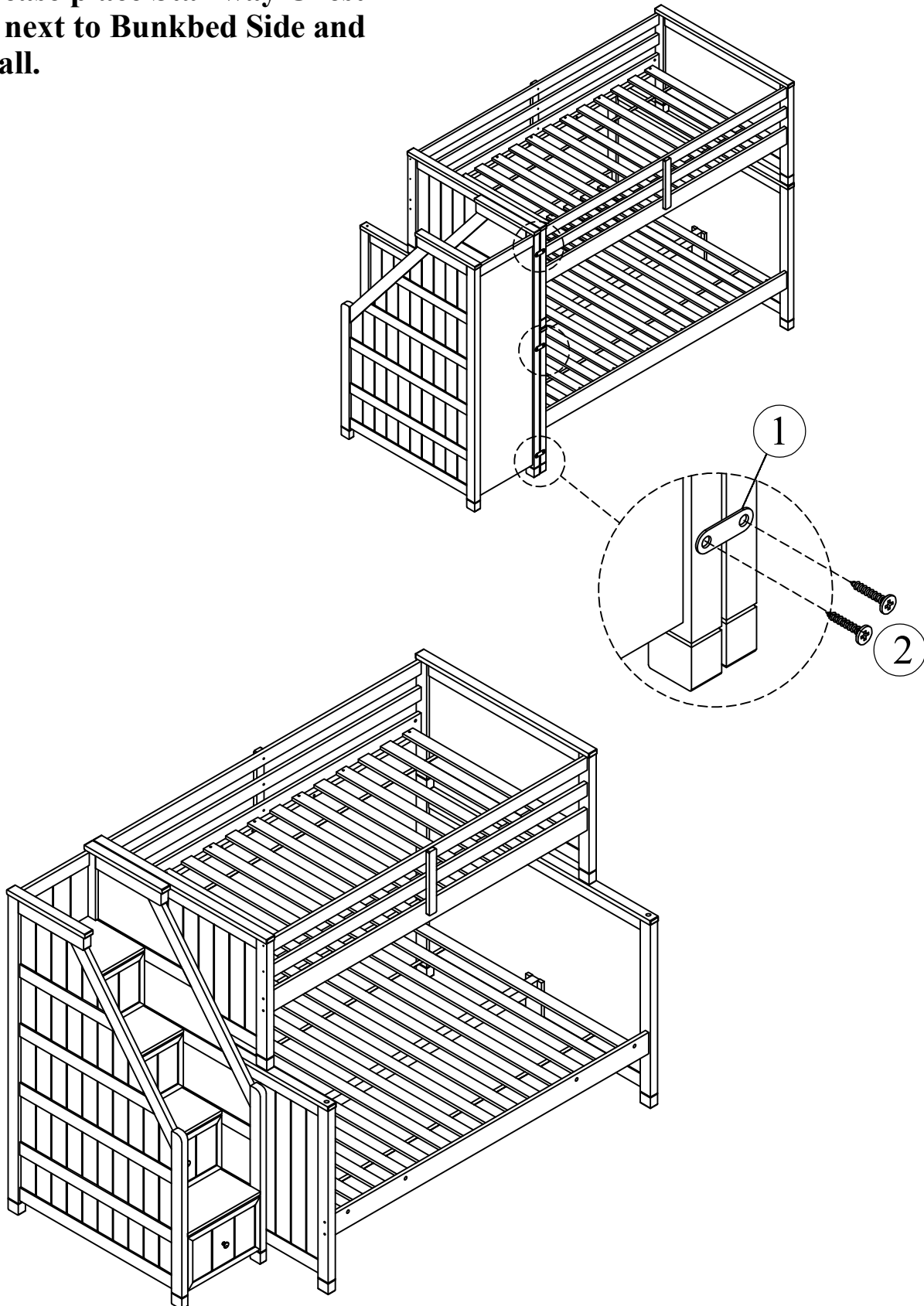


*That's it ! You've finished assembling your item. Thank you!*

## Option 3: Your Bunk bed is Twin/Full

Please attach the Stairway Chest to Bunkbed by metal bracket (1) and screw (2).

**!** Please place Stairway Chest is next to Bunkbed Side and wall.



*That's it ! You've finished assembling your item. Thank you!*



LIVING SPACES

# ASSEMBLY INSTRUCTIONS

## LUCA PANEL/BUNK/DAYBED TRUNDLE

ITEM NO: Y2103W-348

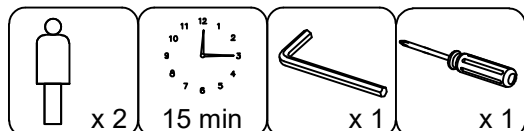
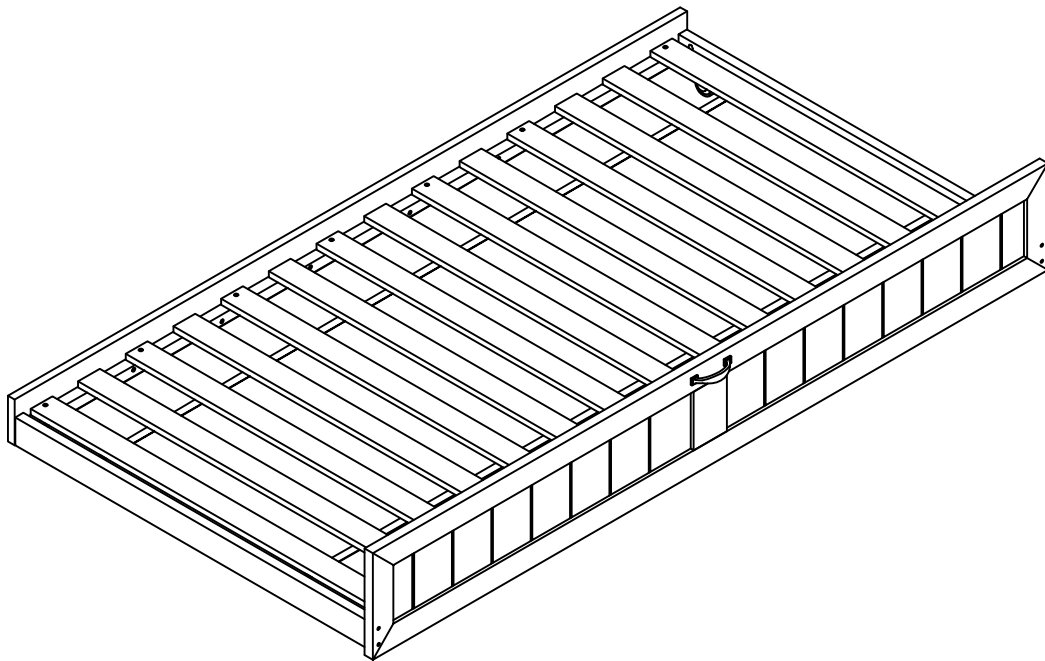
SKU: 314671

Y2103B-348

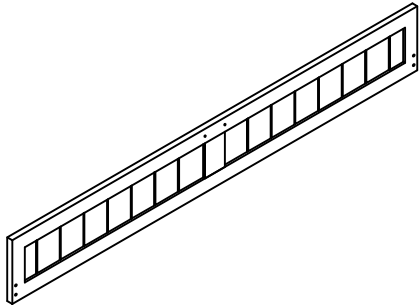
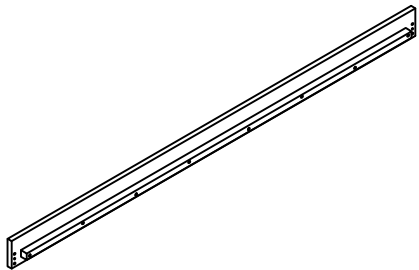
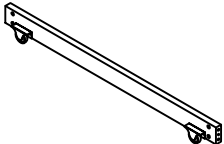
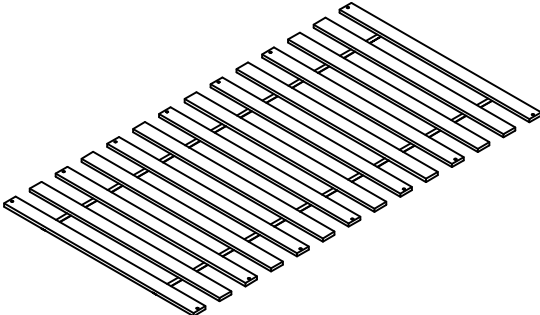
314583

Y2103G-348



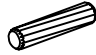

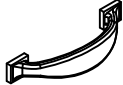

314627



## Part list

PART	SKU#	IMAGE	DESCRIPTION	QTY
<p style="text-align: center;">(A)</p>	<p>1996-A-W: (White) 1996-A-B: (Blue) 1996-A-G: (Grey)</p>		<p style="text-align: center;">Front</p>	<p style="text-align: center;">1</p>
<p style="text-align: center;">(B)</p>	<p>1996-B-W: (White) 1996-B-B: (Blue) 1996-B-G: (Grey)</p>		<p style="text-align: center;">Back rail</p>	<p style="text-align: center;">1</p>
<p style="text-align: center;">(C)</p>	<p>1996-C-W: (White) 1996-C-B: (Blue) 1996-C-G: (Grey)</p>		<p style="text-align: center;">Side rails</p>	<p style="text-align: center;">2</p>
<p style="text-align: center;">(D)</p>	<p style="text-align: center;">1996-D</p>		<p style="text-align: center;">Slats</p>	<p style="text-align: center;">1</p>

## Hardware List of Luca Trundle

Part	SKU#	IMAGE	DESCRIPTION	QTY
①	1996-1(8)		Bolt and nut M8*70mm	8
②	1996-2(2)		Bolts M4*20mm	2
③	1996-3(4)		Dowel Ø8*40mm	4
④	1996-4(14)		Screws 8#*30mm	14
⑤	1996-5(1)		Handle	1
⑥	1996-6(1)		Allen key 60*22*4mm	1

***Note: Screwdriver will be prepared by yourself.***

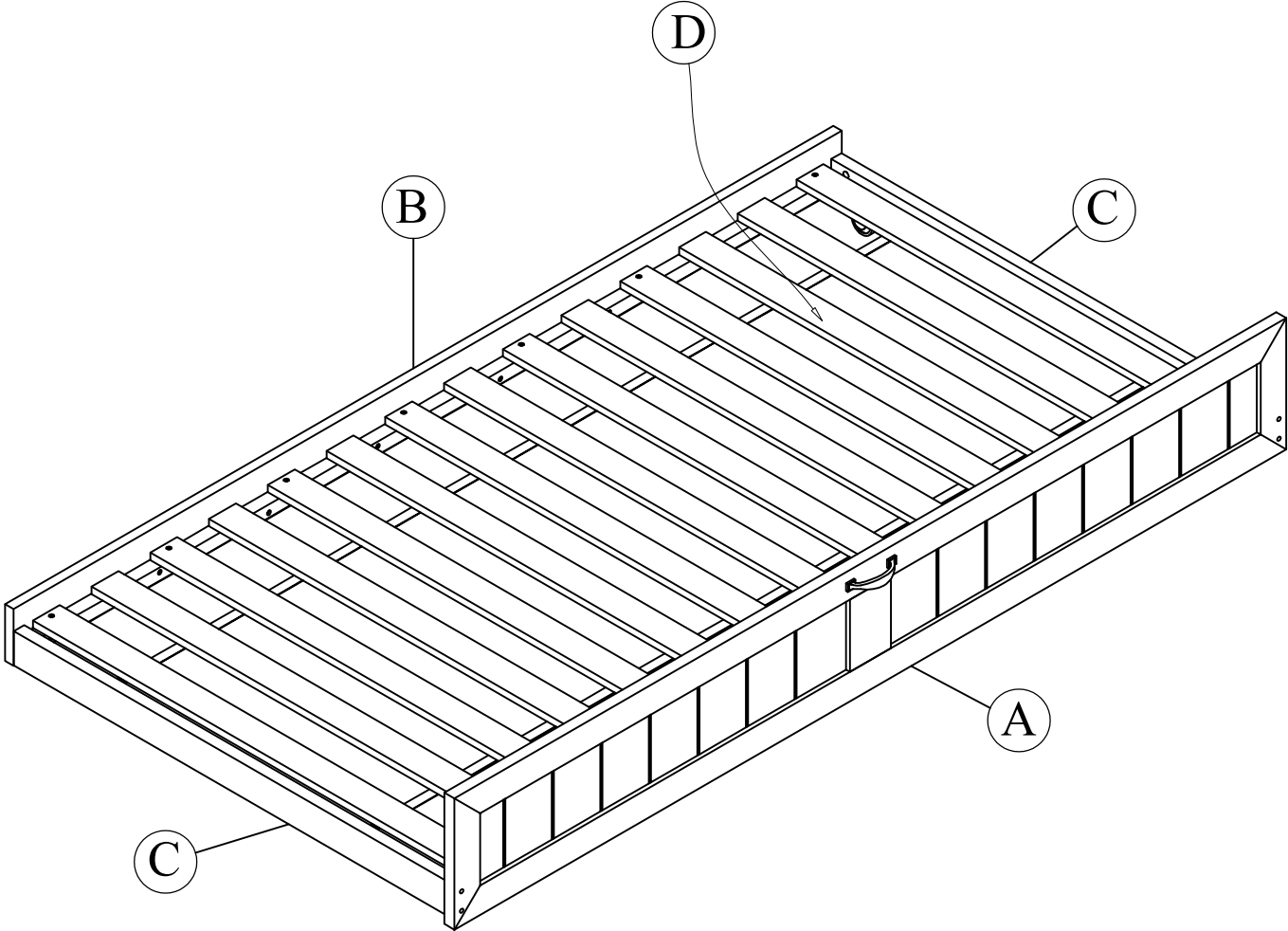
**THE HARDWARE IS LOCATED IN THE PACKING ITEM**

**NOTE: MUST TIGHTEN SCREWS PERIODIACLLY. WITH USE SCREW MAY ENCOME LOOSE CHECK TIGHTNESS OF ALL SCREWS EVERY 6-8 WEEKS.**

### CLEANING INSTRUCTIONS:

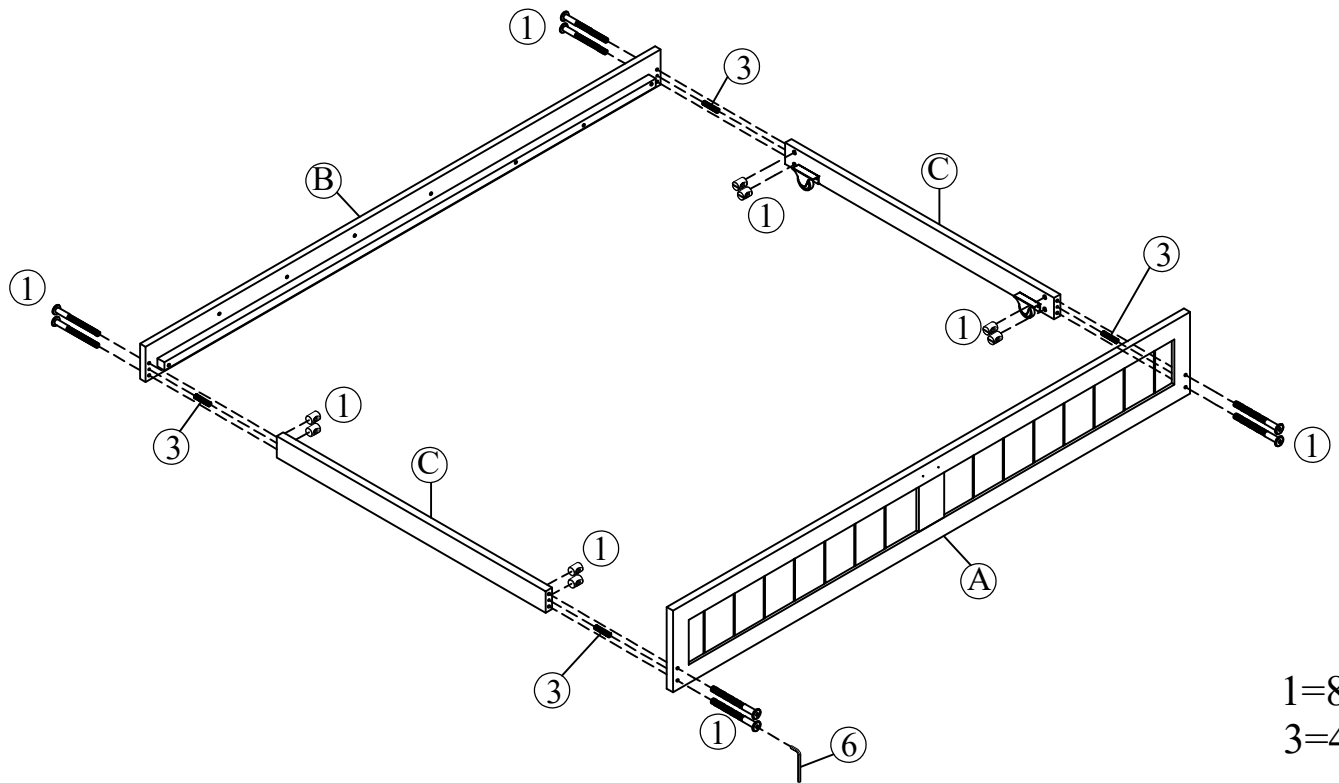
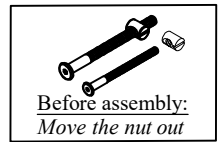
After assembly, clean and polish the completed parts if necessary with soft cloth and industrial recognized furniture polish.

Detail view



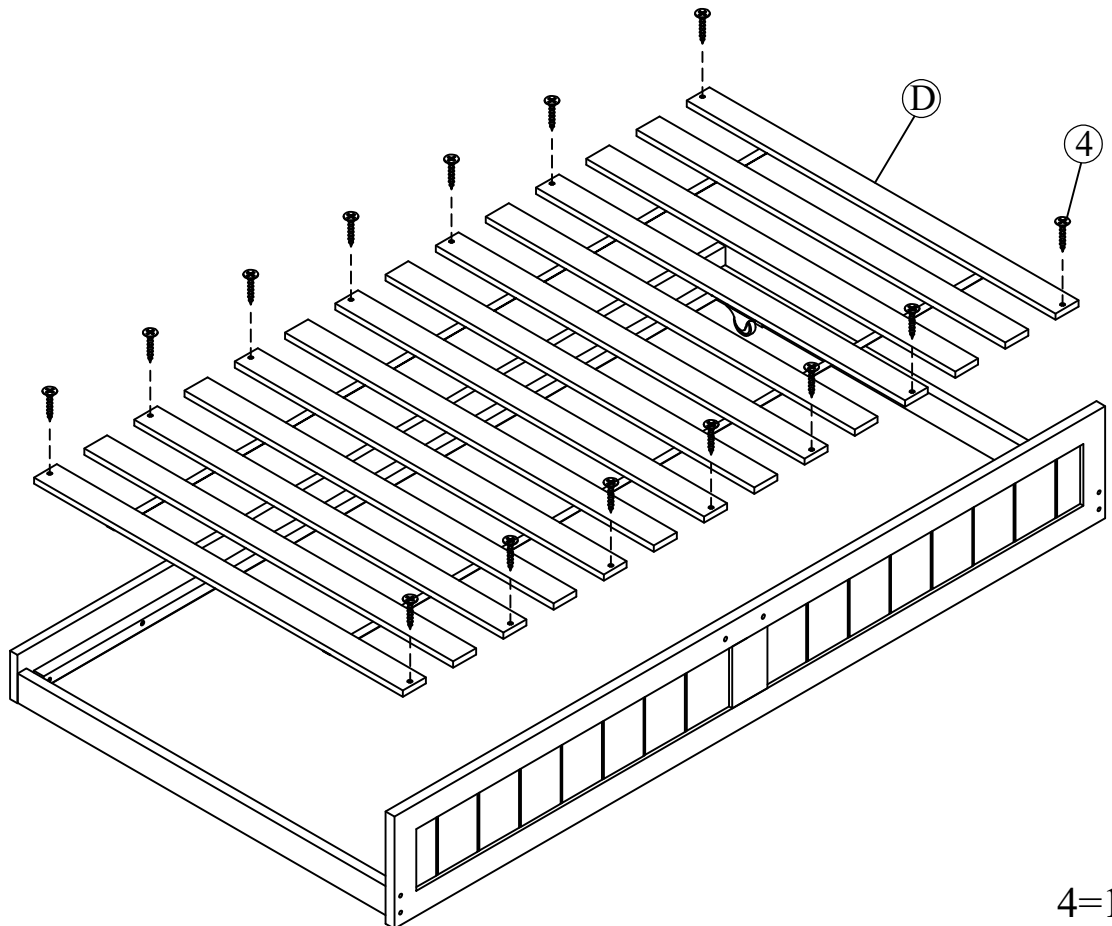
## STEP 1:

- Firstly, please locate Side Rail (C) to Front (A), Back (B) by dowel (3).
- Fasten Side Rail (C) by (Bolt+nut) (1).



1=8 Pcs  
3=4 Pcs

STEP 2: Please fasten slats (D) by screw (4) into corresponding holes.



4=14 Pcs



