



LIVING SPACES

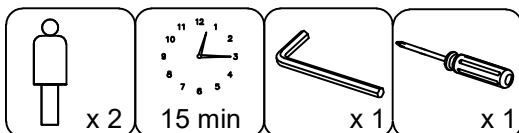
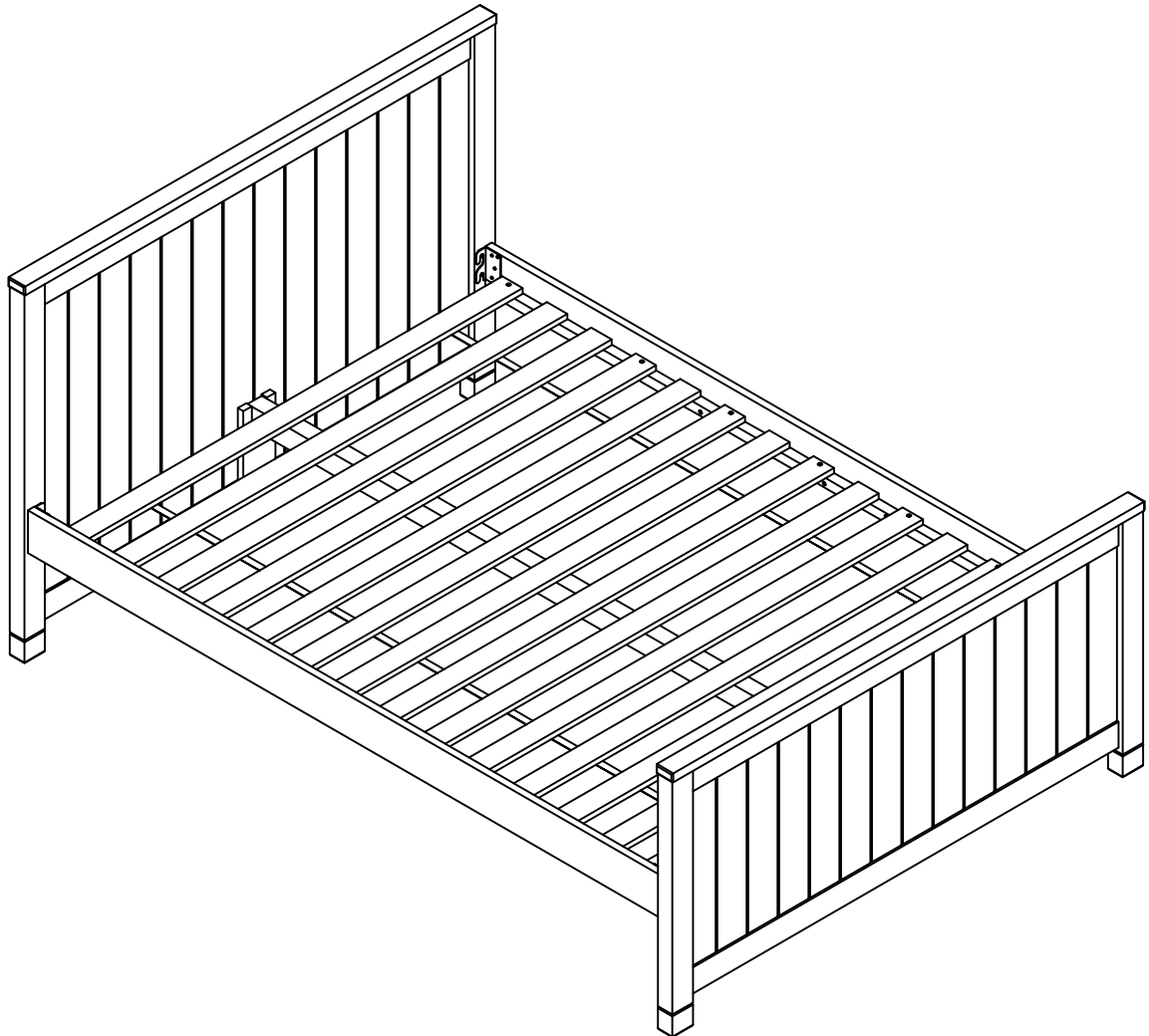
# ASSEMBLY INSTRUCTIONS

## LUCA FULL PANEL BED

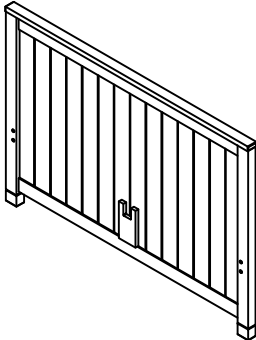
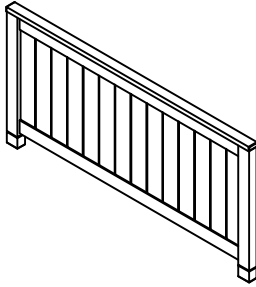
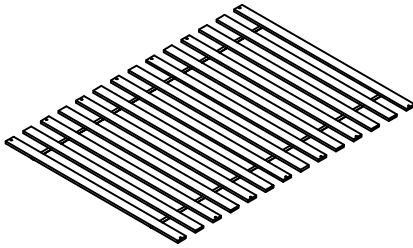
ITEM NO: Y2103W-333/334 SKU: 314657/314658

Y2103B-333/334 314569/314570

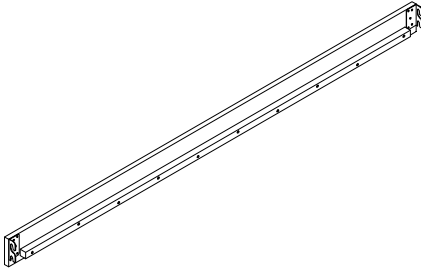
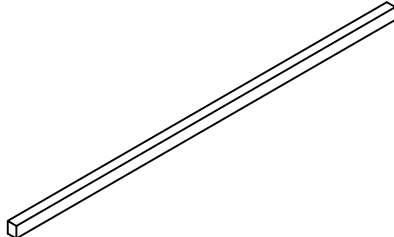
Y2103G-333/334 314613/314614






**BOX 1- FL HEADBOARD/FOOTBOARD/SLATS PANEL BED**

PART	SKU#	IMAGE	DESCRIPTION	QTY
Ⓐ	1994F-A-W: (White) 1994F-A-B: (Blue) 1994F-A-G: (Grey)		<b>Headboard</b>	<b>1</b>
Ⓑ	1994F-B-W: (White) 1994F-B-B: (Blue) 1994F-B-G: (Grey)		<b>Footboard</b>	<b>1</b>
Ⓔ	1994F-E		<b>Slats</b>	<b>1</b>

**BOX 2- FL RAILS PANEL BED**

PART	SKU#	IMAGE	DESCRIPTION	QTY
Ⓒ	1994F-C-W: (White) 1994F-C-B: (Blue) 1994F-C-G: (Grey)		<b>Rails</b>	<b>2</b>
Ⓓ	1994F-D-W: (White) 1994F-D-B: (Blue) 1994F-D-G: (Grey)		<b>Slat support</b>	<b>1</b>

## Hardware List of Luca Full Panel Bed

Part	SKU#	IMAGE	DESCRIPTION	QTY
①	1994F-1(8)		Bolts M8*20mm	8
②	1994F-2(14)		Screws 8#*30mm	14
③	1994F-3(1)		Allen key 60*22*4mm	1

***Note: Screwdriver will be prepared by yourself.***

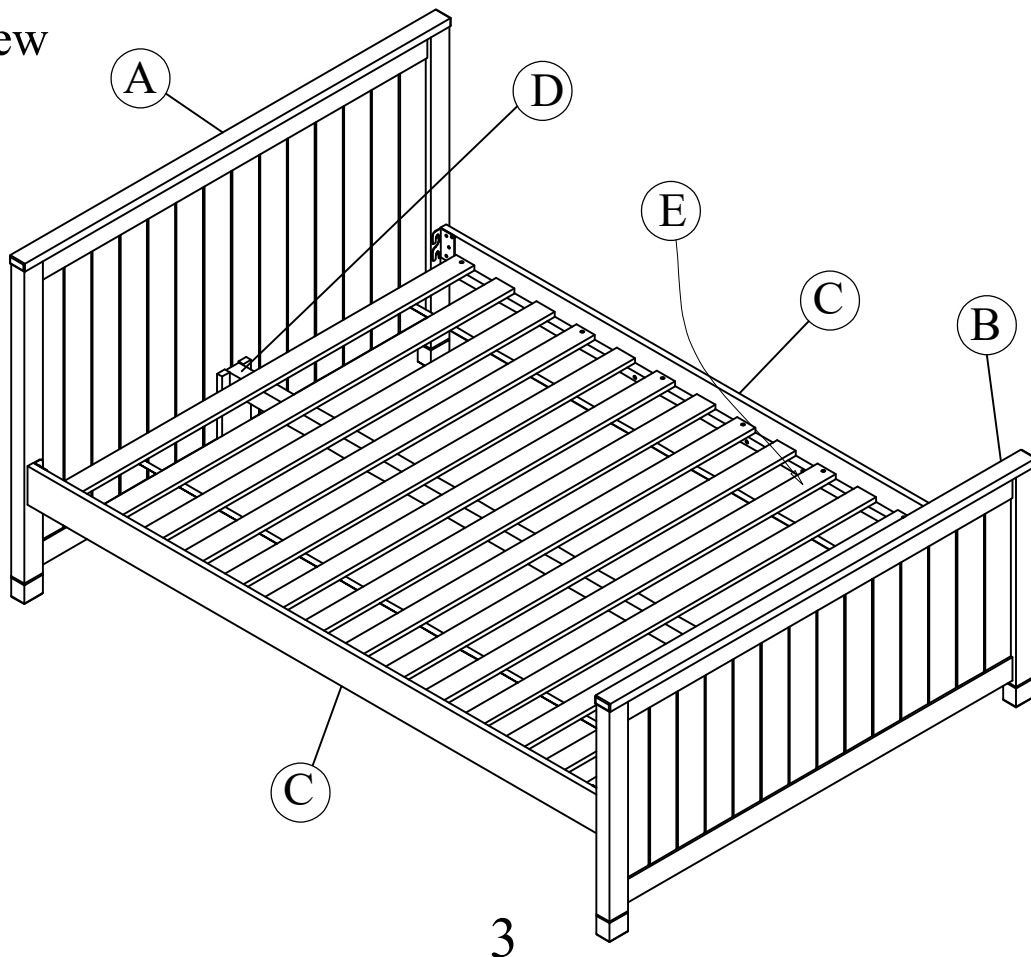
THE HARDWARE IS LOCATED IN THE PACKING ITEM

**NOTE: MUST TIGHTEN SCREWS PERIODIACLLY. WITH USE SCREW MAY ENCOME LOOSE CHECK TIGHTNESS OF ALL SCREWS EVERY 6-8 WEEKS.**

### CLEANING INSTRUCTIONS:

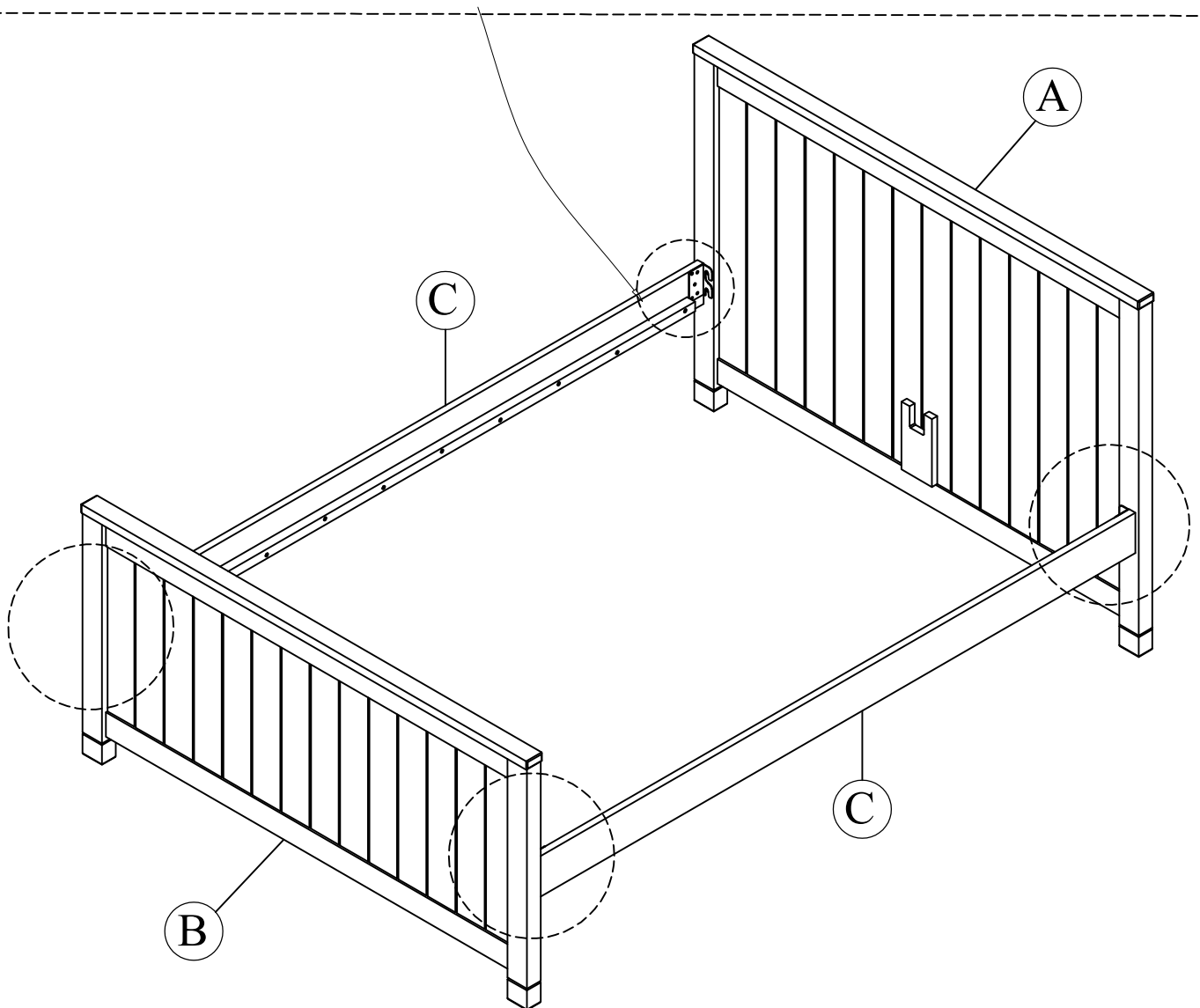
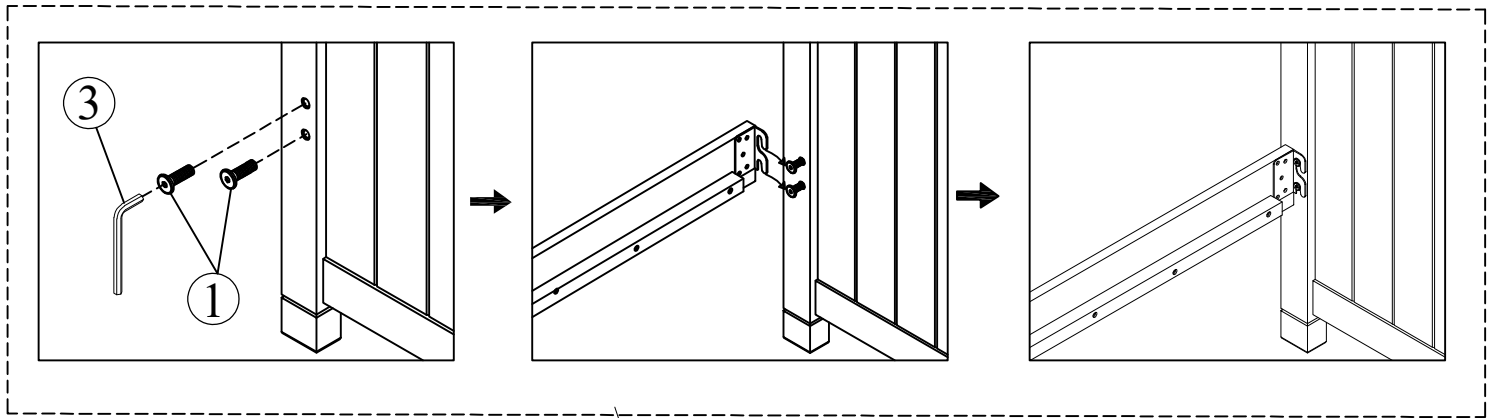
After assembly, clean and polish the completed parts if necessary with soft cloth and industrial recognized furniture polish.

Detail view



## STEP 1:

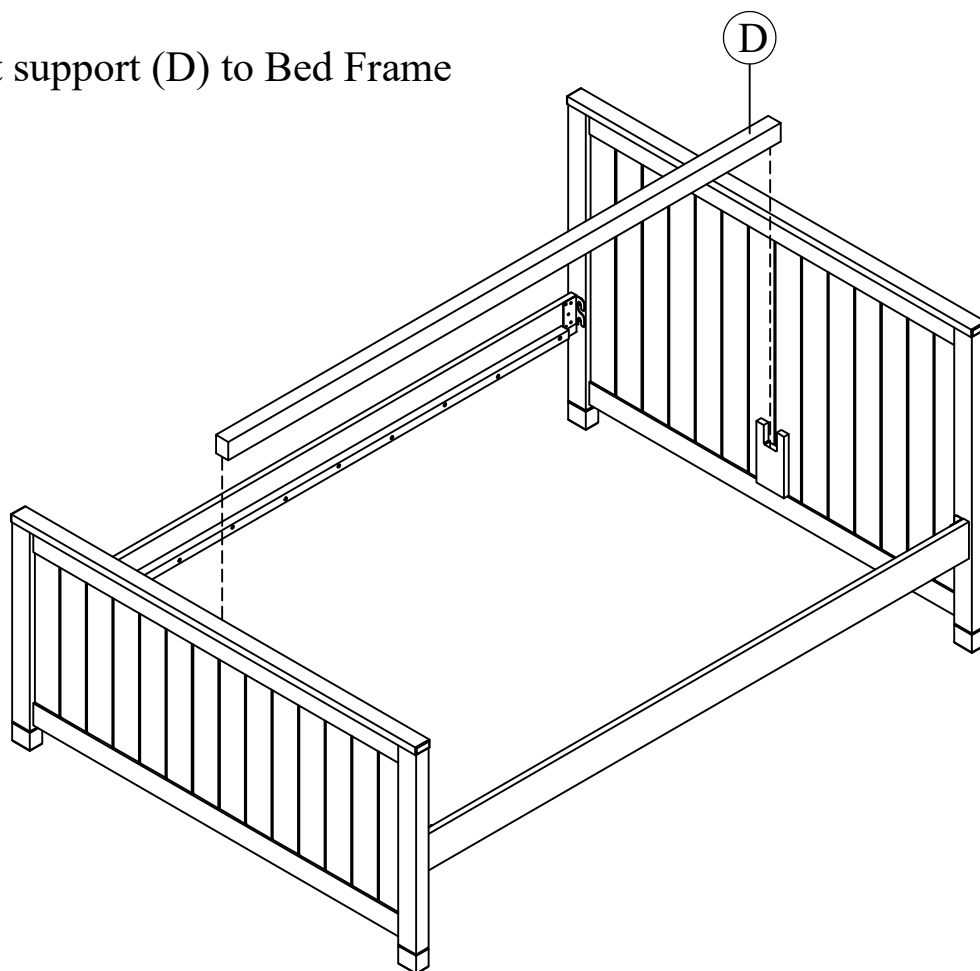
- Attaching Bolt (1) to Pre-holes on Headboard (A), Footboard (B). Please be noted that "*should not tighten*" bolts.
  - Connecting the hook on Rail (C) to Bolt (1) and fasten again.
- ⚠ **Pay attention to rail orientation.**



1=8 Pcs

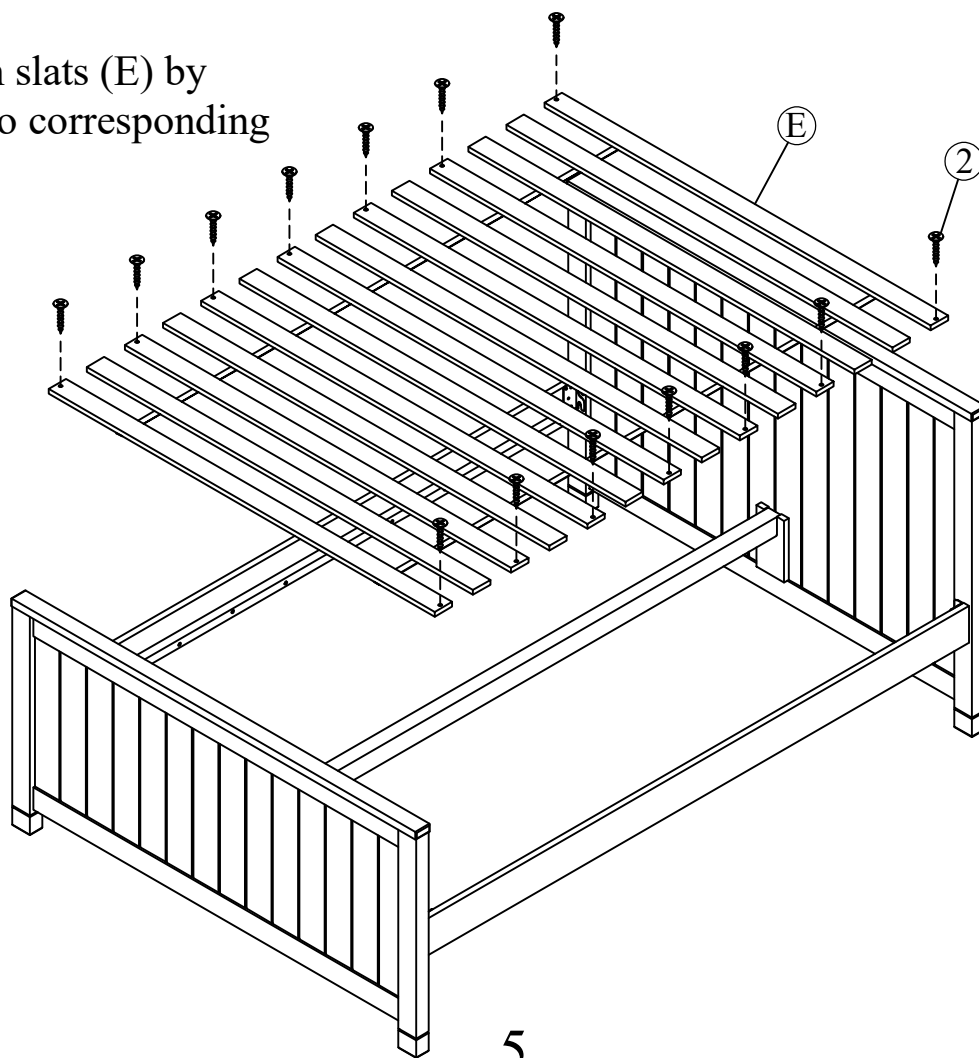
**STEP 2:**

Place the Slat support (D) to Bed Frame

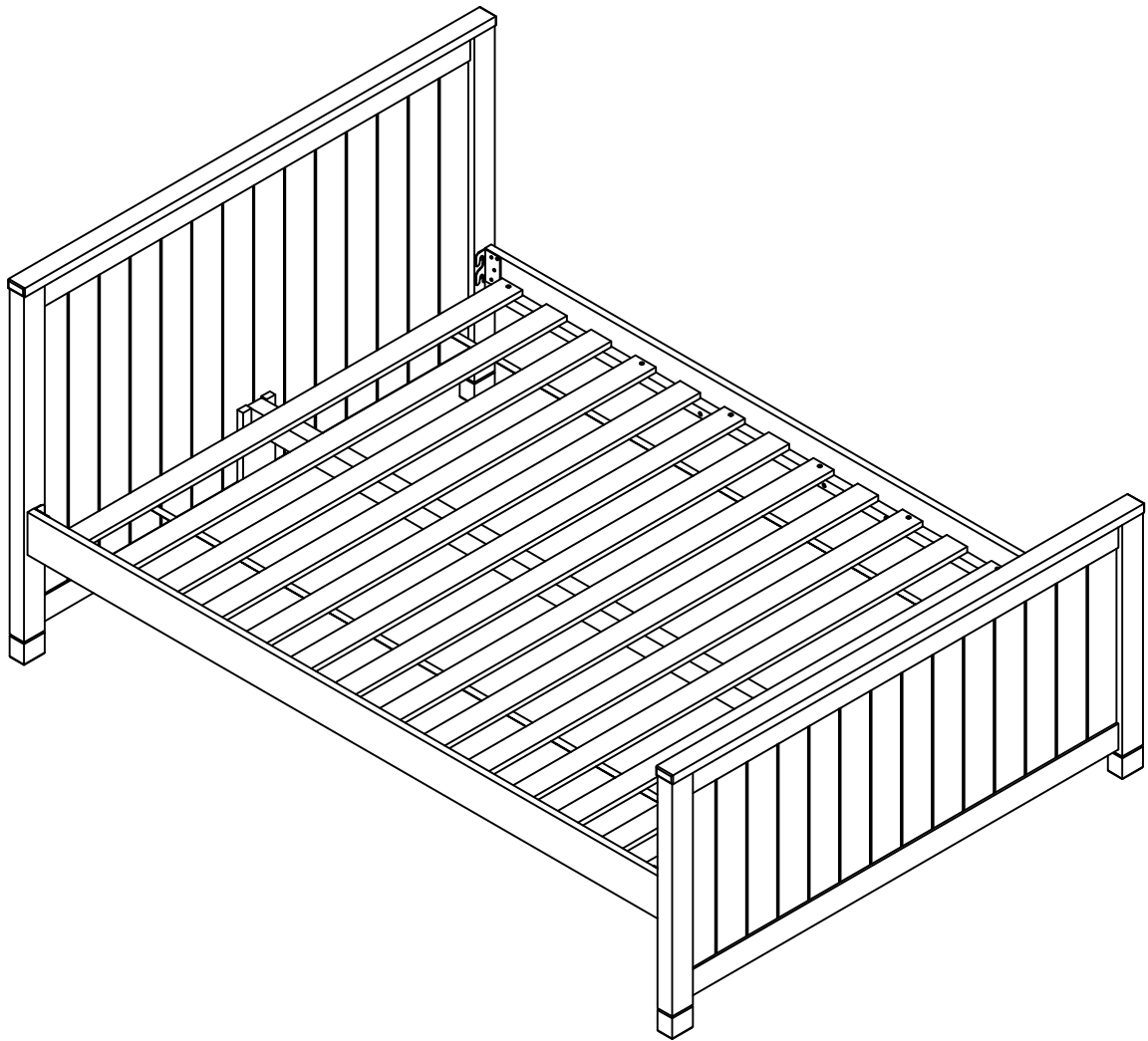


**STEP 3:**

Please fasten slats (E) by screw (2) into corresponding holes.



2=14 Pcs



*That's it ! You've finished  
assembling your item. Thank you!*