

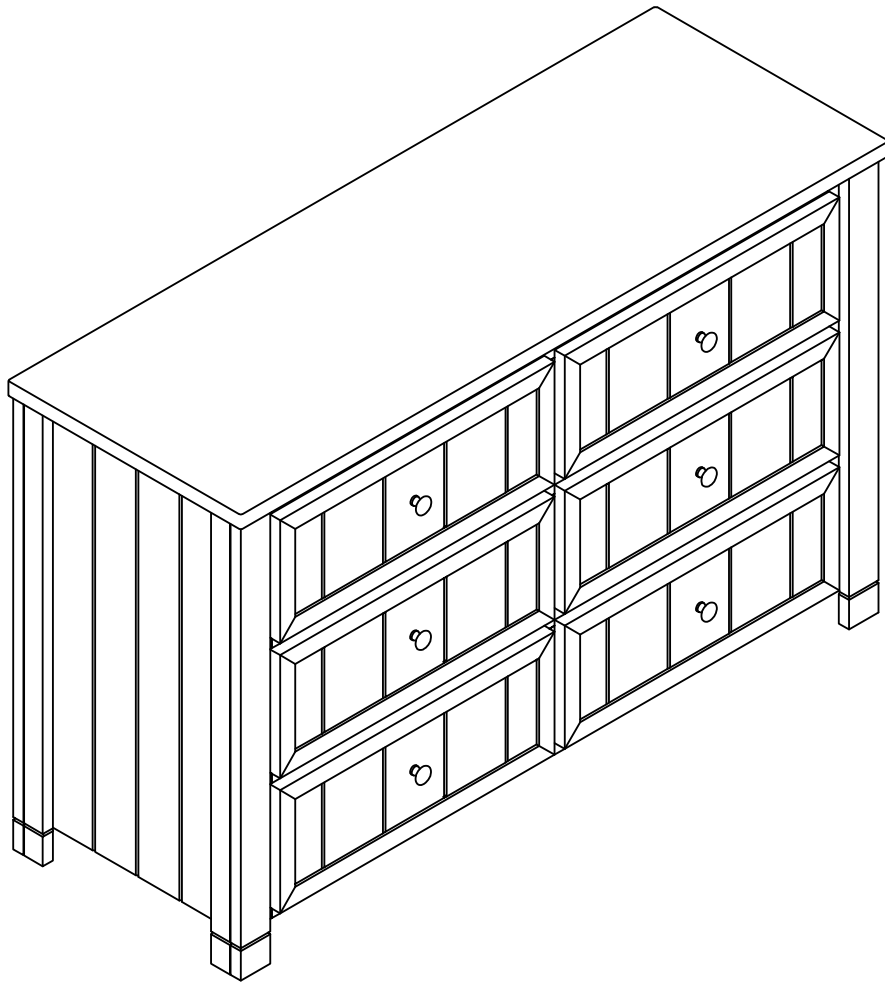


LIVING SPACES

ASSEMBLY INSTRUCTIONS

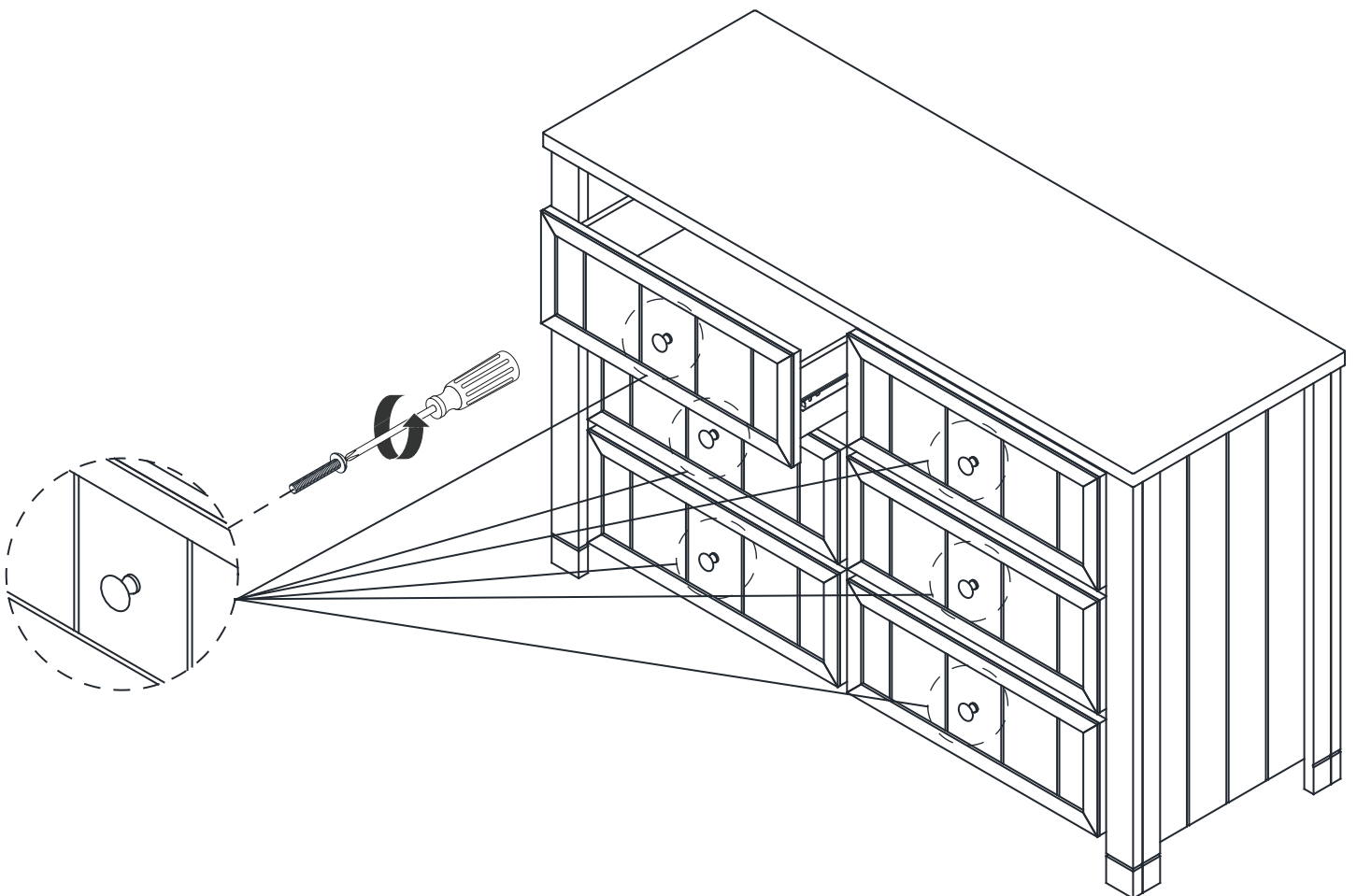
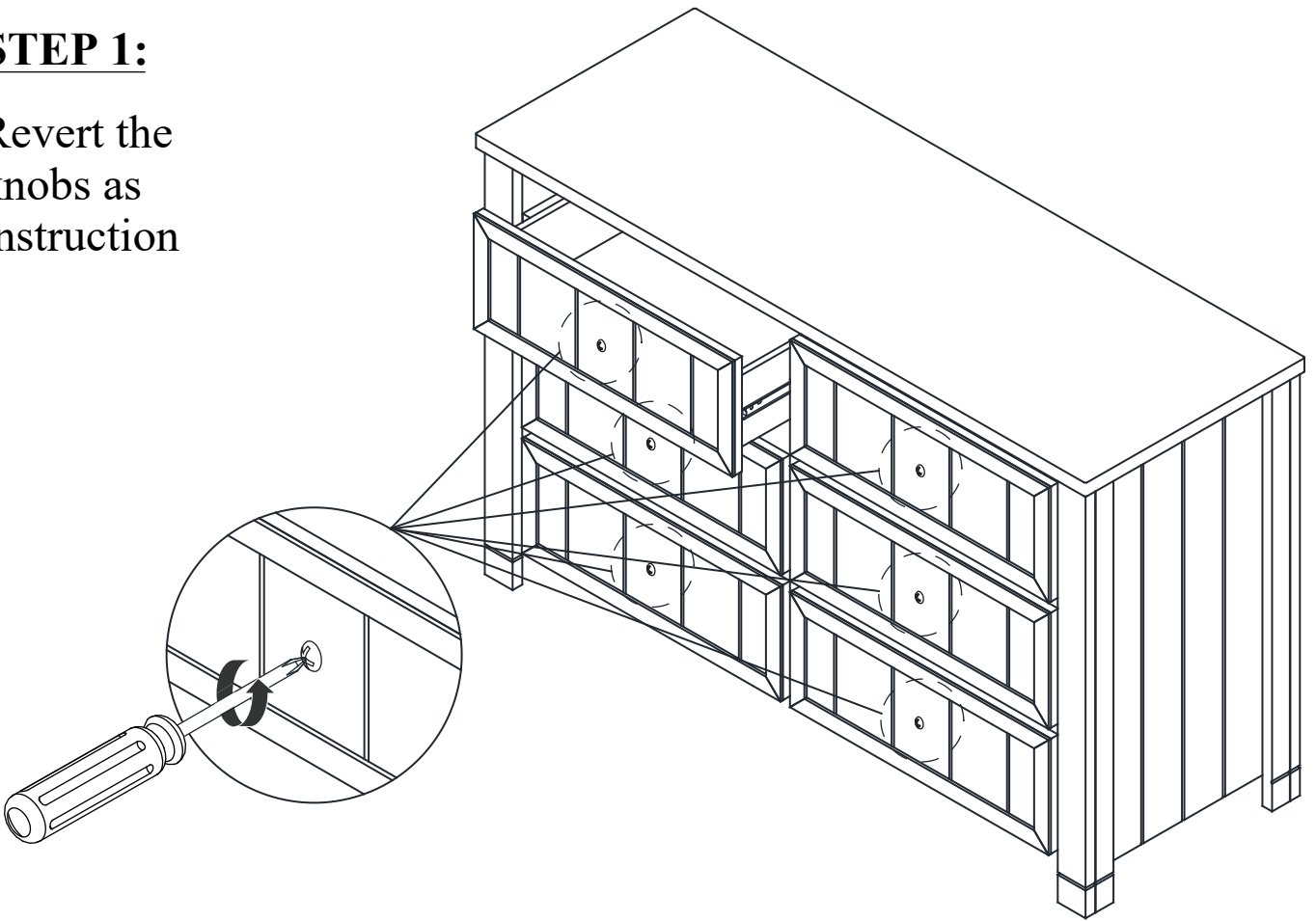
LUCA 6 DRAWER DRESSER

ITEM NO : Y2103W-320 SKU: 314655
 Y2103B-320 314567
 Y2103G-320 314611

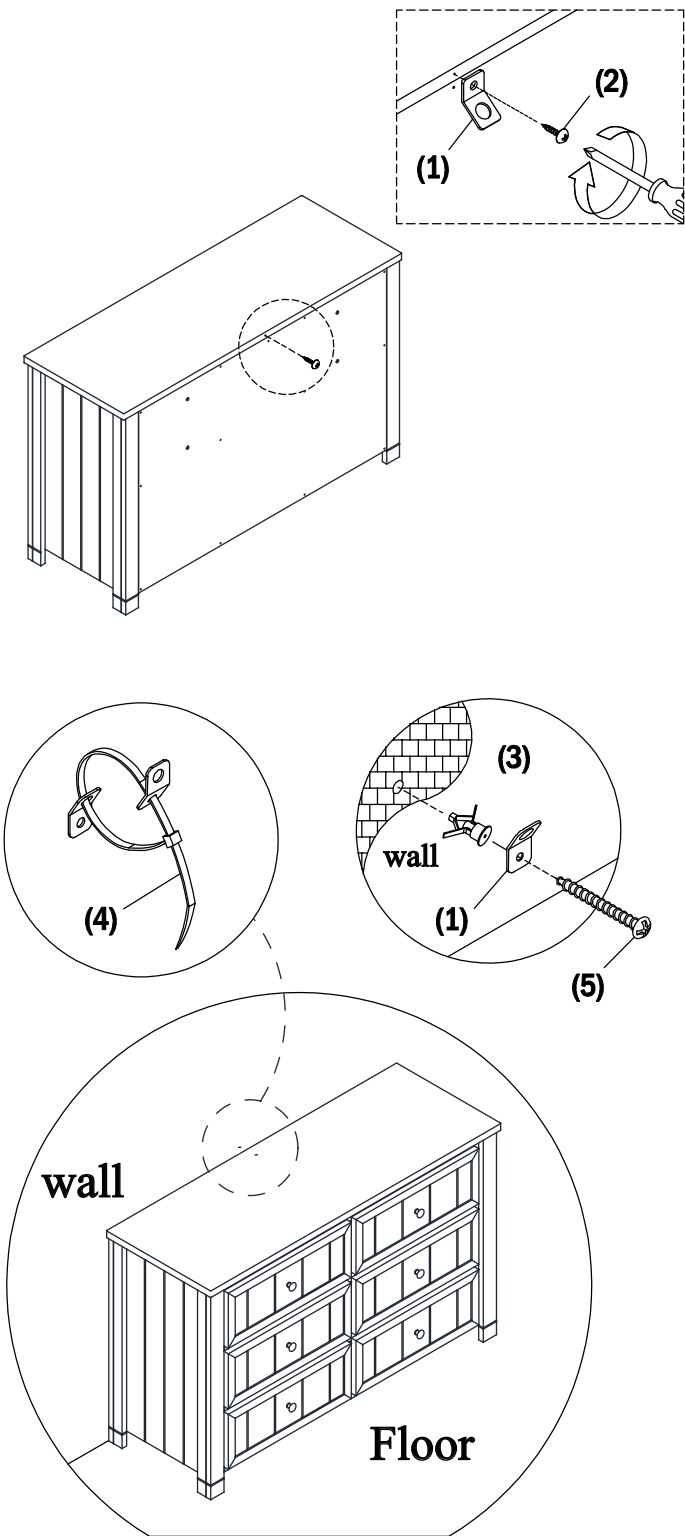


STEP 1:

Revert the
knobs as
instruction

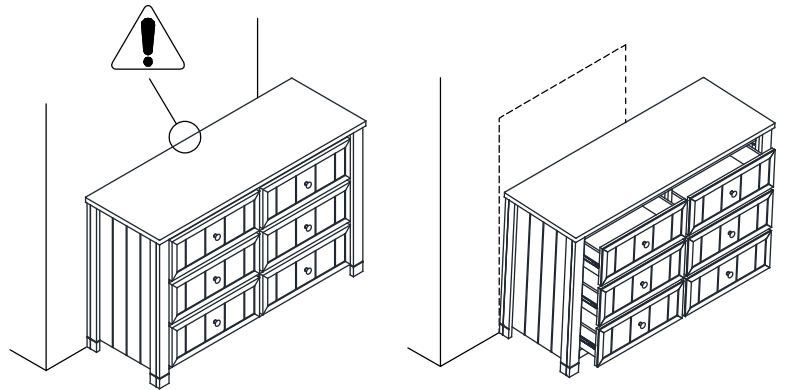


STEP 2: Tipover device assembly

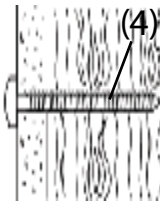


Safety notice

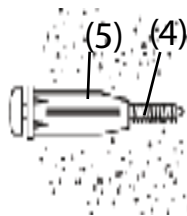
The consumer product safety commission recommends anchoring furniture in homes where children live or visit. In order to protect you and your family the manufacturer of this product has included an easy to install safety device. Please make sure that it is installed according to the following instructions.



Wall mounting hardware



For walls constructed of wood with drywall
 -with a pencil mark location of holder position
 -Drill pilot hole using a 1/8 inch drill bit 2 inches deep
 -Attach holder to wall using the 2 inch screw provided



For walls constructed of concrete
 -with a pencil mark location of holder position
 -Drill pilot hole using a 1/4 inch drill bit 2 inches deep
 -Using a rubber mallet or hammer insert wall anchor into predrilled hole
 -Attach holder to wall anchor using 2 inch screw provided

**Rectangle
metal plate
(1)x2**



**Screws
(2)x1**



**Plastic
anchor
(3)x1**



**Plastic
band
(4)x1**



**Screws
(5)x1**

