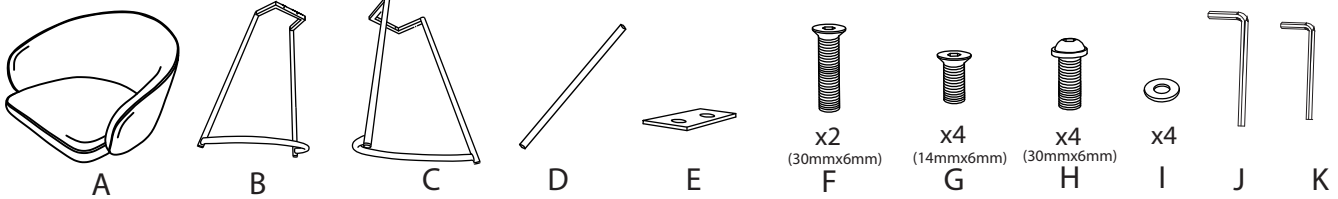


CECE Coutnerstool

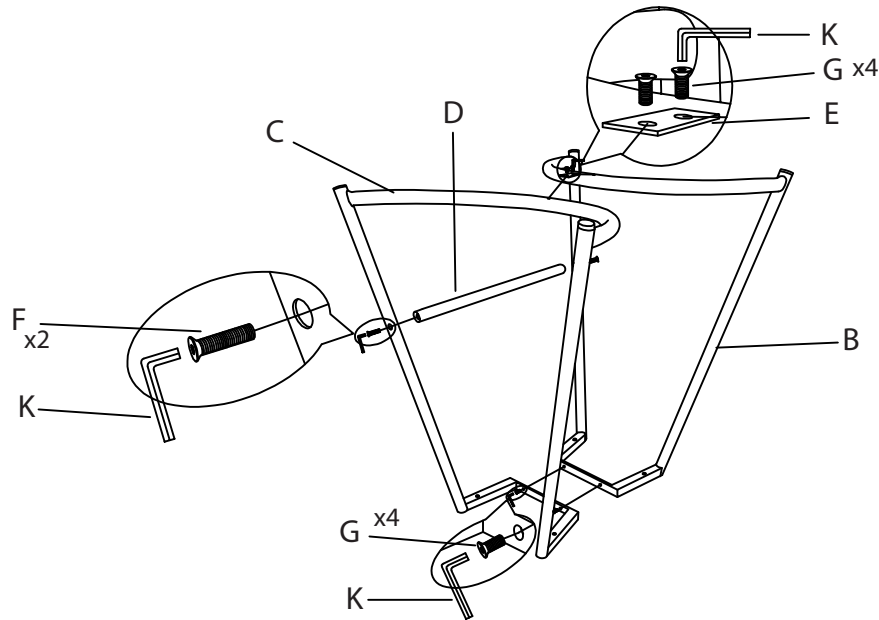
Part # B26-CECE XX+XX

23-0208

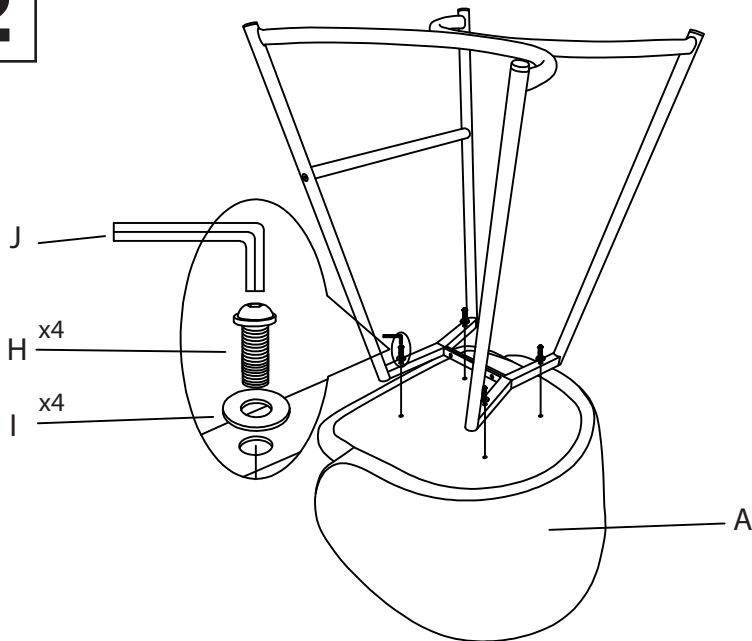
PARTS



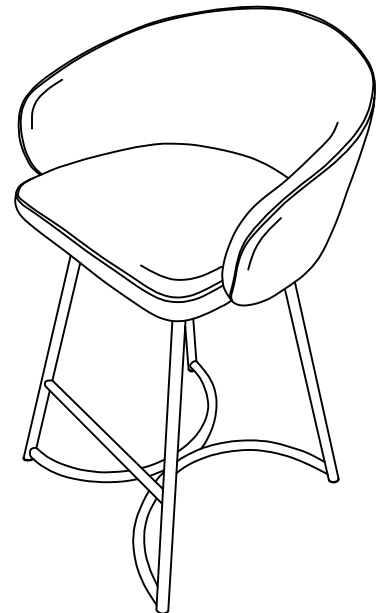
1



2



3



Do not over tighten.
Do not use power tools to assemble.