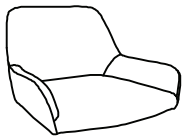


Daniella Counter Stool

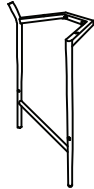
Part # B24-DNLA XXXX

19-0103

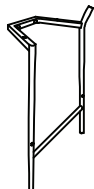
PARTS



A



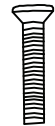
B



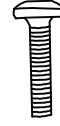
C



x2
D



x4
(M6x30mm)
E



x6
(M6x35mm)
F

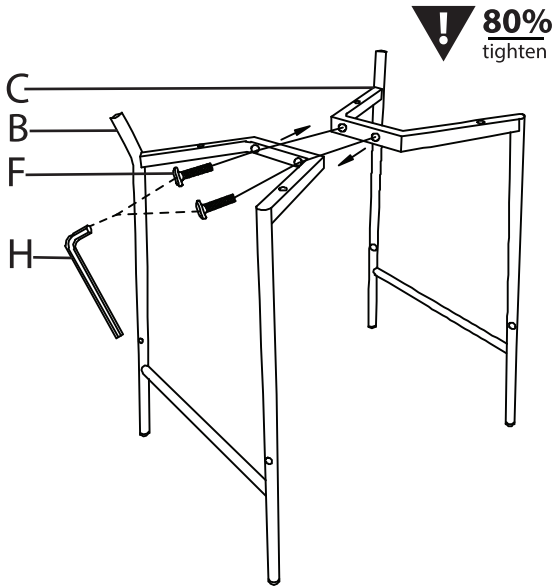


x4
G

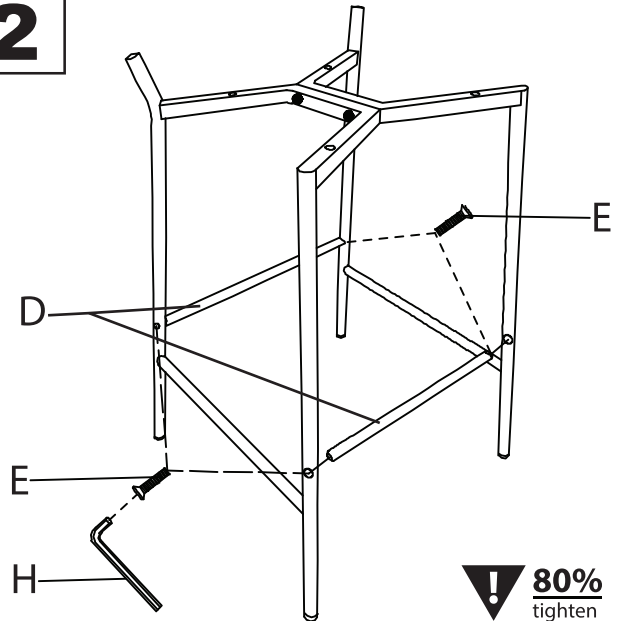


x1
H

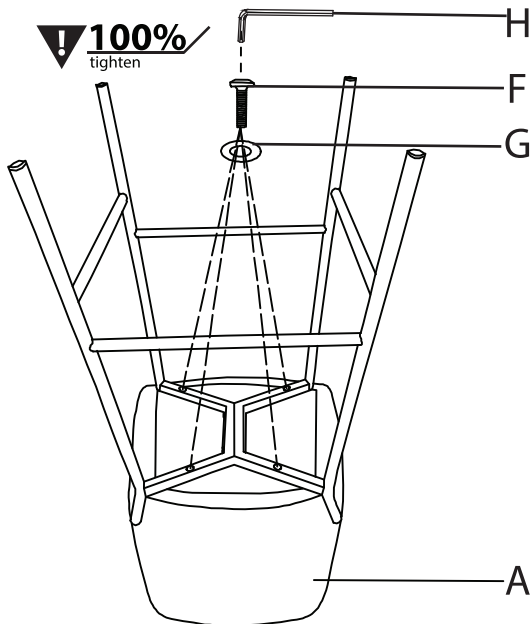
1



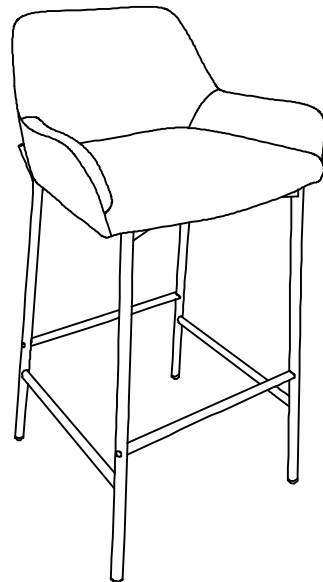
2



3



4



Do not over tighten.
 Do not use power tools to assemble.