



Vendor Information	
Vendor Name:	LSMX1
Vendor Code:	V-005852

Living Space Information	
LS SKU:	313968
LS product Name:	DUA II SMOKE CHAIR
Vendor Model #:	1130-CH-DU-SMO
Vendor Collection:	DUA II

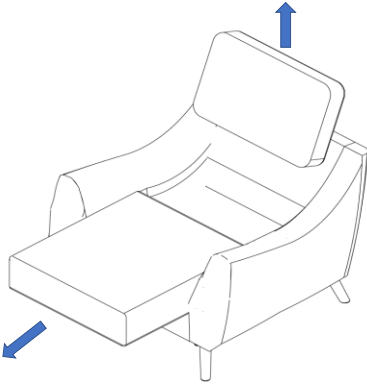
CODE	PART #	DESCRIPTION	SHIPS IN 48 HRS	QUANTITY	PRICING	NOTES
A	METALEGC	METAL LEG FOR CANELA	YES	4		
B	ALLEN532	LLAVE ALLEN 5/32	YES	1		
C	SCW14201	1/4-20X1 BUTTON SOCKETT	YES	16		

LIVING SPACES		
A	METALEGC	X4
B	ALLEN532	ALLEN 5/32" X1
C	SCW14201	Ø 1/4-20" X 1" L X16
1		X1

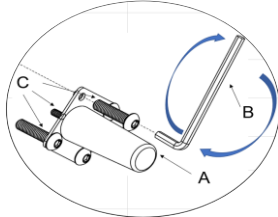
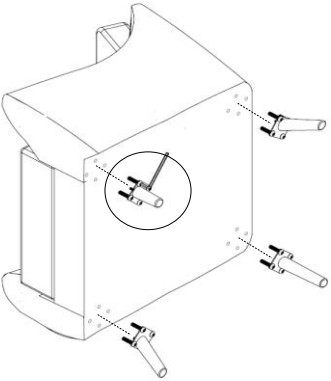
DUA CHAIR

STEP 1:

REMOVE CUSHIONS



STEP 2:



TURN RIGHT
ONLY USE THE HAND



WARNING:
ONLY USE THE HAND
TOOLS PROVIDED

