



Vendor Information	
Vendor Name:	LSMX1
Vendor Code:	V-005852

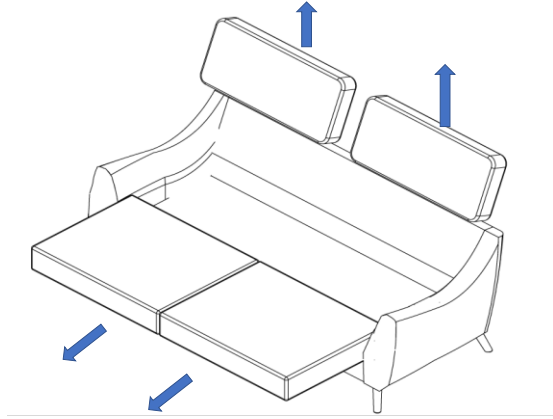
Living Space Information	
LS SKU:	313967
LS product Name:	DUA II SMOKE SOFA
Vendor Model #:	1129-S-DU-SMO
Vendor Collection:	DUA II

CODE	PART #	DESCRIPTION	SHIPS IN 48 HRS	QUANTITY	PRICING	NOTES
A	METALEGC	METAL LEG FOR CANELA	YES	4		
B	LEGCANCE	LEG CANELA CENTRAL	YES	1		
C	ALLEN532	LLAVE ALLEN 5/32	YES	1		
D	SCW14201	1/4-20X1 BUTTON SOCKETT	YES	16		

LIVING SPACES		
A	METALEGC	X4
B	LEGCANCE	X1
C	ALLEN532	ALLEN 5/32" X1
D	SCW14201	Ø 1/4-20" X 1" L X16
1		X1

DUA SOFA

STEP 1: REMOVE CUSHIONS



STEP 2:

