





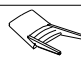
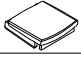


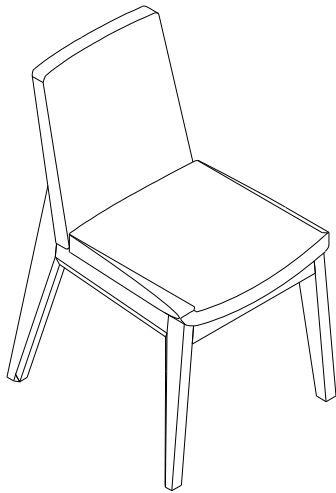


**NATE+  
JEREMIAH**  
FOR LIVING SPACES

A	PD5614-66-HD-A	 X10 Ø5/16"x19x2mm
B	PD5614-66-HD-B	 X10 Ø5/16"x12x2mm
C	PD5614-66-HD-C	 X4 Ø5/16"x12mm
D	PD5614-66-HD-D	 X2 Ø5/16"x2"L
E	PD5614-66-HD-E	 X4 Ø5/16"x3-1/4"L
F	PD5614-66-HD-F	 X1 Wrench 12mm
1	PD5614-66CB	 X1
2	PD5614-66SF	 X1
3L	PD5614-66LL	 X1
3R	PD5614-66RL	 X1

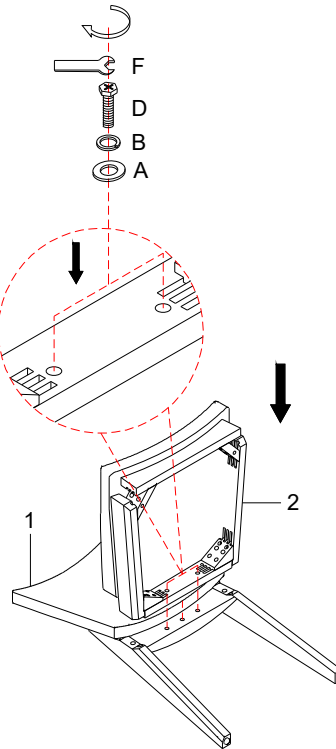
VOYAGE



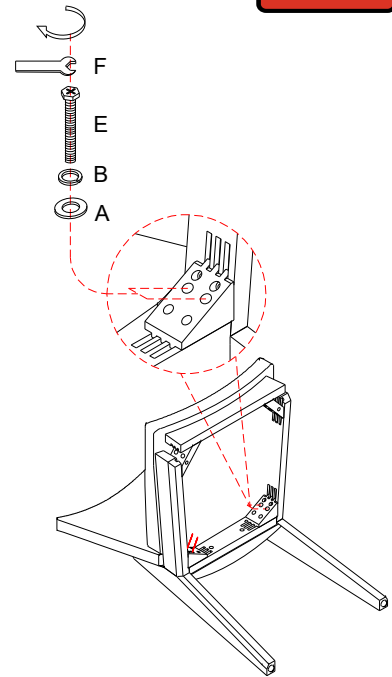
313458/D5614-66  
Upholstered Dining Chair BNJ



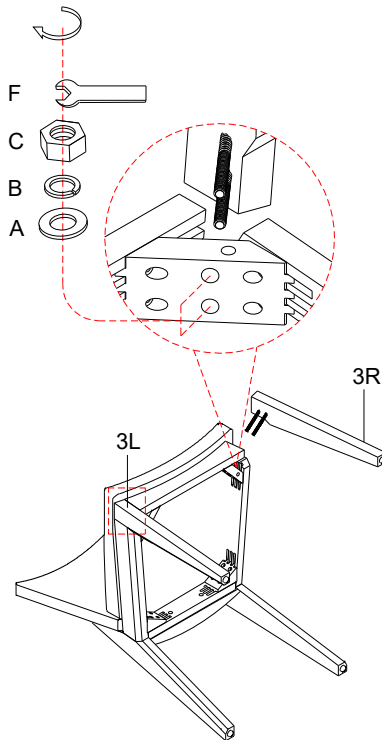
①



②

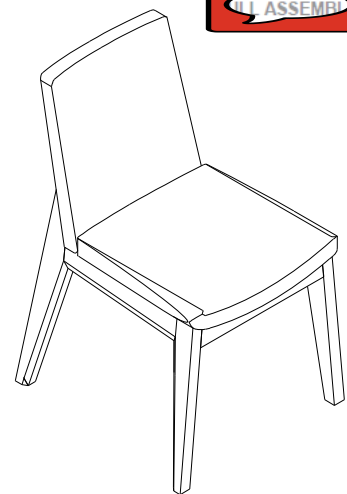


③



④

Note :Leave all bolts finger-tight and place the chair on a flat level surface. Push down on the chair seat, to make sure chair legs are all positioned evenly on the surface. Finally, fully tighten all bolts.



WARNING  
USE ONLY THE HAND  
TOOLS PROVIDED