

NATE+ JEREMIAH

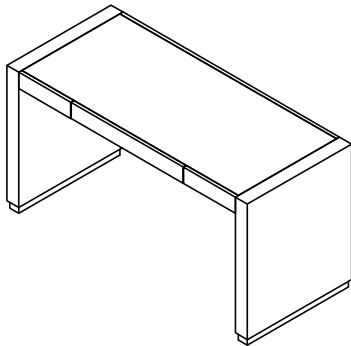
FOR LIVING SPACES



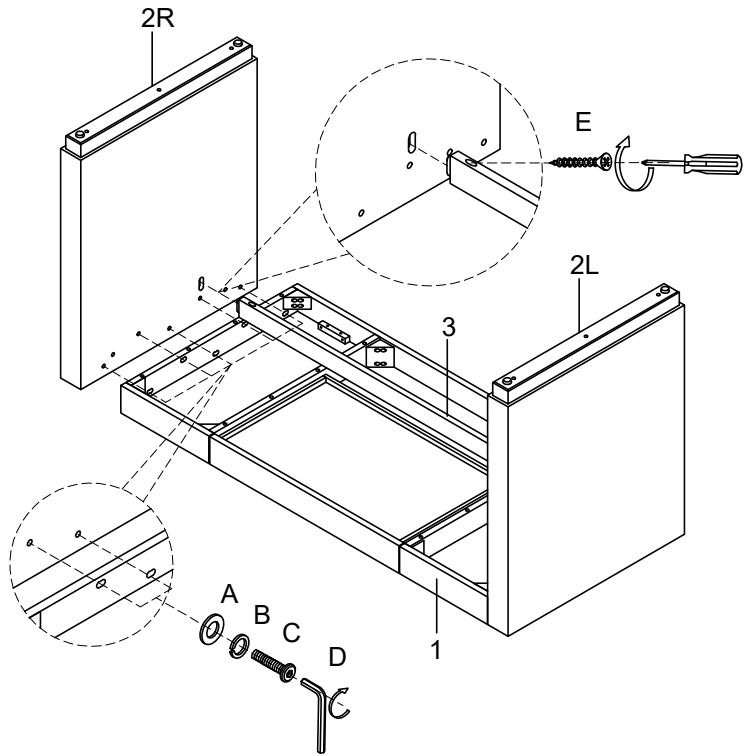
A	PH5614-05HD	X10 Ø5/16"x19x2mm
B	PH5614-05HD	X10 Ø5/16"x12x2mm
C	PH5614-05HD	X10 Ø5/16"x3"L
D	PH5614-05HD	X1 4mm
E	PH5614-05HD	X2 #4x45mm
1	PH5614-05TP	X1
2L	PH5614-05LG1	X1
2R	PH5614-05LG2	X1
3	PH5614-05SR	X1

TOOLS REQUIRED (NOT PROVIDED):
PHILLIPS SCREW DRIVER

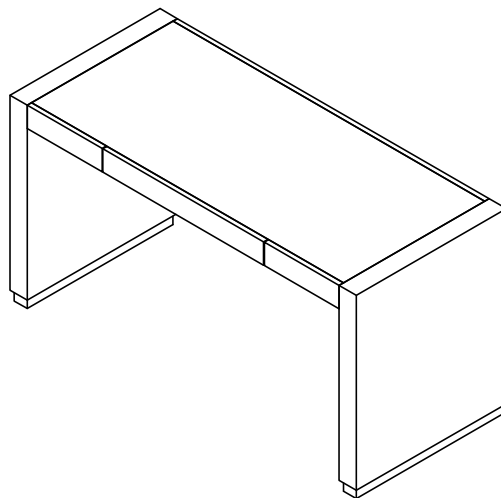
VOYAGE



①



②



313416/H5614-05
 60" Writing Desk BNJ



WARNING:
 USE ONLY THE HAND
 TOOLS PROVIDED