


MARTIN[®]

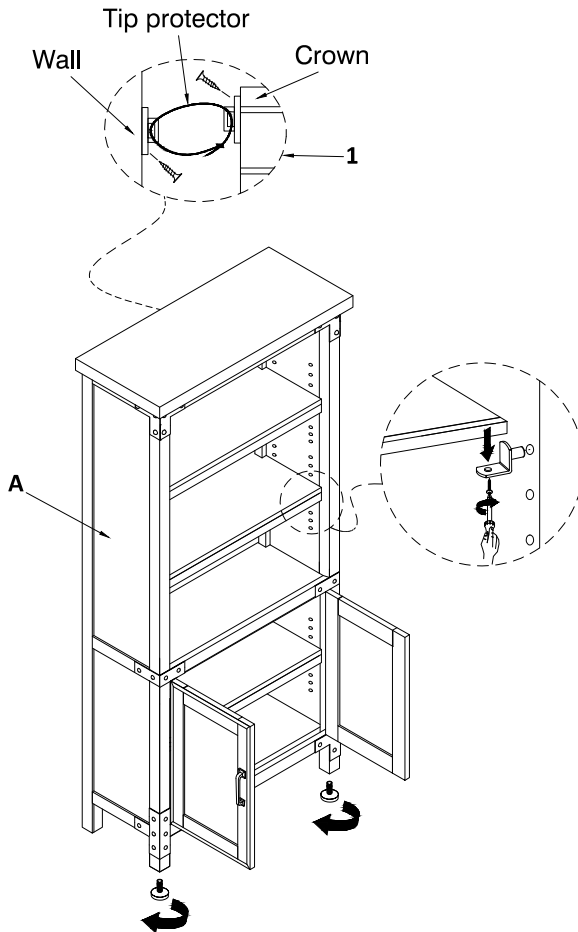
FURNITURE

SET-UP INSTRUCTIONS FOR ITEM
IMAD3472D BOOKCASE WITH DOORS
 info@martinfurniture.com

Nº:	Parts List	Q'TY
A		1 PC

Nº:	Parts List	Q'TY
1	 Furniture Tipping Restraint	1 SET

Caution: Please read all instructions before assembly and check the carton for any parts that may have come loose during shipment.
 It is recommended to **use two or more people during the assembly process.**



1

Anti-tip hardware kit must always be used to prevent the console from tipping. Attach anti-tip restraint at top of the console inline to meet attachment on wall.

Screw anti-tip into wall stud or use appropriate anchor for the type of wall if not drywall.

2

Shelves are secured in place with screws through a metal shelf pin for packing and shipping. In order to adjust the shelf remove the screw with Philips head screwdriver (not included) and reposition to desired height.

Tool Required: Philip Screw Driver (not provided)

3

Adjust leveler on the front leg if needed.

CARING FOR YOUR FURNITURE

- Use a soft, clean cloth that will not scratch the surface when dusting.
- Use of furniture polishes are not necessary. Should you choose to use polishes, test in an inconspicuous area first.
- Using solvents of any kind on your furniture may damage your furniture finish.
- Never use water to clean your furniture as it may cause damage to the finish.
- Always use coasters under beverage glasses and flowerpots.
- Liquid spills should be removed immediately. Use a soft, clean cloth, blot the spill gently. Avoid rubbing.
- Direct sunlight may damage wood finishes.
- Extreme temperature and humidity changes can cause warping, shrinking and splitting of wood furniture. It is best to keep furniture in a climate controlled environment.
- Always use protective pads under hot dishes and plates. Heat can cause chemical changes that may create spotting within the furniture finish.
- In the event that your furniture is stained or otherwise damaged during use, we recommend that you call a professional to repair your furniture.