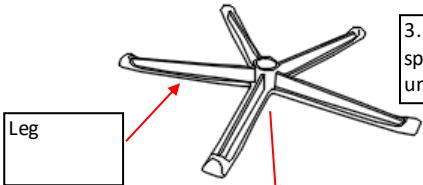


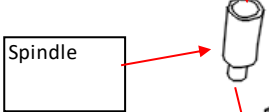
Assembly Instructions for Jasper Swivel Chair

1. Remove the leg and accessories from the box.



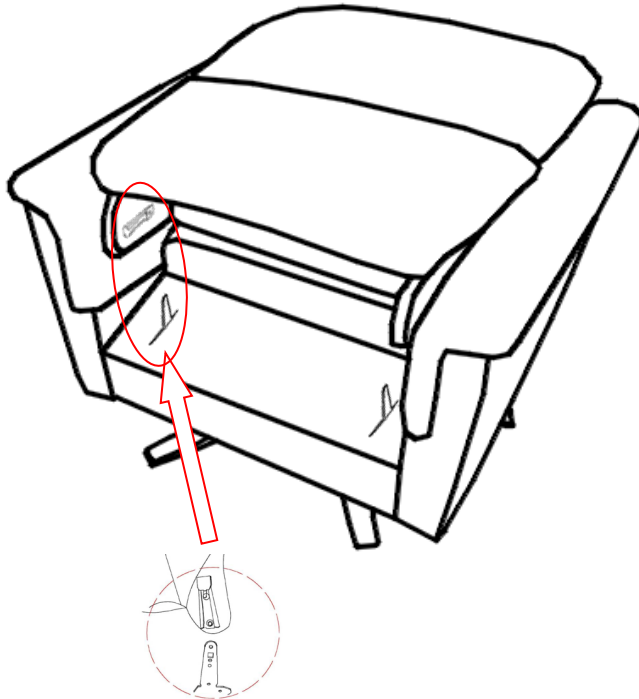
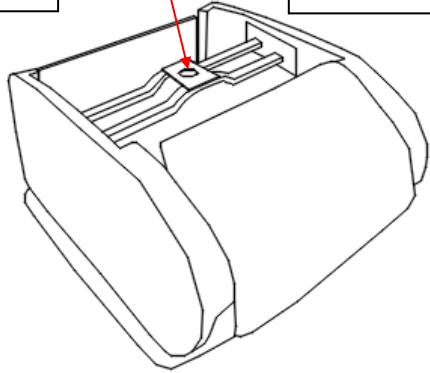
Leg

3. Assemble the leg onto the spindle and fasten by turning until tight.



Spindle

2. Insert the spindle into the hole on the bottom of the mechanism under the seat.



4. To apply the back onto the base, put base on the ground (upright), then slide the metal receiver on the back over the metal post on the base. Press both sides of back firmly downward until the receivers are firmly locked in place on

Parts List	
Name	Qty.
Leg	1
Spindle	1



LIVING SPACES